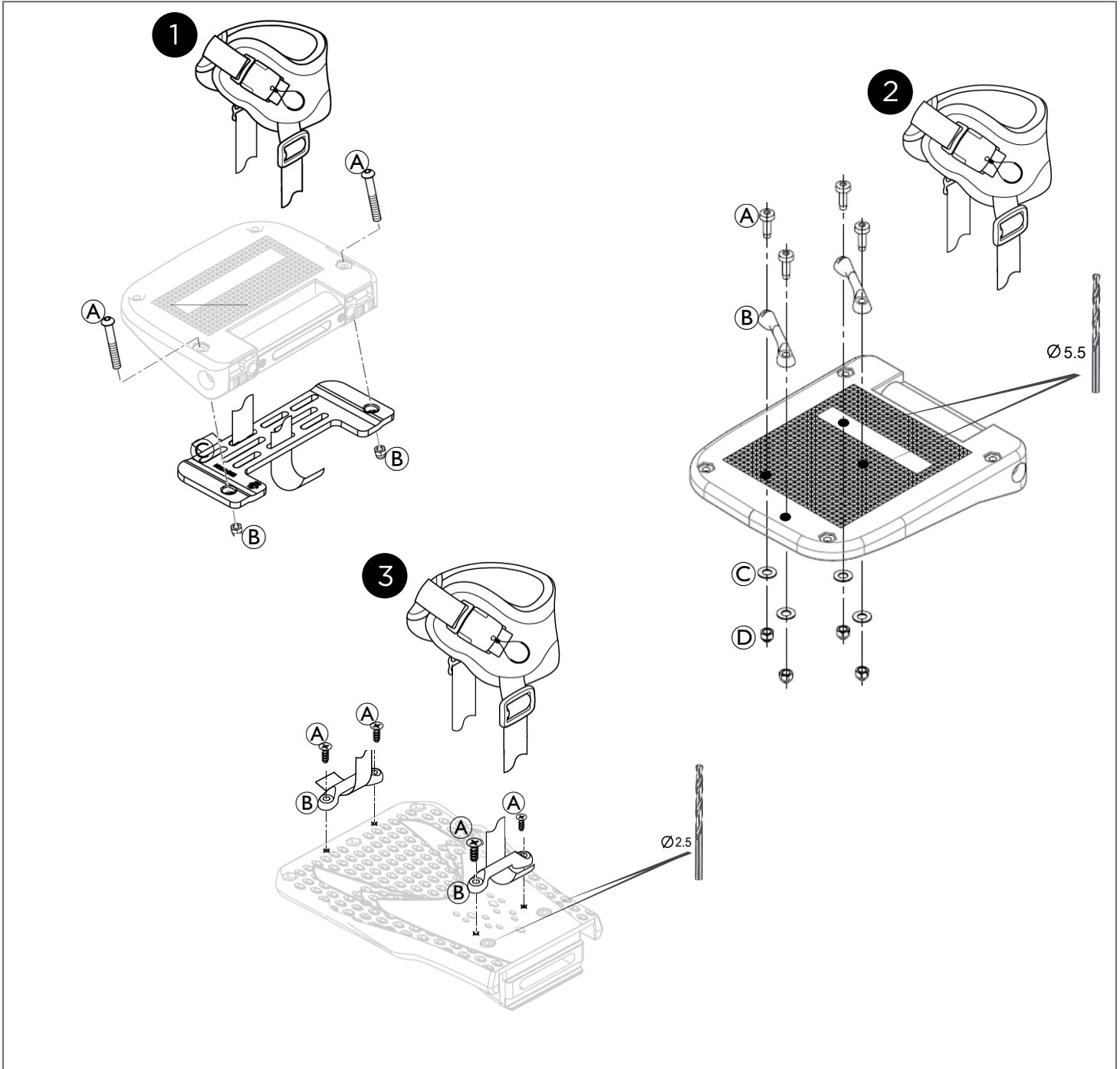
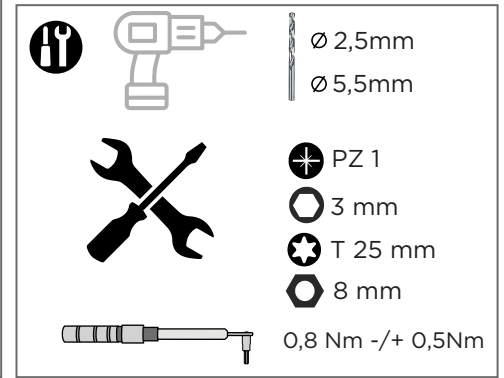


Ankle huggers for the **Action® Range**



Invacare France
Operations SAS
Route de St Roch
37230 Fondettes, France



Yes, you can.