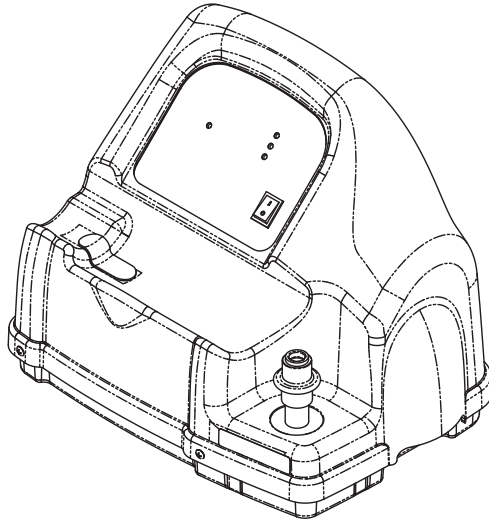


Invacare® HomeFill® II Oxygen System

Model IOH200AW



en	Compressor User Manual	3
el	Συμπιεστής Εγχειρίδιο χρήσης	41
es	Compresor Manual del usuario	89
fr	Compresseur Manuel d'utilisation.....	135
it	Compressore Manuale d'uso.....	183
nl	Compressor Gebruiksaanwijzing	227
pt	Compressor Manual de utilização.....	271

This manual **MUST** be given to the user of the product.
BEFORE using this product, this manual **MUST** be read and saved for future reference.



Yes, you can.®

©2020 Invacare Corporation

All rights reserved. Republication, duplication or modification in whole or in part is prohibited without prior written permission from Invacare. Trademarks are identified by™ and®. All trademarks are owned by or licensed to Invacare Corporation or its subsidiaries unless otherwise noted.

Platinum is a registered trademark in the U.S.A., Europe and Australia.

3-in-1 oil is a registered trademark of American Home Products Corporation.

WD-40 is a registered trademark of the WD-40 Company.

Updated versions of this manual are available on www.invacare.com.

Making Life's Experiences Possible is a registered trademark in the U.S.A.

Contents

This manual MUST be given to the user of the product.
BEFORE using this product, this manual MUST be read and saved
for future reference.

1 General	4
1.1 Symbols	4
1.2 Intended Use	5
1.3 Indications For Use	6
1.4 Replacement Parts	6
1.5 Contraindications	6
1.6 Warranty	6
2 Safety	7
2.1 General Guidelines	7
2.2 Label Locations	10
2.3 Provider Information	12
2.4 Double-Insulated Products	12
2.5 EMC Information	12
3 Setup	14
3.1 Unpacking	14
3.2 Compressor Initial Setup Checklist	14
3.3 Choosing a Location	15
3.4 Transporting the Compressor	16
3.5 Installing the Power Cord	16
3.6 Connecting the Compressor to the Concentrator	17
3.6.1 Connecting the Compressor to Invacare Concentrators	17
3.6.2 Connecting the Compressor to Non-Invacare Concentrators	17
4 Usage	18
4.1 Compressor Operation Checklist	18
4.2 Cylinder Prefill Inspection	19
4.3 Connecting the Cylinder to the Compressor	21

4.4 Disconnecting the Cylinder from the Compressor	22
4.5 Turning the Compressor On and Off	24
5 Maintenance	26
5.1 Maintenance Info	26
5.2 Wear and Tear	26
5.3 Service Life	26
5.4 Cleaning the Compressor Filter	26
5.5 Cleaning the Cabinet	27
5.6 Replacing the Fuse	28
6 After Use	29
6.1 Disposal	29
7 Troubleshooting	30
7.1 Indicator Lights	30
7.2 Troubleshooting	31
8 Technical Data	34
8.1 Technical Description	34
8.2 Cylinder Fill Times	34
8.3 Specifications	35
8.4 Electromagnetic Compliance (EMC)	36

1 General

1.1 Symbols

Symbols in the Manual

Signal words are used in this manual and apply to hazards or unsafe practices which could result in personal injury or property damage. See the information below for definitions of the signal words.



DANGER!

– Danger indicates an imminently hazardous situation which, if not avoided, will result in death or serious injury.



WARNING!

– Warning indicates a potentially hazardous situation which, if not avoided, could result in death or serious injury.



CAUTION!

– Caution indicates a potentially hazardous situation which, if not avoided, may result in property damage or minor injury or both.



IMPORTANT

– Indicates a hazardous situation that could result in damage to property if it is not avoided.



Gives useful tips, recommendations and information for efficient, trouble-free use.

Symbols on the Product

The following symbols are found on the compressor, compressor packaging or the oxygen cylinder.



Read the Manual (Compressor)



The color of the symbol background is blue on product labels.



Read the Manual (Cylinder)



Electrical Hazard



Alternating Current



Type BF equipment — Applied Parts



Power switch “ON”



Power switch “OFF”



DO NOT smoke



No Open Flame



Class II, Double Insulation. Refer to Double Insulated products in the Safety section of the manual.



Keep dry in transport or storage and during use

IP21

Protected against solid foreign objects of 12.5 mm diameter and greater.

Protected against vertically falling water drops.



Fuse



Oxidizer



The color of the symbol background is yellow on product labels.



Non-flammable gas, class 2 type (oxygen)



The color of the symbol background is green on product labels.



Transport and Storage Temperature



Transport and Storage Humidity



Recycle this product. Refer to Disposal of Equipment and Accessories in the After Use section of the manual.



Complies With Applicable EU Directives Including Medical Device Directive (MDD) (93/42/EEC)



Authorized Representative in the European Community



Manufacturer

1.2 Intended Use

The Invacare HomeFill compressor was designed to be used only with oxygen concentrators that meet the input specifications listed in 8.3 *Specifications, page 35*.

DO NOT use the Invacare HomeFill compressor with anything other than an oxygen concentrator that meets the compressor input requirements.

The intended use of an Invacare HomeFill compressor is an accessory device to an oxygen concentrator that enables the patient to refill custom portable oxygen cylinders for personal use.

This product is intended for single patient use in the indoor homecare environment only and is not to be used for bulk cylinder refilling.

No specific product knowledge or training is required, other than what is contained in this manual, to operate the product.

It is not intended for supplying oxygen therapy during refilling.

This product is intended to be used by or under adult supervision only after reading and understanding the instructions and warnings of this user manual.



WARNING!

- The use of this device is limited to refilling a specific patient's own oxygen cylinders. The designated cylinders **MUST** be used **ONLY** by the specific oxygen patient and are not to be distributed to any other individual for any purpose.
- No other use of this device is indicated.

1.3 Indications For Use

Indicated to enable the patient to refill custom portable oxygen cylinders for personal use.

1.4 Replacement Parts

The following replacement parts are available from Invacare:

- Supply Line, Part number 1105177
- Power Cord, Part number 1085605



These parts are base models. Please contact Invacare or your provider for country specific part numbers.

1.5 Contraindications

There are no known contraindications.

1.6 Warranty

Terms and conditions of the warranty are part of the general terms and conditions particular to the individual countries in which this product is sold.

2 Safety

2.1 General Guidelines

**DANGER!****Risk Of Death, Injury, Or Damage**

Improper use of the product may cause death, injury or damage. This section contains important information for the safe operation and use of this product.

- DO NOT use this product or any available optional equipment without first completely reading and understanding these instructions and any additional instructional material such as user manuals, service manuals or instruction sheets supplied with this product or optional equipment.
- If you are unable to understand the warnings, cautions or instructions, contact a healthcare professional, provider or technical personnel before attempting to use this equipment.
- Check ALL external components and carton for damage. In case of damage, or if the product is not working correctly, contact a technician or Invacare for repair.
- In order to ensure the safe installation, assembly and operation of the HomeFill Compressor these instructions MUST be followed.
- THE INFORMATION IN THIS DOCUMENT IS SUBJECT TO CHANGE WITHOUT NOTICE.

**DANGER!****Risk Of Death, Injury, Or Damage From Fire**

Textiles, oil or petroleum substances, grease, greasy substances and other combustibles are easily ignited and burn with great intensity in oxygen enriched air and when in contact with oxygen under pressure. To avoid fire, death, injury or damage:

- DO NOT SMOKE while using this device.
- DO NOT use near OPEN FLAME or IGNITION SOURCES.
- DO NOT use any lubricants on the compressor unless recommended by Invacare.
- NO SMOKING signs should be prominently displayed.
- Avoid creation of any spark near oxygen equipment. This includes sparks from static electricity created by any type of friction.
- Keep all matches, lighted cigarettes or other sources of ignition out of the room in which this compressor is located and away from where oxygen is being delivered.
- Keep the oxygen tubing, cord, and compressor out from under such items as blankets, bed coverings, chair cushions, clothing, and away from heated or hot surfaces including space heaters, stoves, and similar electrical appliances.



DANGER!

Risk Of Death, Injury, Or Damage From Fire

Textiles, oil or petroleum substances, grease, greasy substances and other combustibles are easily ignited and burn with great intensity in oxygen enriched air and when in contact with oxygen under pressure. To avoid fire, death, injury or damage:

- DO NOT allow oil from your hands or other sources to come into contact with the compressor coupling or cylinder fittings. These substances may become flammable in the presence of oxygen and cause injury. Avoid touching the cylinder fitting whenever possible. Example of items to avoid are hand creams or lotions, cooking oils, suntan oils or sunblocks and similar oily products. If you use these types of products Invacare suggests you wash your hands prior to using the HomeFill unit. If the cylinder fitting should come in contact with such substances it should be cleaned off with a damp cloth prior to connecting it to the compressor.
- NEVER oil or lubricate the compressor coupler or cylinder fittings. NEVER use any penetrating oil or lubricant such as WD-40® or 3-in-1 Oil®. If connection difficulty is experienced verify that the cylinder fitting is being inserted straight down into the compressor coupler. If continued difficulty is experienced contact your supplier for assistance.



DANGER!

Risk of Electric Shock

This unit contains moving and high pressure components. There are no user serviceable parts inside the cover. To avoid electric shock, injury or death:

- DO NOT remove the cover.
- Refer servicing to qualified personnel.



WARNING!

Risk of Serious Injury or Damage

Use of non-Invacare accessories may result in serious injury or damage.

- Invacare products are specifically designed and manufactured for use in conjunction with Invacare accessories. Accessories designed by other manufacturers have not been tested by Invacare and are not recommended for use with Invacare products.
- No modifications of this equipment is allowed.
- DO NOT use non-Invacare accessories.
- To obtain Invacare accessories, contact Invacare by phone or at www.invacare.com

**WARNING!****Risk of injury or damage**

Blocking the air flow into and out of the compressor may cause injury or damage.

- NEVER block the air openings of the product or place it on a soft surface, such as a bed or couch, where the air opening may be blocked.
- Keep the openings free from lint, hair and similar foreign items.

**WARNING!****Risk of Injury or Damage**

A damaged product may malfunction and cause injury or damage. To avoid injury or damage:

- DO NOT get the compressor wet.
- If the compressor has a damaged cord or plug, if it is not working properly, if it has been dropped or damaged, or submersed in water, call a qualified technician for examination and repair.

**WARNING!**

- DO NOT use the compressor outdoors. Indoor use only.
- If any leakage of the oxygen cylinder is detected DO NOT attempt to use the cylinder. Turn the flow selector knob on the regulator to “Off”. If leakage persists, place the cylinder outdoors and notify your Home Health Care Provider or Service Representative of this condition.
- Children should ALWAYS be supervised around the HomeFill unit. When used with the HomeFill table or similar elevated support surfaces, a child could pull over any such table causing the unit to fall. Failure to observe this warning may result in personal injury or product damage.

**WARNING!****Risk of injury or damage**

The HomeFill is equipped with a high pressure relief valve to ensure the user’s safety. When activated, this safety feature will make an extremely loud noise. To avoid injury or damage:

- If this noise occurs, turn the unit Off and contact your Home Health Care Provider or Service Representative.



WARNING!

Risk of death, injury or damage

If improperly positioned and secured, the power cord and interconnect hose can cause injury due to tripping, falling, and strangulation. Product damage may also occur.

- Properly store and position electrical cords and/or tubing to prevent tripping and strangulation hazards.
- Avoid positioning power cords across areas of high traffic.
- Before moving or repositioning either the compressor or concentrator, ALWAYS disconnect the AC power cords and the interconnect hose between the compressor and concentrator.

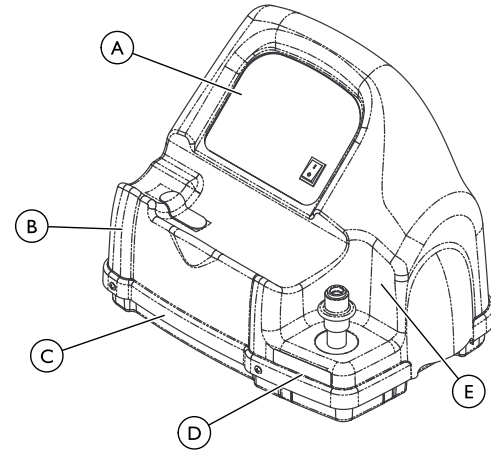


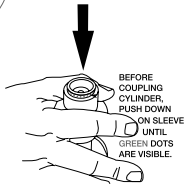
CAUTION!

Statutory law restricts this device sale to or on the order of a medical practitioner licensed by a governmental agency where he/she practices.

- ONLY a licensed medical practitioner may order the purchase or use of this device.

2.2 Label Locations



<p>(B)</p>	<p>⚠ DANGER Risk of Death, Injury or Damage from Fire Keep all connections free of oil and grease to avoid violent ignition. See user manual before cleaning. 1075220-D-00</p>
<p>(C)</p>	<p>⚠ DANGER Risk of Electric Shock DO NOT REMOVE UNIT COVER This unit contains moving and high pressure components. Manufacturer Service Only. 1075221-C-01</p>
<p>(D)</p>	<p>⚠ DANGER Risk of Death, Injury or Damage from Fire Keep all connections free of oil and grease to avoid violent ignition. See user manual before cleaning. Never oil or lubricate coupling. Cylinders filled on this unit MUST be labeled "Contents of this cylinder are the product of an oxygen concentrator." 1075238-D-00</p>
<p>(E)</p>	<div style="display: flex; justify-content: space-between;"> <div style="width: 45%;"> <p>⚠ DANGER</p> <p>Risk of Death, Injury or Damage from Fire Keep all connections free of oil and grease to avoid violent ignition. See user manual before cleaning. Never oil or lubricate coupling. Cylinders filled on this unit MUST be labeled "Contents of this cylinder are the product of an oxygen concentrator.".</p> <p>Risk of Electric Shock DO NOT REMOVE UNIT COVER This unit contains moving and high pressure components. Manufacturer Service Only.</p> </div> <div style="width: 45%; text-align: center;">  <p>BEFORE COUPLING CYLINDER, PUSH DOWN ON SLEEVE UNTIL GREEN DOTS ARE VISIBLE.</p> <p><small>1075238-01</small></p> </div> </div>

2.3 Provider Information



Invacare recommends leaving a full cylinder of oxygen with the patient after setting up the HomeFill compressor.

Before leaving a HomeFill Compressor with a user, the following checklist **MUST** be completed:

- Make sure the pressure test on cylinder has not expired.
- Check the EMC section for operational information and possible RF issues. Refer to EMC Information.
- Instruct the user on the safe operation of the concentrator and review all warnings.
- Instruct the user on the safe operation of the HomeFill compressor and review all warnings.
- Leave a full cylinder of oxygen with the user.
- Leave a copy of all warnings and filling instructions with the user.

2.4 Double-Insulated Products



CAUTION!

– DO NOT unplug the power cord by pulling on the cord. To unplug, grasp the plug not the cord, otherwise damage may occur.

In a double-insulated product, two systems of insulation are provided instead of grounding. No grounding means is required on a double-insulated product, nor is a means for grounding to be added to the product. A double-insulated product is marked with the words “DOUBLE INSULATION” or “DOUBLE INSULATED” or the symbol:



2.5 EMC Information



WARNING!

Risk of Injury or Damage

To reduce the risk of injury or product damage from interference with wireless equipment:

- Keep the compressor at least 9.8 ft (3.0 m) away from wireless communication equipment such as wireless home network devices, mobile phones, cordless phones and base stations, walkie-talkies, etc.



WARNING!

– Use of accessories and cables other than those specified or provided by Invacare could result in increased electromagnetic emissions or decreased electromagnetic immunity of this equipment and result in improper operation.

Medical Electrical Equipment needs to be installed and used according to the EMC information in this manual.

This equipment has been tested and found to comply with EMC limits specified by IEC/EN 60601-1-2 for Type BF equipment. These limits are determined to provide reasonable protection against electromagnetic interference in a typical home healthcare environment. Use of this equipment in an environment with higher levels of interference could affect the accuracy of the oxygen

concentration in the cylinder. This equipment is not intended for use in a professional healthcare environment.

Portable and mobile RF communications equipment can affect the operation of this equipment. The compressor may be stacked on top on an Invacare HomeFill compatible oxygen concentrator during setup. The compressor operation should be observed to verify normal cylinder filling in either situation.

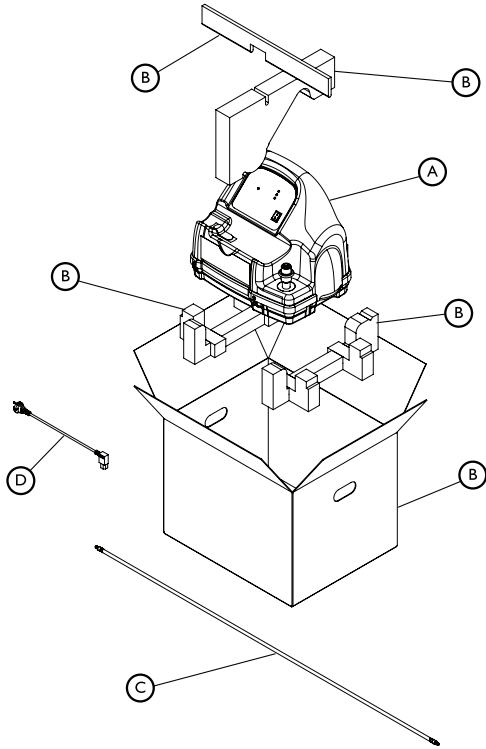
Other devices may experience interference from even the low levels of electromagnetic emissions permitted by the above standard. To determine if the emissions from the compressor are causing the interference, turn the compressor Off. If the interference with the other device operation stops, then the compressor is causing the interference. In such rare cases, interference may be reduced or corrected by one of the following measures:

- Reposition, relocate, or increase the separation between the devices.
- Connect either line powered device to a different electrical power circuit.

For additional information, refer to *8.4 Electromagnetic Compliance (EMC)*, page 36.


3 Setup

3.1 Unpacking





DESCRIPTION	
Compressor Assembly	A
Packaging Assembly	B
Supply Line Assembly	C
Power Cord	D
User Manual (not shown)	N/A

1. Check for any obvious damage to the carton or its contents. If damage is evident, notify the carrier, or your local provider.
2. Remove all loose packing from the carton.
3. Carefully remove all of the components from the carton.

 Unless the compressor is to be used IMMEDIATELY, leave the compressor in its packaging for storage until use of the compressor is required.

3.2 Compressor Initial Setup Checklist

 Providers ONLY — Refer to Dealer Information in the Safety section of this manual before performing this procedure.

 Users ONLY — Contact your Invacare provider or Invacare for assistance with the setup procedure and to report unexpected operation or events.

Before operating the HomeFill Compressor for the first time, complete the following checklist:

- Choose a location for the compressor.
- Transport the compressor to the desired location.

- Connect the power cord to the compressor.
- Connect the compressor to the concentrator.

3.3 Choosing a Location



DANGER!

Risk Of Death, Injury, Or Damage From Fire

Textiles, oil or petroleum substances, grease, greasy substances and other combustibles are easily ignited and burn with great intensity in oxygen enriched air and when in contact with oxygen under pressure. To avoid fire, death, injury or damage:

- DO NOT SMOKE while using this device.
- DO NOT use near OPEN FLAME or IGNITION SOURCES.
- DO NOT use any lubricants on the compressor unless recommended by Invacare.
- NO SMOKING signs should be prominently displayed.
- Avoid creation of any spark near oxygen equipment. This includes sparks from static electricity created by any type of friction.
- Keep all matches, lighted cigarettes or other sources of ignition out of the room in which this compressor is located and away from where oxygen is being delivered.
- Keep the oxygen tubing, cord, and compressor out from under such items as blankets, bed coverings, chair cushions, clothing, and away from heated or hot surfaces including space heaters, stoves, and similar electrical appliances.

The compressor should be at least three inches (7.6 cm) away from walls, draperies or furniture to ensure sufficient air flow.

Avoid placing the compressor next to heaters, radiators or hot air registers.

DO NOT use in a closet.

The compressor should sit on a hard flat stable surface, such as a table or the Ready Rack.



The HomeFill Ready Rack is sold separately and used to position the HomeFill compressor on top of a Perfecto₂ or Platinum[®] oxygen concentrator. Refer to the HomeFill Ready Rack instruction sheet part numbers 1148363 and 1134824 for more information.

3.4 Transporting the Compressor



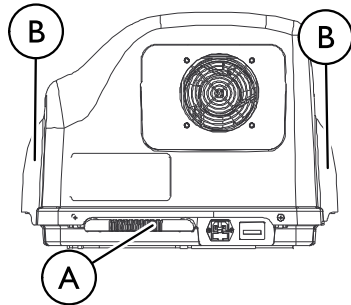
WARNING!

– NEVER transport a compressor with a cylinder connected to or stored on the compressor, otherwise injury or damage can occur.



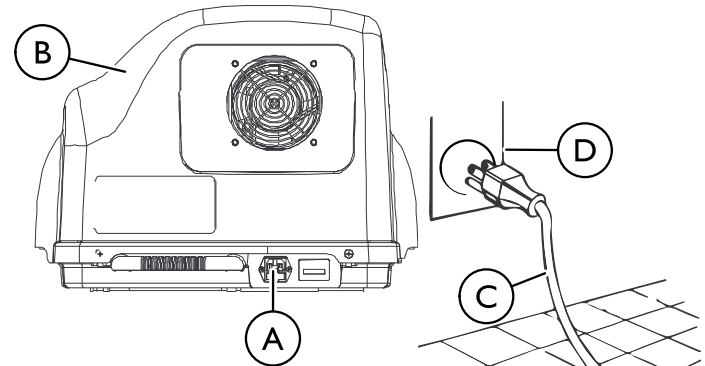
CAUTION!

– When transporting the compressor, be careful not to bump the compressor or the connectors into obstacles. Otherwise, damage to the compressor may occur.



1. There are two methods to safely transport the compressor:
 - One Hand - Grasp the hand grip **A** at the bottom rear of the compressor.
 - Two Hands - Grasp the hand grips **B** on the sides of compressor.

3.5 Installing the Power Cord



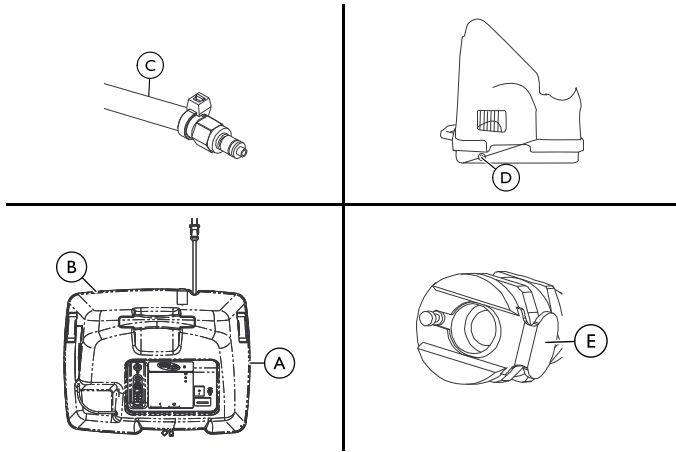
1. Choose a proper location. Refer to Choosing a Location in this section of the manual.
2. Make sure the power switch is in the Off (O) position.
3. Plug the power cord into the electric connector **A** in the back of the compressor **B**.
4. Plug the opposite end of the power cord **C** into the wall outlet **D**.
5. Leave a minimum of 3 in (7.6 cm) clearance to the power cord ends for disconnection access.



The power inlet acts as the mains disconnection device to remove all power to the unit when the line cord is disconnected.

3.6 Connecting the Compressor to the Concentrator

3.6.1 Connecting the Compressor to Invacare Concentrators



1. Insert one end of the interconnect hose © into the outlet fitting ② on the back of the concentrator ①.
2. Insert the opposite end of the interconnect hose into the inlet fitting ④ on the side of the compressor.



The metal tabs ⑤ on the concentrator outlet fitting and the compressor inlet fitting will pop out with an audible “click” when the end of the interconnect hose is properly installed.

3.6.2 Connecting the Compressor to Non-Invacare Concentrators

1. Refer to the oxygen concentrator user manual outlet gas specifications to verify compatibility with the HomeFill compressor input gas requirements listed in *8.3 Specifications, page 35*.
2. Refer to the oxygen concentrator user manual for connecting instructions.

4 Usage

4.1 Compressor Operation Checklist

Each time the HomeFill Compressor is used to fill a cylinder, complete the following checklist:

- Ensure the concentrator has been On for at least thirty minutes. Refer to the concentrator User Manual.
- Perform the prefill inspection on the cylinder.
- Connect the cylinder to the compressor.
- Push the compressor power switch to the On (I) position.
- Examine the indicator lights on the control panel.
- Disconnect and remove the full cylinder.
- Push the compressor power switch to the Off (O) position.
- If filling another cylinder, repeat this checklist.

4.2 Cylinder Prefill Inspection

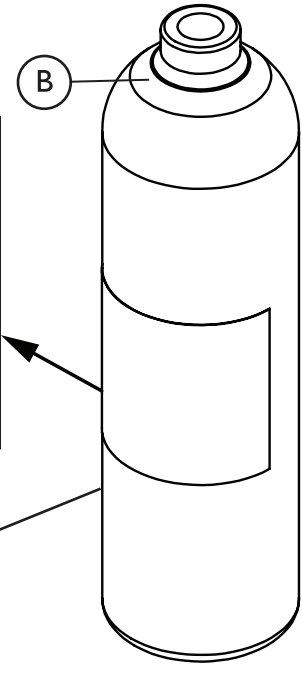


WARNING!

- ONLY use cylinders that have the Invacare HomeFill II connection and HomeFill II label.
- All cylinders MUST be inspected before attempting to fill. Otherwise, injury or damage may occur.

To identify a HomeFill II compatible cylinder (A), look for a black stripe (B) on the top of the cylinder and look for the HomeFill II label (C).

<p>GB UN1977 CLASS 2.1 OADR (GAS) 2105649 CAT 1 PED</p> <p>This cylinder is to be used with the HomeFill system. This cylinder contains 9133% oxygen. Bitte lesen Sie bitte die Beschriftung. Dieses Gas enthält 91,33% Sauerstoff. • Keep away from fire and heat. • Keep away from oil and grease. • This product is not to be used as oxygen supplement and is not intended for life-supporting or life-sustaining.</p>	<p>F UN1977 CLASS 2.1 OADR (GAS) 2105649 CAT 1 PED</p> <p>Cette bouteille doit être utilisée avec le système HomeFill. Cette bouteille contient 91,33% d'oxygène. Cettes de gazes de l'oxygène pur est 91,33%. • Tenere lontano da fiamme e calore. • Tenere lontano da oli e grassi. • Non utilizzare in modo che non sia sicuro durante un'operazione di manutenzione o di manutenzione dei tessuti.</p>
<p>CZ UN1977 CLASS 2.1 OADR (GAS) 2105649 CAT 1 PED</p> <p>Tato plyn je určen k použití se systémem HomeFill. Tato látka obsahuje kyslík o koncentraci 91,33%. • Dále se podívejte na štítek výrobku. • Toto plyn je určen k použití se systémem HomeFill. Tato látka obsahuje kyslík o koncentraci 91,33%.</p>	<p>I UN1977 CLASS 2.1 OADR (GAS) 2105649 CAT 1 PED</p> <p>Questo prodotto è da usare con il sistema HomeFill. Questo prodotto contiene 91,33% di ossigeno. • Tenere lontano da fiamme e calore. • Tenere lontano da oli e grassi. • Non utilizzare in modo che non sia sicuro durante un'operazione di manutenzione o di manutenzione dei tessuti.</p>
<p>DK UN1977 CLASS 2.1 OADR (GAS) 2105649 CAT 1 PED</p> <p>Denne flaske er til brug sammen med HomeFill systemet. Denne flaske indeholder 91,33% ilt. • Hold flasken væk fra ild og varme. • Hold flasken væk fra olie og fedt. • Hold flasken væk fra olie og fedt. • Hold flasken væk fra olie og fedt.</p>	<p>NL UN1977 CLASS 2.1 OADR (GAS) 2105649 CAT 1 PED</p> <p>Dit product is bestemd voor gebruik met het HomeFill systeem. Dit product bevat zuurstof met een zuiverheidsgraad van 91,33%. • Dit product is bestemd voor gebruik met het HomeFill systeem. Dit product bevat zuurstof met een zuiverheidsgraad van 91,33%.</p>
<p>D UN1977 CLASS 2.1 OADR (GAS) 2105649 CAT 1 PED</p> <p>Die Gasflasche ist für den Einsatz mit dem HomeFill-System vorgesehen. Dieses Gas enthält 91,33% Sauerstoff. • Halten Sie die Gasflasche von Feuer und Hitze fern. • Halten Sie die Gasflasche von Öl und Fett fern. • Halten Sie die Gasflasche von Öl und Fett fern.</p>	<p>N UN1977 CLASS 2.1 OADR (GAS) 2105649 CAT 1 PED</p> <p>Dit product is bestemd voor gebruik met het HomeFill systeem. Dit product bevat zuurstof met een zuiverheidsgraad van 91,33%. • Dit product is bestemd voor gebruik met het HomeFill systeem. Dit product bevat zuurstof met een zuiverheidsgraad van 91,33%.</p>
<p>E UN1977 CLASS 2.1 OADR (GAS) 2105649 CAT 1 PED</p> <p>Este cilindro está destinado a ser utilizado con el sistema HomeFill II. Este cilindro contiene oxígeno con una concentración del 91,33%. • Manténgase alejado de las llamas y el calor. • Manténgase alejado de los aceites y la grasa. • Manténgase alejado de los aceites y la grasa.</p>	<p>PL UN1977 CLASS 2.1 OADR (GAS) 2105649 CAT 1 PED</p> <p>Zawiera czysty tlen o czystości 91,33%. • Nie używać w pobliżu ognia i ciepła. • Nie używać w pobliżu olejów i smarów. • Nie używać w pobliżu olejów i smarów.</p>
<p>FI UN1977 CLASS 2.1 OADR (GAS) 2105649 CAT 1 PED</p> <p>Tämä pöytä on tarkoitettu käytettäväksi yhdessä HomeFill II -laitteen kanssa. Tämä pöytä sisältää happia. HomeFill II -laitteen kanssa käytettäväksi. • Pidä pöytä kaukana tulesta ja lämmästä. • Pidä pöytä kaukana öljyistä ja rasvoista. • Pidä pöytä kaukana öljyistä ja rasvoista.</p>	<p>S UN1977 CLASS 2.1 OADR (GAS) 2105649 CAT 1 PED</p> <p>Detta är ett cylinder för användning med HomeFill-systemet. Detta innehåller syre med en renhetsgrad på 91,33%. • Håll cylindern borta från eld och värme. • Håll cylindern borta från olja och fett. • Håll cylindern borta från olja och fett.</p>



The Hydrostatic Testing Date

Aluminum cylinders MUST undergo testing every ten years.



WARNING!

Risk of Injury

To reduce the risk of injury:

- DO NOT fill cylinders that have not been tested in the past ten years. Otherwise, serious personal injury may result. Contact your equipment provider for replacement.

External Examination

1. Examine the outside of the cylinder for the following conditions, and replace the cylinder if they exist:
 - Dents or dings
 - Arc burns
 - Oil or grease
 - Any other signs of damage that might cause a cylinder to be unacceptable or unsafe for use.
2. Examine the cylinder for evidence of fire or thermal damage. Evidence includes charring or blistering of the paint, or other protective coating or heat sensitive indicator. If fire or thermal damage is found, replace the cylinder.
3. Inspect the cylinder/regulator assembly for the following and replace if found:
 - Debris, oil or grease
 - Noticeable signs of damage
 - Signs of corrosion inside the valve
 - Signs of excessive heat or fire damage

4.3 Connecting the Cylinder to the Compressor



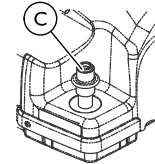
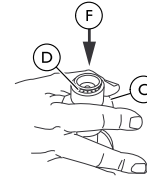
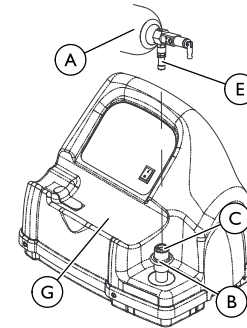
WARNING!

- NEVER use tools of any kind to connect/disconnect the cylinder and the compressor. Otherwise, severe injury and/or damage may occur.




WARNING!

- DO NOT drop oxygen cylinders. Use two hands when handling/transporting oxygen cylinders. Otherwise, injury or damage may occur.
- DO NOT use a liquid leak detector to test for leaks.




Fillport covers not shown for clarity.


1. Prior to each use, inspect product for visible damage. Refer to the External Examination section. DO NOT use if any damage is found.

 If for any reason, any label becomes illegible or lost, contact your equipment provider.

2. Examine the cylinder gauge. If the cylinder pressure is less than 1500 psig (10342 kPa), proceed to STEP 3.

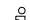
 For location of the cylinder gauge, refer to the cylinder's manual.
If the cylinder pressure is **greater** than 1500 psig (10342 kPa), DO NOT attempt to top off this cylinder. It may not fill.

3. Set the regulator flow dial on the cylinder (A) to Off. Refer to the cylinder's manual.
4. Remove the cylinder and connector fillport covers (if present).
5. Momentarily push DOWN on the outer ring (sleeve) (B) of the connector fillport (C) until GREEN dots (D) are visible to reset the connector.

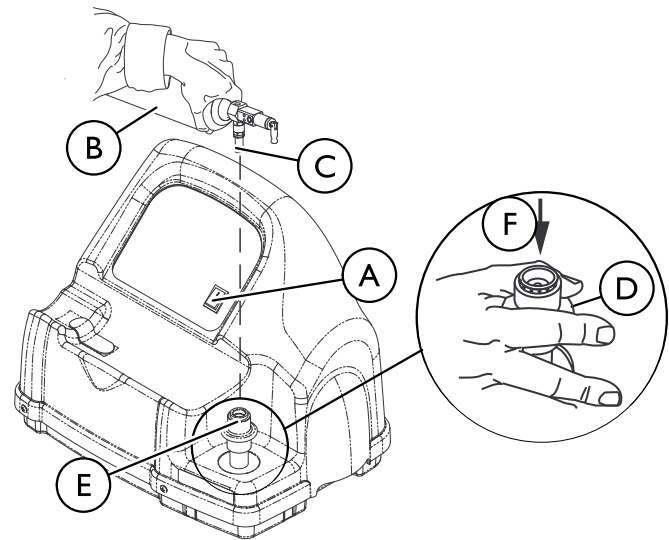
 If the outer ring (sleeve) is in the UP position (GREEN dots not visible), the connector fillport will not be able to accept the cylinder fillport (E). Pushing DOWN (F) momentarily will reset the connector fillport (GREEN dots visible) to accept the cylinder fillport.

6. Grasp the cylinder in the area behind the cylinder fillport.
7. Position the cylinder in the compressor cradle (G).

8. Align the cylinder fillport with the connector fillport.
9. Pull UP on the outer ring (sleeve) of the connector fillport while pushing DOWN on the cylinder to couple the cylinder fillport into the connector fillport.

 The cylinder is properly connected when an audible “click” is heard.

4.4 Disconnecting the Cylinder from the Compressor

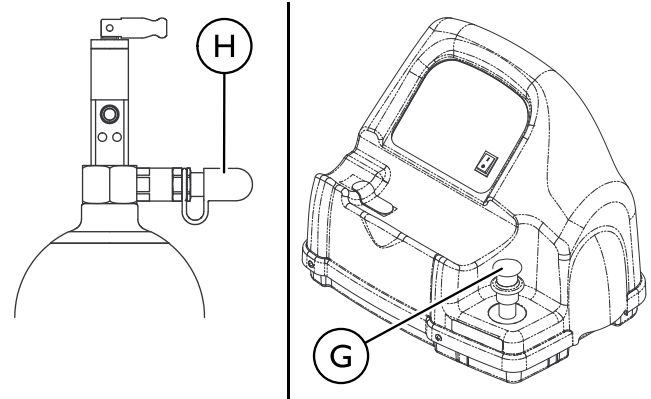


**WARNING!**

– NEVER use tools of any kind to connect/disconnect the cylinder and the compressor. Otherwise, severe injury and/or damage may occur.


1. Press the compressor power switch **(A)** to the Off (O) position.
2. Grasp the cylinder **(B)** in the area behind the cylinder fillport **(C)**.
3. With the other hand, grasp the outer ring (sleeve) of the connector fillport **(E)** and push DOWN **(F)**.
4. Lift up on the cylinder to remove from the connector fillport.

5. When the cylinder fillport is disconnected from the connector fillport, release the outer ring (sleeve) of the connector fillport and use two hands to remove the cylinder from the compressor cradle.

**WARNING!**

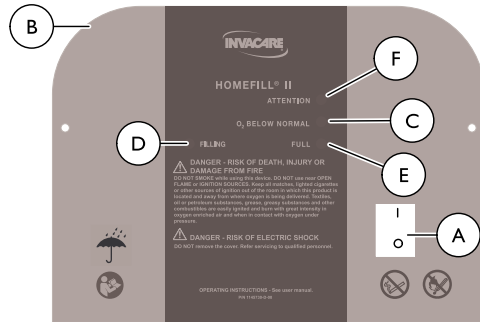
– The fillport cover on the connector fillport and the cylinder fillport **MUST** be replaced after filling and whenever not in use. If either of the fillport covers are missing contact your healthcare provider before using.

- Place the fillport covers onto the connector fillport ③ and cylinder fillport ④.


 When using the post valve type cylinder, attach an oxygen regulator per manufacturers instructions.

- Examine the cylinder gauge to ensure cylinder is full (needle pointing into GREEN area). If the cylinder is not full, perform the following:
 - Repeat Connecting the Cylinder to the Compressor, in this section of the manual.
 - If cylinder is not full after second attempt to fill, contact the provider.


4.5 Turning the Compressor On and Off



- Make sure the concentrator is On. Refer to the concentrator User Manual.


 The maximum oxygen concentrator flow rate for patient use is listed in the table below. Otherwise, the oxygen level to the compressor will be <90% and the compressor will not fill the cylinder.

Oxygen Concentrator	Maximum Output Flow for Patient Use
5L models	2.5 L/min
9L models	5 L/min


 Patients with a higher prescribed flow should not refill a cylinder while receiving supplemental oxygen treatment from the oxygen concentrator. If your concentrator is not in the ranges listed in the table, refer to your user manual or contact your provider.

- Set the concentrator flow rate to the patient to one of the following settings. Refer to the concentrator User Manual.


- 2.5 L/min or less for 5L models
- 5 L/min or less for 9L models

 Non-Invacare concentrators may require lower output flow rates to the patient in order to provide ≥ 90% oxygen levels to the HomeFill compressor.

3. Make sure the cylinder is connected to the compressor. Refer to Connecting the Cylinder to the Compressor in this section of the manual.
4. Push the power switch **A** on the control panel to the On (I) position.
5. Examine the control panel **B**. The following sequence of events should occur:
 - a. 0-3 minutes - The O₂ Below Normal (YELLOW) light **C** will be lit while the compressor warms up.
 - b. After three minutes - The FILLING (GREEN) light **D** will be on while the cylinder is filling.
 - c. The FULL (GREEN) light **E** will be on when the cylinder is finished filling. Proceed to STEP 6.

 The O₂ BELOW NORMAL (YELLOW) light may come on if the oxygen level from the concentrator has not yet reached or drops below 90%. The compressor will begin or resume filling when the oxygen level reaches 90%. If light does not go Off within 10 minutes, refer to Troubleshooting in this manual.
If the ATTENTION (RED) light and audible alarm **F** are on refer to Troubleshooting in this manual.

6. Remove the full cylinder. Refer to Disconnecting the cylinder from the Compressor in this section of the manual.
7. Push the power switch to the Off (O) position.

 For cylinder operation and use, refer to the specific user manual for the cylinder/regulator assembly.

5 Maintenance

5.1 Maintenance Info



DANGER!

Risk of Electric Shock

This unit contains moving and high pressure components. There are no user serviceable parts inside the cover. To avoid electric shock, injury or death:

- DO NOT remove the cover.
- Refer servicing to qualified personnel.



WARNING!

– Only the parts and procedures identified in this section are to be performed by the operator. All other parts and procedures are to be performed by a qualified technician.

5.2 Wear and Tear

Invacare reserves the right to ask for any item back that has an alleged defect in workmanship. See the warranty in this manual for specific warranty information.

Refer to the procedures in this User Manual for proper preventative maintenance schedule and use of the product.

This is just a general guideline and does not include items damaged due to abuse and misuse. Useful life is dependent upon many factors.

Normal wear and tear items and components for this product are listed below.

- All types of filters
- All types of tubing

5.3 Service Life

The expected service life of this product is 5 years or 5000 hours of operation when used in accordance with the safety instructions, maintenance intervals and correct use, stated in this manual. The effective service life can vary according to frequency and intensity of use. Maintenance should be done at least every week.

5.4 Cleaning the Compressor Filter



WARNING!

- Push the power switch to the Off (O) position and unplug the compressor before cleaning.
- DO NOT operate the compressor without the filter installed.



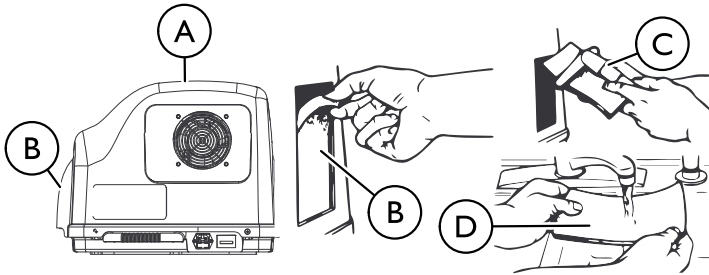
CAUTION!

- DO NOT unplug by pulling on cord. To unplug, grasp the plug not the cord, otherwise damage may occur.



All compressors have one filter on the back of the cabinet.

Perform this procedure at least once a week.



1. Unplug the compressor ①. Grasp the plug not the cord.
2. Remove the filter ②.
3. Clean the filter with a vacuum cleaner ③ or wash in warm soapy water and rinse thoroughly ④.
4. Dry the filter thoroughly before reinstallation.

5.5 Cleaning the Cabinet



DANGER!

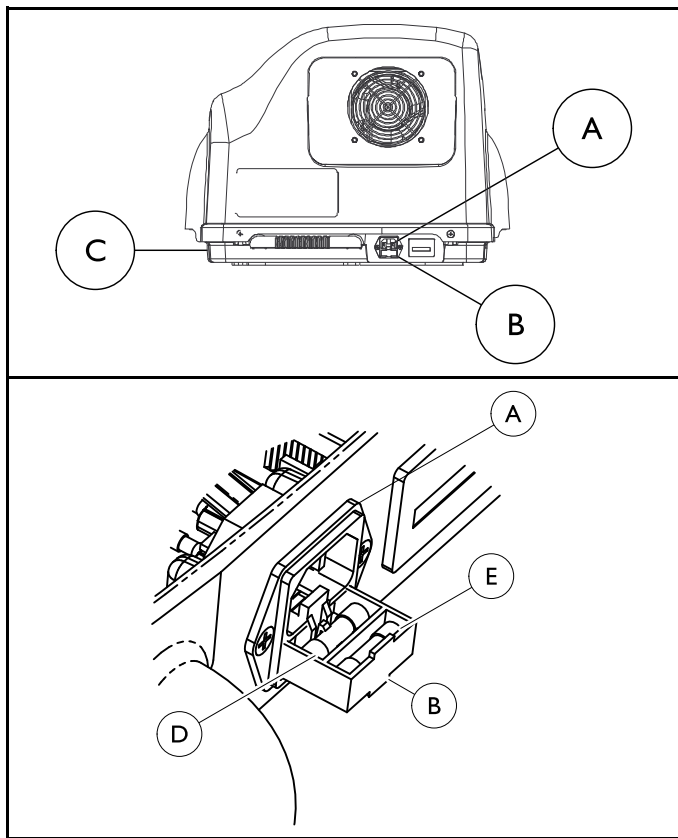
Risk of Electric Shock

This unit contains moving and high pressure components. There are no user serviceable parts inside the cover. To avoid electric shock, injury or death:

- DO NOT remove the cover.
- Refer servicing to qualified personnel.

1. Clean the cabinet with a mild household cleaner and non-abrasive cloth or sponge.

5.6 Replacing the Fuse



1. Unplug the power cord from the electrical outlet.
2. Remove the power cord from the power inlet (A) on the compressor base (C).
3. Pull out the fuse drawer (B) at the bottom of the power inlet.
4. Using a fuse puller or a small flat blade screw driver, remove the front fuse inside the fuse drawer and discard.



The fuse drawer contains space for two fuses. The front location is for the operational fuse. The unit is supplied with the front fuse only. The rear location is for an optional spare fuse. When replacing the front fuse, ensure that there is a spare fuse with the same type and rating in the fuse drawer.

5. Install replacement fuse in front fuse (D) slot.



Use a 5 mm x 20 mm, time lag, low breaking capacity, 250V, 2 Amp, IEC 60127 style only (Invacare part number 1099820).

6. Push fuse drawer back into the power inlet.
7. Install power cord into the power inlet on the compressor base.
8. Plug power cord into electrical outlet.
9. Turn the power switch to the On (I) position and check to see that the unit powers up properly.
10. If the unit does not come on, turn the power switch off, unplug the power cord, and call your provider or Invacare for service.

6 After Use

6.1 Disposal

This product has been supplied from an environmentally aware manufacturer that complies with the Waste Electrical and Electronic Equipment (WEEE) Directive 2012/19/EU.

This product may contain substances that could be harmful to the environment if disposed of in places (landfills) that are not appropriate according to legislation.

The 'crossed out wheelie bin' symbol is placed on this product to encourage you to recycle wherever possible.

Follow local governing ordinances and recycling plans regarding disposal of the device or components normally used in operation. The device does not generate waste or residue in operation. DO NOT dispose of the device in the normal waste stream. Any accessories not part of the device MUST be handled in accordance with the individual product marking for disposal.

Please be environmentally responsible and recycle this product at its end of life. Contact Invacare or your service provider for product recycling information.

7 Troubleshooting

7.1 Indicator Lights

Indicator Light Color	Compressor Status	Effect
None	Compressor is Off.	O ₂ flowing to user if concentrator is on.
O ₂ BELOW NORMAL - YELLOW	Compressor is On and warming up (0-3 minutes after power is On).	Cylinder filling not started.
		O ₂ flowing to user if concentrator is On.
	O ₂ from concentrator is < 90% (any time after three minute warmup).	Cylinder filling stops, will restart when O ₂ > 90%.
		O ₂ flowing to user if concentrator is On.
FILLING - GREEN	Compressor is On and cylinder is filling. O ₂ from concentrator is >90% (any time after three minute warmup).	Cylinder is filling.
		O ₂ flowing to user if concentrator is On.
FULL - GREEN	Compressor is On. Cylinder is finished filling (full) -remove cylinder (FULL light is On in >10 mins.)	Cylinder filling stops. Cannot fill another cylinder until compressor is turned Off and On again. O ₂ flowing to user if concentrator is On.
	or Cylinder is not attached properly - check connection (FULL light is On in <10 mins.).	
ATTENTION - RED (Audible Alarm)	Compressor is On. Cylinder NOT filling. Causes: Full cylinder attached when unit turned On - replace with empty cylinder or	Compressor does not begin to fill or stops filling. Unit must be turned Off and On before filling can occur.

Indicator Light Color	Compressor Status	Effect
	Internal failure - contact provider.	O ₂ flowing to user if concentrator is On.

7.2 Troubleshooting

Problem	Solution
No indicator lights on when compressor turned On.	<ol style="list-style-type: none"> 1. Turn compressor Off (O). 2. Check that power cord is properly plugged into compressor and wall outlet. 3. Turn the compressor On (I). 4. Clean air filters. Refer to Cleaning the Compressor Filter in the Maintenance section of the manual. 5. If performing Steps 1-4 does not cause any indicator lights to come on, contact your home health care provider or Invacare for service.
RED Light On	<ol style="list-style-type: none"> 1. Check the cylinder gauge to see if it is full: <ul style="list-style-type: none"> • Cylinder full - Remove the cylinder and turn the unit Off. Perform the Cylinder Prefill Inspection in the Usage section of the manual with a cylinder that is not full. • Cylinder not full - Proceed to Step 2. 2. Check that the cylinder is connected properly. <ul style="list-style-type: none"> • Turn the compressor Off (O). • Remove the cylinder and reinstall. • Turn the compressor On (I). If cylinder is not full and is connected properly, the compressor may have internal failure. Contact your home health care provider or Invacare.

Problem	Solution
<p>Compressor cycles on and Off</p> <p>or</p> <p>O₂ Below Normal (yellow) and filling (green) lights are alternating</p> <p>or</p> <p>O₂ below normal (yellow) light goes On and Off</p>	<ol style="list-style-type: none"> 1. Check that the concentrator liter flow setting is at or below the flow setting listed in <i>4.5 Turning the Compressor On and Off, page 24</i>. If necessary, adjust the liter flow setting (refer to the concentrator User manual). Wait at least 20 minutes for the GREEN light to appear. If it does not appear, proceed to step 2. 2. The concentrator may need service, contact your home health care provider or Invacare.
<p>O₂ below normal (YELLOW) light stays On</p>	<ol style="list-style-type: none"> 1. Ensure the concentrator has warmed up for at least 20 minutes. If it has not been 20 minutes, turn the compressor Off until the concentrator warms up. If the YELLOW light still remains on proceed to step 2. 2. Inspect the connection between the compressor and the concentrator for damage or pinching. <ul style="list-style-type: none"> • If damaged, replace. • If pinched, straighten tubing. Turn the compressor Off (O) for at least 10 seconds. Turn the compressor On (I). If the YELLOW light still remains on after 10 minutes, proceed to step 3. 3. The concentrator may need service, contact your home health care provider or Invacare.

Problem	Solution
Fill times exceed maximum as recommended fill times OR GREEN filling light stays On.	<ol style="list-style-type: none"> 1. Ensure the cylinder regulator is set to Off (O). 2. Check the recommended fill times shown in the individual cylinder's manual. 3. Check that the cylinder is connected properly. Turn the compressor Off (O). Remove the cylinder and reinstall. Turn the compressor On (I). 4. Check the compressor/concentrator line for proper connection and/or damage (i.e. - leaks or kinks). 5. Check that the concentrator liter flow setting is at or below the flow setting listed in <i>4.5 Turning the Compressor On and Off, page 24</i>. If necessary, adjust the liter flow setting (refer to the concentrator User manual). If the GREEN filling light does not go Off, the compressor and/or concentrator may need service. Contact your home health care provider or Invacare.
Excessive noise when compressor is On	<ol style="list-style-type: none"> 1. Call home health care provider or Invacare for service.
Hissing sound from Regulator when flow selector is Off	<ol style="list-style-type: none"> 1. Turn flow selector Off. 2. If hissing sounds continue, call home health care provider or Invacare.
Regulator is On but O ₂ is not being delivered	<ol style="list-style-type: none"> 1. Refill cylinder 2. Check that cannula is straight and not pinched. If damaged, replace. 3. Call home health care provider or Invacare for service.



Refer to the cylinder's manual for proper fill times.

Filling times are approximate and may vary on environmental conditions.

8 Technical Data

8.1 Technical Description

The HomeFill II Oxygen System (IOH200AW) is an electro-mechanical prescription system for use in the home. Its intended function and use is to supply pressurized oxygen to fill Invacare proprietary gas cylinders for ambulatory use while the patient receives therapeutic oxygen from an oxygen concentrator. The IOH200AW gas system is designed for use with oxygen concentrators that meet the input specifications for pressure, flow, and oxygen purity.

The HomeFill II Oxygen system consists of IOH200AW gas compressor, connection tubing, and the Invacare supplied portable gas cylinders with the integral flow regulator and interlocking fill fitting.

The IOH200AW compressor consists of a multistage compressor, internal reservoir, control electronics with an integral oxygen concentration sensor, interlocking fill fitting, inlet fitting, and drive motor. The compressor operation is controlled by the electronics assembly. The motor/compressor is allowed to fill a cylinder only when the oxygen concentration of the inlet gas stream is greater than 90% and the cylinder pressure is not already greater than 1500 PSI (10342 kPa). The motor/compressor fill operation is completed when the gas in a cylinder reaches the maximum fill pressure of 2000 PSI (13786 kPa).

The IOH200AW compressor can fill cylinders for portable use by ambulatory patients. The Invacare supplied portable gas cylinders have an interlocking fill fitting that mates only with the Invacare IOH200AW compressor assembly. The gas

cylinder also contains an integral flow regulator with fixed, selectable flow settings.

8.2 Cylinder Fill Times

CYLINDER FILLING TIMES	Concentrator Flow Rate to Patient:	
		5L models up to 2.5 L/min. 9L models up to 5 L/min.
	HF2PCE9A	HF2PCE6
NORMAL	2 hr 20 min	1 hr 25 min
MAXIMUM	2 hr 45 min	1 hr 50 min



Typical fill times assume the input requirements are met.

Filling times may vary on environmental conditions.

8.3 Specifications

Regulatory Listings

Regulatory Listings:	EN/IEC 60601-1
	EN/IEC 60601-1-2

Input Specifications

Input Pressure Required:	5 – 25 psi (34.5 – 172.4 kPa)
Input Flow Required:	2 L/min
Input Oxygen Purity:	>90% O ₂

General Specifications

Electrical Ratings:	230 V~, 1.0 A, 50 Hz
Operating Environmental Conditions:	41 to 104° F (5 to 40° C) at 15 to 60% non-condensing humidity
Atmospheric Pressure:	700 to 1060 hPa
Storage and Transport:	-25 to 158° F (-23 to 70° C) at 15 to 95% non-condensing humidity.
Width:	20 ¼ inches (51.44 cm)
Height:	15 inches (38.1 cm)
Depth:	16 inches (40.64 cm)

Weight:	33 lbs (14.97 kg)
Shipping Weight:	39 lbs (17.69 kg)

8.4 Electromagnetic Compliance (EMC)

Guidance and manufacturer's declaration—electromagnetic emission

The Device is intended for use in the electromagnetic environment specified below. The customer or the user of the Device should assure that it is used in such an environment.


Emissions test	Compliance	Electromagnetic environment - guidance
RF emissions CISPR 11	Group I	The Device uses RF energy only for its internal function. Therefore, its RF emissions are very low and are not likely to cause any interference in nearby electronic equipment.
RF emissions CISPR 11	Class B	The Device is suitable for use in all establishments including domestic establishments and those directly connected to the public low-voltage power supply network that supplies buildings used for domestic purposes.
Harmonic emissions IEC 61000-3-2	Class A	
Voltage fluctuations / flicker emissions IEC 61000-3-3	Complies	

Guidance and manufacturer's declaration—electromagnetic immunity

The Device is intended for use in the electromagnetic environment specified below. The customer or the user of the Device should assure that it is used in such an environment.

Immunity test	IEC 60601 test level	Compliance level	Electromagnetic environment – guidance
Electrostatic discharge (ESD) IEC 61000-4-2	± 2, 4, 8 kV contact ± 2, 4, 8, 15 kV air	± 2, 4, 8 kV contact ± 2, 4, 8, 15 kV air	Floors should be wood, concrete or ceramic tile. If floors are covered with synthetic material, the relative humidity should be at least 30%.

Electrical Fast transient / burst IEC 61000-4-4	± 2 kV mains, 100kHz	± 2 kV mains, 100kHz	Mains power quality should be that of a typical commercial or hospital environment.
Surge IEC 61000-4-5	± 1 kV line(s) to line(s) ± 2 kV line(s) to ground	± 1 kV line(s) to line(s) ± 2 kV line(s) to ground	Mains power quality should be that of a typical commercial or hospital environment.
Voltage dips IEC 61000-4-11	0% U_T ; 1/2 cycle @ 0, 45, 90, 135, 180, 225, 270, and 315 and 0% U_T ; 1 cycle and 70% U_T ; 25/30 cycles Single phase: at 0°	0% U_T ; 1/2 cycle @ 0, 45, 90, 135, 180, 225, 270, and 315 and 0% U_T ; 1 cycle and 70% U_T ; 25/30 cycles Single phase: at 0°	Mains power quality should be that of a typical commercial or hospital environment. If the user of the Device requires continued operation during power mains interruptions, it is recommended that the Device be powered from an un-interruptible power supply or a battery. U_T is the a. c. mains voltage prior to application of the test level.
Voltage Interruptions IEC 61000-4-11	0% U_T ; 250/300 cycle	0% U_T ; 250/300 cycle	Mains power quality should be that of a typical commercial or hospital environment. If the user of the Device requires continued operation during power mains interruptions, it is recommended that the Device be powered from an un-interruptible power supply or a battery. U_T is the a. c. mains voltage prior to application of the test level.
Power frequency (50/60 Hz) magnetic field IEC 61000-4-8	30 A/m, 50/60 Hz	30 A/m, 50/60 Hz	Power frequency magnetic fields should be at levels characteristic of a typical location in a typical commercial or hospital environment.

<p>Conducted RF IEC 61000-4-6</p>	<p>3 Vrms, 6 Vrms</p>	<p>3 Vrms, 6 Vrms</p>	<p>Portable and mobile RF communications equipment should be used no closer to any part of the Device including cables, than the recommended separation distance calculated from the equation applicable to the frequency of the transmitter.</p> <p>Recommended separation distance:</p> <p>$d = 1.2\sqrt{P}$ 150 kHz to 80 MHz</p>
<p>Radiated RF IEC 61000-4-3</p>	<p>10 V/m</p>	<p>10 V/m</p>	<p>$d = 0.35\sqrt{P}$ 80 MHz to 800 MHz $d = 0.7\sqrt{P}$ 800 MHz to 2,5 GHz</p> <p>where P is the maximum output power rating of the transmitter in watts (W) according to the transmitter manufacturer and d is the recommended separation distance in metres (m).</p> <p>Field strengths from fixed RF transmitters, as determined by an electromagnetic site survey,^a should be less than the compliance level in each frequency range.^b</p> <p>Interference may occur in the vicinity of equipment marked with the following symbol:</p> 

^a Field strengths from fixed transmitters, such as base stations for radio (cellular/cordless) telephones and land mobile radios, amateur radio, AM and FM radio broadcast and TV broadcast cannot be predicted theoretically with accuracy. To assess the electromagnetic environment due to fixed RF transmitters, an electromagnetic site survey should be considered. If the

measured field strength in the location in which the Device is used exceeds the applicable RF compliance level above, the Device should be observed to verify normal operation. If abnormal performance is observed, additional measures may be necessary, such as reorienting or relocating the Device.

^b Over the frequency range 150 kHz to 80 MHz, field strengths should be less than [V1] V/m.

At 80 MHz and 800 MHz, the higher frequency range applies.

Recommended separation distances between portable and mobile RF communications equipment and the Device

The Device is intended for use in an electromagnetic environment in which radiated RF disturbances are controlled. The customer or the user of the Device can help prevent electromagnetic interference by maintaining a minimum distance between portable and mobile RF communications equipment (transmitters) and the Device as recommended below, according to the maximum output power of the communications equipment

Rated maximum output of transmitter [W]	Separation distance according to frequency of transmitter [m]		
	150 kHz to 80 MHz d = 1.2VP	80 MHz to 800 MHz d = 0.35VP	800 MHz to 2,5 GHz d = 0.7VP
0.01	0.12	0.04	0.07
0.1	0.37	0.11	0.22
1	1.17	0.35	0.70
10	3.69	1.11	2.21
100	11.67	3.50	7.00

For transmitters rated at a maximum output power not listed above the recommended separation, distance d in meters (m) can be estimated using the equation applicable to the frequency of the transmitter, where P is the maximum output power rating of the transmitter in watts (W) according to the transmitter manufacturer.

At 80 MHz and 800 MHz, the separation distance for the higher frequency range applies.



These guidelines may not apply in all situations. Electromagnetic propagation is affected by absorption and reflection from structures, objects and people.

Περιεχόμενα

Το παρόν εγχειρίδιο πρέπει να δίνεται στον τελικό χρήστη. ΠΡΙΝ από την χρήση του προϊόντος, διαβάστε αυτό το εγχειρίδιο και φυλάξτε το για μελλοντική αναφορά.

1 ΓΕΝΙΚΕΣ	42
1.1 Σύμβολα	42
1.2 Χρήση για την οποία προορίζεται	44
1.3 Ενδείξεις χρήσης	45
1.4 Εξαρτήματα αντικατάστασης	45
1.5 Αντενδείξεις	45
1.6 Εγγύηση	45
2 Ασφάλεια	46
2.1 Γενικές οδηγίες	46
2.2 Θέσεις ετικετών	51
2.3 Πληροφορίες για προμηθευτές	53
2.4 Προϊόντα διπλής μόνωσης	53
2.5 Πληροφορίες Ηλεκτρομαγνητικής συμβατότητας	53
3 Διάταξη	55
3.1 Αποσυσκευασία	55
3.2 Λίστα ελέγχου αρχικής ρύθμισης συμπιεστή	55
3.3 Επιλογή θέσης	56
3.4 Μεταφορά του συμπιεστή	58
3.5 Τοποθέτηση του καλωδίου τροφοδοσίας	58
3.6 Σύνδεση του συμπιεστή με τον συγκεντρωτή	59
3.6.1 Σύνδεση του συμπιεστή με συμπακνωτές Invacare	59
3.6.2 Σύνδεση του συμπιεστή με συμπακνωτές που δεν φέρουν την επωνυμία της Invacare	59
4 Χρήση	60
4.1 Λίστα ελέγχου λειτουργίας συμπιεστή	60
4.2 Έλεγχος προ-πλήρωσης φιάλης	61
4.3 Σύνδεση της φιάλης με τον συμπιεστή	63

4.4 Αποσύνδεση της φιάλης από τον συμπιεστή	65
4.5 Ενεργοποίηση και απενεργοποίηση συμπιεστή	67
5 ΣΥΝΤΗΡΗΣΗ	69
5.1 Πληροφορίες συντήρησης	69
5.2 Φυσική φθορά	69
5.3 Διάρκεια λειτουργικής ζωής	69
5.4 Αλλαγή του φίλτρου του συμπιεστή	69
5.5 Καθαρισμός του ερμάριου	70
5.6 Αντικατάσταση της ασφάλειας	71
6 μετά από χρήση	73
6.1 Απόρριψη	73
7 Αντιμετώπιση προβλημάτων	74
7.1 Ενδεικτικές λυχνίες	74
7.2 Αντιμετώπιση προβλημάτων	76
8 Τεχνικά Δεδομένα	80
8.1 Τεχνική περιγραφή	80
8.2 Χρόνοι πλήρωσης φιάλης	80
8.3 Προδιαγραφές	81
8.4 Ηλεκτρομαγνητική Συμβατότητα (ΗΜΣ)	82

1 ΓΕΝΙΚΕΣ

1.1 Σύμβολα

Σύμβολα στο εγχειρίδιο

Στο παρόν εγχειρίδιο χρησιμοποιούνται ενδείξεις που αφορούν κινδύνους ή μη ασφαλείς πρακτικές που μπορεί να οδηγήσουν σε τραυματισμό ή υλική βλάβη. Ανατρέξτε στις παρακάτω πληροφορίες για ορισμούς των προειδοποιητικών λέξεων.



ΚΙΝΔΥΝΟΣ!

– Η ένδειξη «Κίνδυνος» υποδεικνύει μια άμεσα επικίνδυνη κατάσταση η οποία, εάν δεν αποφευχθεί, θα οδηγήσει σε θάνατο ή σοβαρό τραυματισμό.



ΠΡΟΕΙΔΟΠΟΙΗΣΗ!

– Η ένδειξη «Προειδοποίηση» υποδεικνύει μια εν δυνάμει επικίνδυνη κατάσταση η οποία, εάν δεν αποφευχθεί, θα μπορούσε να οδηγήσει σε θάνατο ή σοβαρό τραυματισμό.



ΠΡΟΣΟΧΗ!

– Η ένδειξη «Προσοχή» υποδεικνύει μια εν δυνάμει επικίνδυνη κατάσταση η οποία, εάν δεν αποφευχθεί, ενδέχεται να οδηγήσει σε υλική βλάβη, ελαφρύ τραυματισμό ή και τα δύο.



ΣΗΜΑΝΤΙΚΟ

– Υποδηλώνει μια επικίνδυνη κατάσταση η οποία, αν δεν αποτραπεί, θα μπορούσε να έχει ως αποτέλεσμα υλική ζημιά θάνατο.




Παρέχει χρήσιμες υποδείξεις, συστάσεις και πληροφορίες για αποτελεσματική χρήση χωρίς προβλήματα.

Σύμβολα στο προϊόν

Τα ακόλουθα σύμβολα υπάρχουν στον συμπιεστή, τη συσκευασία του συμπιεστή ή τη φιάλη οξυγόνου.



Διαβάστε το εγχειρίδιο (του συμπιεστή)

 Το χρώμα του φόντου του συμβόλου είναι μπλε στις ετικέτες του προϊόντος.



Διαβάστε το εγχειρίδιο (της φιάλης)



Κίνδυνος ηλεκτροπληξίας



Εναλλασσόμενο ρεύμα



Εξοπλισμός τύπου BF —
Εφαρμοζόμενα μέρη



Διακόπτης τροφοδοσίας
ενεργοποιημένος (ON)



Διακόπτης τροφοδοσίας
απενεργοποιημένος (OFF)



ΑΠΑΓΟΡΕΥΕΤΑΙ το κάπνισμα



Μακριά από γυμνή φλόγα



Κατηγορία II, Διπλή μόνωση.
Ανατρέξτε στην ενότητα «Προϊόντα διπλής μόνωσης» στο κεφάλαιο «Ασφάλεια» του εγχειριδίου.



Να διατηρείται στεγνό κατά τη μεταφορά ή την αποθήκευση και κατά τη χρήση

IP21

Προστασία από στερεά ξένα αντικείμενα διαμέτρου 12,5 χιλ. και άνω.




Προστασία από σταγόνες νερού που πέφτουν κατακόρυφα.

Ασφάλεια



Οξειδωτικό

 Το χρώμα του φόντου του συμβόλου είναι κίτρινο στις ετικέτες του προϊόντος.



Μη εύφλεκτο αέριο, τύπου κατηγορίας 2 (οξυγόνο)



Το χρώμα του φόντου του συμβόλου είναι πράσινο στις ετικέτες του προϊόντος.



Θερμοκρασία μεταφοράς και αποθήκευσης



Υγρασία μεταφοράς και αποθήκευσης



Ανακυκλώστε το προϊόν. Ανατρέξτε στην ενότητα «Απόρριψη εξοπλισμού και παρελκομένων» στο κεφάλαιο «Μετά τη χρήση» του εγχειριδίου.



Συμμορφώνεται με τις ισχύουσες οδηγίες της ΕΕ, συμπεριλαμβανομένης της οδηγίας για τα ιατροτεχνολογικά προϊόντα (MDD) (93/42/ΕΟΚ)



Εξουσιοδοτημένος αντιπρόσωπος στην Ευρωπαϊκή Κοινότητα



Κατασκευαστής

1.2 Χρήση για την οποία προορίζεται

Ο συμπιεστής Invacare HomeFill έχει σχεδιαστεί για χρήση μόνο με συμπυκνωτές οξυγόνου που συμμορφώνονται με τις προδιαγραφές εισόδου που αναγράφονται στο 8.3 *Προδιαγραφές, σελίδα 81.*

ΜΗΝ χρησιμοποιείτε το συμπιεστή Invacare HomeFill με οποιονδήποτε άλλο συμπυκνωτή οξυγόνου που συμμορφώνεται με τις απαιτήσεις εισόδου του συμπιεστή.

Η χρήση για την οποία προορίζεται ένας συμπιεστής HomeFill της Invacare είναι ως βοηθητική διάταξη σε έναν συμπυκνωτή οξυγόνου που επιτρέπει στον ασθενή την επαναπλήρωση των συνηθών φορητών φιαλών οξυγόνου για προσωπική χρήση.

Αυτό το προϊόν προορίζεται για χρήση σε έναν μόνο ασθενή μόνο σε οικιακό περιβάλλον και δεν πρέπει να χρησιμοποιείται για επαναπλήρωση πολλαπλών φιαλών.

Για τη χρήση του προϊόντος, δεν απαιτούνται ειδικές γνώσεις για το προϊόν ούτε εκπαίδευση, εκτός από όσα αναφέρονται στο παρόν εγχειρίδιο.

Κατά την επαναπλήρωση, δεν μπορεί να χρησιμοποιηθεί για παροχή θεραπείας οξυγόνου.

Αυτό το προϊόν προορίζεται για χρήση από ενήλικες ή υπό την επίβλεψη αυτών, μόνο αφότου διαβάσουν και κατανοήσουν τις οδηγίες και τις προειδοποιήσεις του παρόντος εγχειριδίου χρήστη.



ΠΡΟΕΙΔΟΠΟΙΗΣΗ!

- Η χρήση της παρούσας συσκευής περιορίζεται στην επαναπλήρωση φιαλών οξυγόνου ενός συγκεκριμένου ασθενούς. Οι καθορισμένες φιάλες ΠΡΕΠΕΙ να χρησιμοποιούνται ΜΟΝΟ από τον συγκεκριμένο ασθενή και δεν πρέπει να παρέχονται σε άλλα άτομα για οποιονδήποτε σκοπό.
- Η παρούσα συσκευή δεν ενδείκνυται για καμία άλλη χρήση.

1.3 Ενδείξεις χρήσης

Υποδεικνύεται ώστε να επιτρέπει στον ασθενή την επαναπλήρωση των συνηθών φορητών φιαλών οξυγόνου για προσωπική χρήση.

1.4 Εξαρτήματα αντικατάστασης

Διατίθενται τα εξής ανταλλακτικά από την Invacare:

- Γραμμή παροχής, κωδικός ανταλλακτικού 1105177
- Καλώδιο τροφοδοσίας, κωδικός ανταλλακτικού 1085605



Τα ανταλλακτικά αυτά είναι βασικά μοντέλα. Επικοινωνήστε με την Invacare ή τον προμηθευτή σας για κωδικούς ανταλλακτικού συγκεκριμένους ανά χώρα.

1.5 Αντενδείξεις

Δεν υπάρχουν γνωστές αντενδείξεις.

1.6 Εγγύηση

Οι όροι και οι προϋποθέσεις της εγγύησης υπόκεινται στους γενικούς όρους και τις προϋποθέσεις που ισχύουν σε κάθε χώρα όπου πωλείται αυτό το προϊόν.

2 Ασφάλειας

2.1 Γενικές οδηγίες



ΚΙΝΔΥΝΟΣ!

Κίνδυνος θανάτου, τραυματισμού ή βλάβης

Η ακατάλληλη χρήση του προϊόντος μπορεί να οδηγήσει σε θάνατο, τραυματισμό ή βλάβη. Η ενότητα αυτή περιέχει σημαντικές πληροφορίες σχετικά με την ασφαλή λειτουργία και χρήση του παρόντος προϊόντος.

- ΜΗ χρησιμοποιήσετε το προϊόν ή τυχόν διαθέσιμο προαιρετικό εξοπλισμό χωρίς να έχετε προηγουμένως διαβάσει και κατανοήσει πλήρως τις παρούσες οδηγίες και τυχόν επιπρόσθετο ενημερωτικό υλικό, όπως εγχειρίδια χρήσης, εγχειρίδια τεχνικής υποστήριξης ή φύλλα οδηγιών, που παρέχονται με το προϊόν ή τον προαιρετικό εξοπλισμό.
- Εάν δεν μπορείτε να κατανοήσετε τις προειδοποιήσεις, τις επισημάνσεις προσοχής ή τις οδηγίες, επικοινωνήστε με έναν επαγγελματία στον τομέα υγειονομικής περίθαλψης, έναν προμηθευτή ή το προσωπικό τεχνικής υποστήριξης πριν επιχειρήσετε να χρησιμοποιήσετε τον εξοπλισμό.
- Ελέγξτε ΟΛΑ τα εξωτερικά εξαρτήματα και τη συσκευασία για να βεβαιωθείτε ότι είναι σε καλή κατάσταση. Σε περίπτωση βλάβης ή εάν το προϊόν δεν λειτουργεί κανονικά, επικοινωνήστε με έναν τεχνικό ή την Invacare για να προχωρήσετε σε επισκευή.



ΚΙΝΔΥΝΟΣ!

Κίνδυνος θανάτου, τραυματισμού ή βλάβης

Η ακατάλληλη χρήση του προϊόντος μπορεί να οδηγήσει σε θάνατο, τραυματισμό ή βλάβη. Η ενότητα αυτή περιέχει σημαντικές πληροφορίες σχετικά με την ασφαλή λειτουργία και χρήση του παρόντος προϊόντος.

- Για να διασφαλίσετε την ασφαλή εγκατάσταση, συναρμολόγηση και λειτουργία του συμπιεστή HomeFill, ΠΡΕΠΕΙ να ακολουθήσετε αυτές τις οδηγίες.
- ΟΙ ΠΛΗΡΟΦΟΡΙΕΣ ΠΟΥ ΠΕΡΙΛΑΜΒΑΝΟΝΤΑΙ ΣΕ ΑΥΤΟ ΤΟ ΕΓΓΡΑΦΟ ΕΝΔΕΧΕΤΑΙ ΝΑ ΑΛΛΑΞΟΥΝ ΧΩΡΙΣ ΠΡΟΕΙΔΟΠΟΙΗΣΗ.

**ΚΙΝΔΥΝΟΣ!**

Κίνδυνος θανάτου, τραυματισμού ή βλάβης από πυρκαγιά

Τα υφάσματα, οι ουσίες που έχουν ως βάση το πετρέλαιο, τα γράσα, οι λιπαντικές ουσίες και άλλα εύφλεκτα υλικά αναφλέγονται εύκολα και καίγονται με μεγάλη ένταση σε αέρα εμπλουτισμένο με οξυγόνο και όταν έρχονται σε επαφή με οξυγόνο υπό πίεση. Για να αποφύγετε τον κίνδυνο πυρκαγιάς, θανάτου, τραυματισμού ή βλάβης:

- ΜΗΝ ΚΑΠΝΙΖΕΤΕ όταν χρησιμοποιείτε τη συσκευή.
- ΜΗΝ αφήνετε τη συσκευή κοντά σε ΓΥΜΝΗ ΦΛΟΓΑ ή ΠΗΓΕΣ ΑΝΑΦΛΕΞΗΣ.
- ΜΗ χρησιμοποιείτε λιπαντικά στο συμπιεστή, εκτός εάν συνιστάται από την Invacare.
- Οι πινακίδες ΑΠΑΓΟΡΕΥΣΗΣ ΤΟΥ ΚΑΠΝΙΣΜΑΤΟΣ πρέπει να βρίσκονται σε εμφανές σημείο.

**ΚΙΝΔΥΝΟΣ!**

Κίνδυνος θανάτου, τραυματισμού ή βλάβης από πυρκαγιά

Τα υφάσματα, οι ουσίες που έχουν ως βάση το πετρέλαιο, τα γράσα, οι λιπαντικές ουσίες και άλλα εύφλεκτα υλικά αναφλέγονται εύκολα και καίγονται με μεγάλη ένταση σε αέρα εμπλουτισμένο με οξυγόνο και όταν έρχονται σε επαφή με οξυγόνο υπό πίεση. Για να αποφύγετε τον κίνδυνο πυρκαγιάς, θανάτου, τραυματισμού ή βλάβης:

- Αποφύγετε τη δημιουργία σπίθας κοντά σε εξοπλισμό οξυγόνου. Η οδηγία αυτή αφορά και τις σπίθες από στατικό ηλεκτρισμό που έχουν προκληθεί από οποιονδήποτε τύπο τριβής.
- Διατηρείτε τα σπίρτα, αναμμένα τσιγάρα ή άλλες πηγές ανάφλεξης μακριά από το δωμάτιο όπου βρίσκεται ο συμπιεστής και μακριά από χώρους όπου γίνεται παροχή οξυγόνου.
- Κρατήστε τη σωλήνωση παροχής οξυγόνου, το καλώδιο και το συμπιεστή μακριά από κουβέρτες, παπλώματα, μαξιλάρια, ρούχα και μακριά από ζεστές ή καυτές επιφάνειες, όπως καλοριφέρ, φούρνους και παρόμοιες ηλεκτρικές συσκευές.



ΚΙΝΔΥΝΟΣ!

Κίνδυνος θανάτου, τραυματισμού ή βλάβης από πυρκαγιά

Τα υφάσματα, οι ουσίες που έχουν ως βάση το πετρέλαιο, τα γράσα, οι λιπαντικές ουσίες και άλλα εύφλεκτα υλικά αναφλέγονται εύκολα και καίγονται με μεγάλη ένταση σε αέρα εμπλουτισμένο με οξυγόνο και όταν έρχονται σε επαφή με οξυγόνο υπό πίεση. Για να αποφύγετε τον κίνδυνο πυρκαγιάς, θανάτου, τραυματισμού ή βλάβης:

- Τυχόν λάδι που υπάρχει στα χέρια σας ή σε άλλες πηγές ΔΕΝ πρέπει να έρχεται σε επαφή με τη σύζευξη του συμπιεστή ή τα εξαρτήματα σύνδεσης της φιάλης. Αυτές οι ουσίες μπορεί να μετατραπούν σε εύφλεκτες παρουσία οξυγόνου προκαλώντας τραυματισμό. Αποφεύγετε να αγγίζετε το εξάρτημα σύνδεσης της φιάλης όταν είναι εφικτό. Αποφεύγετε να χρησιμοποιείτε κρέμες χεριών, λοσιόν, μαγειρικά λάδια, λάδια μαυρίσματος ή αντηλιακά και παρεμφερή λιπαρά προϊόντα. Αν χρησιμοποιείτε τέτοια προϊόντα, η Invacare σας προτείνει να πλένετε τα χέρια σας πριν χρησιμοποιήσετε τη μονάδα HomeFill. Αν το εξάρτημα σύνδεσης της φιάλης έρθει σε επαφή με τέτοιες ουσίες πρέπει να το καθαρίσετε με ένα στεγνό πανί πριν το συνδέσετε με τον συμπιεστή.



ΚΙΝΔΥΝΟΣ!

Κίνδυνος θανάτου, τραυματισμού ή βλάβης από πυρκαγιά

Τα υφάσματα, οι ουσίες που έχουν ως βάση το πετρέλαιο, τα γράσα, οι λιπαντικές ουσίες και άλλα εύφλεκτα υλικά αναφλέγονται εύκολα και καίγονται με μεγάλη ένταση σε αέρα εμπλουτισμένο με οξυγόνο και όταν έρχονται σε επαφή με οξυγόνο υπό πίεση. Για να αποφύγετε τον κίνδυνο πυρκαγιάς, θανάτου, τραυματισμού ή βλάβης:

- ΠΟΤΕ μην λιπαίνετε τον συζεύκτη του συμπιεστή ή τα εξαρτήματα σύνδεσης της φιάλης. ΠΟΤΕ μην χρησιμοποιείτε διεισδυτικά λάδια ή λιπαντικά όπως τα WD-40® και 3-in-1 Oil®. Αν αντιμετωπίσετε δυσκολίες με τη σύνδεση, βεβαιωθείτε ότι το εξάρτημα σύνδεσης της φιάλης εισάγεται ευθεία προς τον συζεύκτη του συμπιεστή. Αν συνεχίζονται οι δυσκολίες, επικοινωνήστε με τον προμηθευτή για βοήθεια.

**ΚΙΝΔΥΝΟΣ!****Κίνδυνος ηλεκτροπληξίας**

Η μονάδα περιλαμβάνει μεταφερόμενα εξαρτήματα υψηλής πίεσης. Δεν υπάρχουν εξαρτήματα μέσα στο κάλυμμα που επιδέχονται επισκευή από το χρήστη. Για να αποφύγετε τον κίνδυνο ηλεκτροπληξίας, τραυματισμού ή θανάτου:

- ΜΗΝ αφαιρείτε το κάλυμμα.
- Για τις εργασίες επισκευής, απευθυνθείτε σε κατάλληλα καταρτισμένο προσωπικό.

**ΠΡΟΕΙΔΟΠΟΙΗΣΗ!****Κίνδυνος σοβαρού τραυματισμού ή βλάβης**

Η χρήση βοηθητικών εξαρτημάτων που δεν φέρουν την επωνυμία Invacare ενδέχεται να οδηγήσει σε σοβαρό τραυματισμό ή βλάβη.

- Τα προϊόντα της Invacare έχουν σχεδιαστεί και κατασκευαστεί ειδικά για χρήση σε συνδυασμό με τα βοηθητικά εξαρτήματα της Invacare. Τα βοηθητικά εξαρτήματα που έχουν σχεδιαστεί από άλλους κατασκευαστές δεν έχουν δοκιμαστεί από την Invacare και δεν συνιστώνται για χρήση σε συνδυασμό με τα προϊόντα της Invacare.
- Δεν επιτρέπονται τροποποιήσεις αυτού του εξοπλισμού.
- ΜΗΝ χρησιμοποιείτε βοηθητικά εξαρτήματα που δεν φέρουν την επωνυμία της Invacare.
- Για να προμηθευτείτε βοηθητικά εξαρτήματα της Invacare, επικοινωνήστε με την Invacare μέσω τηλεφώνου ή επισκεφθείτε τη διεύθυνση www.invacare.com



ΠΡΟΕΙΔΟΠΟΙΗΣΗ!

Κίνδυνος τραυματισμού ή βλάβης

Η φραγή της ροής του αέρα προς το εσωτερικό και το εξωτερικό του συμπιεστή μπορεί να προκαλέσει τραυματισμό ή βλάβη.

- ΠΟΤΕ μην φράζετε τις οπές αερισμού του προϊόντος και μην το τοποθετείτε σε μαλακές επιφάνειες, όπως το κρεβάτι ή ο καναπές, όπου μπορεί να φράξουν οι οπές αερισμού.
- Διατηρείτε τις οπές απαλλαγμένες από χνούδια, τρίχες και παρόμοια ξένα σώματα.



ΠΡΟΕΙΔΟΠΟΙΗΣΗ!

Κίνδυνος τραυματισμού ή βλάβης

Ένα προϊόν που φέρει βλάβη μπορεί να δυσλειτουργεί και να οδηγήσει σε τραυματισμό ή βλάβη. Για να αποφύγετε τον κίνδυνο τραυματισμού ή βλάβης:

- ΜΗ βρέχετε τον συμπιεστή.
- Αν ο συμπιεστής έχει κατεστραμμένο καλώδιο ή βύσμα, αν δεν λειτουργεί σωστά, αν έπεσε ή έχει υποστεί ζημιά ή αν έχει βυθιστεί σε νερό, επικοινωνήστε με έναν καταρτισμένο τεχνικό για έλεγχο και επισκευή.



ΠΡΟΕΙΔΟΠΟΙΗΣΗ!

- ΜΗ χρησιμοποιείτε τον συμπιεστή σε εξωτερικούς χώρους. Μόνο για εσωτερική χρήση.
- Αν εντοπίσετε διαρροή στη φιάλη οξυγόνου ΜΗN επιχειρήσετε να χρησιμοποιήσετε τη φιάλη. Περιστρέψτε το κουμπί του επιλογέα ροής του ρυθμιστή σε θέση απενεργοποίησης. Αν η διαρροή παραμένει, τοποθετήστε τη φιάλη σε εξωτερικό χώρο και ειδοποιήστε τον προμηθευτή προϊόντων υγείας σας ή τον αντιπρόσωπο σέρβις για το συμβάν.
- Τα παιδιά πρέπει να πλησιάζουν ΠΑΝΤΑ υπό επίβλεψη τη μονάδα HomeFill. Αν χρησιμοποιείται με τον πάγκο HomeFill ή παρεμφερείς ανυψωμένες επιφάνειες στήριξης, τα παιδιά μπορεί να αναποδογυρίσουν τον πάγκο προκαλώντας την πτώση της μονάδας. Αν δεν ακολουθήσετε αυτήν την προειδοποίηση, μπορεί να προκληθεί τραυματισμός ή ζημιά στο προϊόν.

**ΠΡΟΕΙΔΟΠΟΙΗΣΗ!****Κίνδυνος τραυματισμού ή βλάβης**

Το HomeFill είναι εξοπλισμένο με βαλβίδα εκτόνωσης υψηλής πίεσης για να διασφαλίζει την ασφάλεια του χρήστη. Κατά την ενεργοποίηση της διάταξης ασφαλείας αναπαράγεται ένας υπερβολικά δυνατός θόρυβος. Για να αποφύγετε τον κίνδυνο τραυματισμού ή βλάβης:

- Αν ακούσετε αυτόν τον θόρυβο, απενεργοποιήστε τη μονάδα και επικοινωνήστε με τον προμηθευτή προϊόντων υγείας σας ή τον αντιπρόσωπο σέρβις.

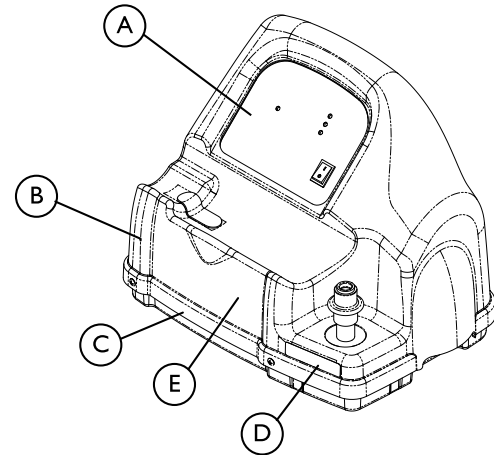
**ΠΡΟΕΙΔΟΠΟΙΗΣΗ!****Κίνδυνος θανάτου, τραυματισμού ή βλάβης**

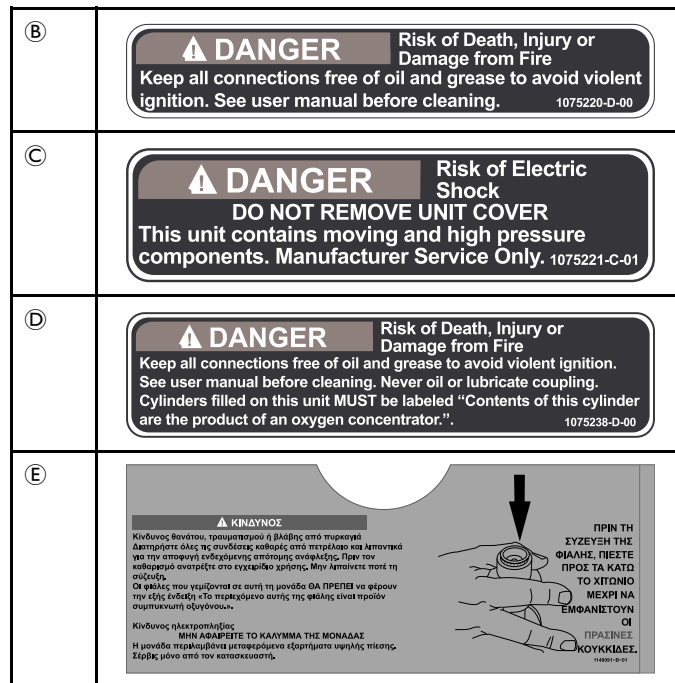
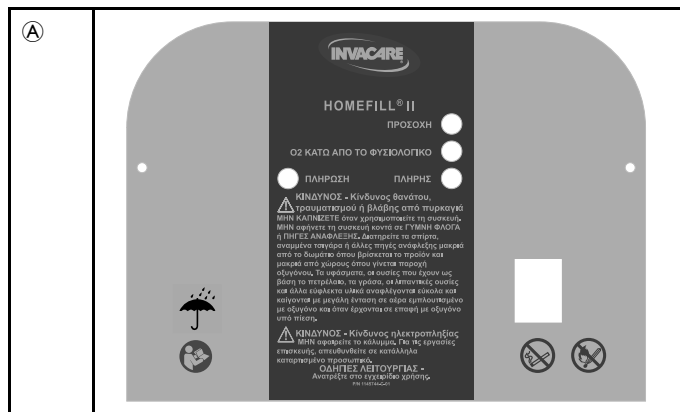
Αν δεν τοποθετηθεί και στερεωθεί σωστά, το καλώδιο τροφοδοσίας και ο εύκαμπτος σωλήνας διασύνδεσης μπορεί να προκαλέσουν τραυματισμό λόγω παραπατήματος, πτώσης και στραγγαλισμού. Ενδεχομένως, επίσης, να προκύψει βλάβη στο προϊόν.

- Αποθηκεύστε και τοποθετήστε σωστά τα ηλεκτρικά καλώδια ή/και τη σωλήνωση ώστε να μην υπάρχει κίνδυνος παραπατήματος και στραγγαλισμού.
- Αποφύγετε να τοποθετήσετε τα καλώδια τροφοδοσίας σε χώρους με αυξημένη κίνηση.
- Πριν μετακινήσετε ή επανατοποθετήσετε είτε τον συμπιεστή ή τον συγκεντρωτή, ΠΑΝΤΑ να αποσυνδέετε τα καλώδια τροφοδοσίας AC και τον εύκαμπτο σωλήνα διασύνδεσης ανάμεσα στον συμπιεστή και τον συγκεντρωτή.

**ΠΡΟΣΟΧΗ!**

Η νομοθεσία επιτρέπει την πώληση αυτής της συσκευής σε ιατρό ή κατόπιν εντολής ιατρού, ο οποίος έχει άδεια ασκήσεως επαγγέλματος στον τόπο άσκησης του επαγγέλματός του.
– Η αγορά και η χρήση της συσκευής εγκρίνεται ΜΟΝΟ από ιατρό με άδεια ασκήσεως επαγγέλματος.

2.2 Θέσεις ετικετών



2.3 Πληροφορίες για προμηθευτές



Η Invacare συνιστά να αφήνετε μία γεμάτη φιάλη οξυγόνου στον ασθενή μετά την εγκατάσταση του συμπιεστή HomeFill.

Πριν αφήσετε τον συμπιεστή HomeFill στον χρήστη, ΠΡΕΠΕΙ να τηρήσετε την ακόλουθη λίστα ελέγχου:

- Βεβαιωθείτε ότι δεν έχει λήξει η δοκιμή πίεσης της φιάλης.
- Ελέγξτε την ενότητα Ηλεκτρομαγνητικής συμβατότητας για πληροφορίες λειτουργίας και πιθανά προβλήματα αναφορικά με ραδιοσυχνότητες. Ανατρέξτε στις Πληροφορίες Ηλεκτρομαγνητικής συμβατότητας.
- Εκπαιδύστε τον χρήστη στην ασφαλή λειτουργία του συγκεντρωτή και μελετήστε όλες τις προειδοποιήσεις.
- Εκπαιδύστε τον χρήστη στην ασφαλή λειτουργία του συμπιεστή HomeFill και μελετήστε όλες τις προειδοποιήσεις.
- Αφήστε μία γεμάτη φιάλη οξυγόνου στον χρήστη.
- Αφήστε ένα αντίγραφο όλων των προειδοποιήσεων και των οδηγιών πλήρωσης στον χρήστη.

2.4 Προϊόντα διπλής μόνωσης



ΠΡΟΣΟΧΗ!

– ΜΗΝ αποσυνδέετε το καλώδιο τροφοδοσίας τραβώντας το καλώδιο. Για να τον αποσυνδέετε, πιάστε το βύσμα, όχι το καλώδιο, γιατί μπορεί να προκληθεί ζημιά.

Στα προϊόντα διπλής μόνωσης, παρέχονται δύο συστήματα μόνωσης, αντί για γείωση. Αυτό σημαίνει ότι δεν απαιτείται

γείωση σε ένα προϊόν διπλής μόνωσης, ούτε απαιτείται να προστεθεί μέσο γείωσης στο προϊόν. Τα προϊόντα διπλής μόνωσης επισημαίνονται με τις λέξεις "ΔΙΠΛΗ ΜΟΝΩΣΗ" ή "ΔΙΠΛΗΣ ΜΟΝΩΣΗΣ" ή με το σύμβολο:



2.5 Πληροφορίες Ηλεκτρομαγνητικής συμβατότητας



ΠΡΟΕΙΔΟΠΟΙΗΣΗ!

Κίνδυνος τραυματισμού ή βλάβης

Προκειμένου να μειωθεί ο κίνδυνος τραυματισμού ή ζημιάς στο προϊόν από παρεμβολές με ασύρματο εξοπλισμό:

– Κρατήστε τον συμπιεστή σε απόσταση τουλάχιστον 3 μέτρων (9,8 ποδιών) από τον εξοπλισμό ασύρματης επικοινωνίας, όπως ασύρματες συσκευές οικιακών δικτύων, κινητά τηλέφωνα, ασύρματα τηλέφωνα και σταθμούς βάσης, walkie-talkie κ.λπ.



ΠΡΟΕΙΔΟΠΟΙΗΣΗ!

– Η χρήση εξαρτημάτων και καλωδίων διαφορετικών από εκείνα που προσδιορίζονται ή παρέχονται από την Invacare ενδέχεται να οδηγήσει σε αυξημένες ηλεκτρομαγνητικές εκπομπές ή σε μειωμένη ηλεκτρομαγνητική θωράκιση του παρόντος εξοπλισμού με αποτέλεσμα την ακατάλληλη λειτουργία του.

Ο ηλεκτρικός ιατρικός εξοπλισμός πρέπει να εγκαθίσταται και να χρησιμοποιείται σύμφωνα με τις πληροφορίες Ηλεκτρομαγνητικής συμβατότητας του παρόντος εγχειριδίου.

Ο εξοπλισμός αυτός έχει ελεγχθεί και διαπιστώθηκε ότι συμμορφώνεται με τα όρια Ηλεκτρομαγνητικής συμβατότητας που ορίζει το πρότυπο IEC/EN 60601-1-2 για εξοπλισμούς τύπου BF. Τα όρια αυτά καθορίζονται για να παρέχεται εύλογη προστασία από ηλεκτρομαγνητικές παρεμβολές σε τυπικό οικιακό περιβάλλον υγειονομικής περίθαλψης. Η χρήση του παρόντος εξοπλισμού σε περιβάλλον με υψηλότερα επίπεδα παρεμβολών ενδέχεται να επηρεάσει την ακρίβεια της συμπύκνωσης οξυγόνου στη φιάλη. Ο εξοπλισμός αυτός δεν προορίζεται για χρήση σε επαγγελματικό περιβάλλον υγειονομικής περίθαλψης.

Οι φορητές συσκευές επικοινωνίας με ραδιοσυχνότητες μπορεί να επηρεάσουν τη λειτουργία αυτού του εξοπλισμού. Ο συμπιεστής μπορεί να τοποθετηθεί επάνω από έναν συμβατό συμπυκνωτή οξυγόνου Invacare HomeFill κατά την εγκατάσταση. Πρέπει να παρατηρείτε τη λειτουργία του συμπιεστή για να επαληθεύετε τη φυσιολογική πλήρωση της φιάλης σε κάθε κατάσταση.

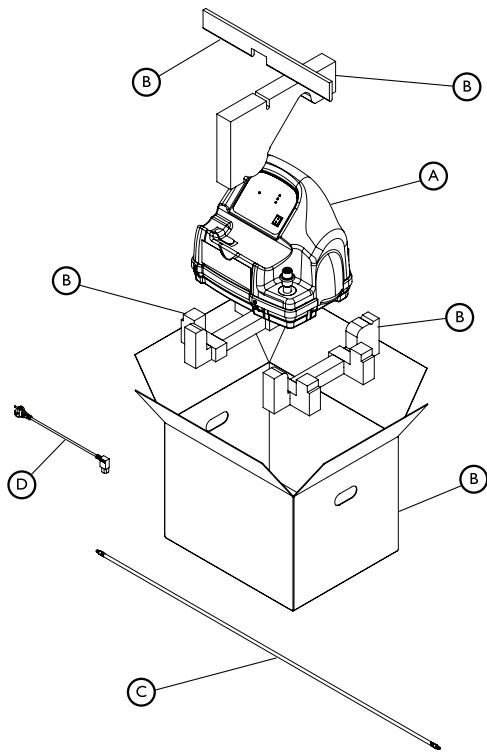
Άλλες συσκευές μπορεί να δέχονται παρεμβολές ακόμη και από χαμηλά επίπεδα ηλεκτρομαγνητικών εκπομπών που επιτρέπει το παραπάνω πρότυπο. Για να διαπιστώσετε αν οι εκπομπές από τον συμπιεστή προκαλούν την παρεμβολή, απενεργοποιήστε τον συμπιεστή. Αν σταματήσουν οι παρεμβολές με τη λειτουργία άλλων συσκευών, τότε ο συμπιεστής προκαλεί την παρεμβολή. Σε τέτοιες σπάνιες περιπτώσεις, μπορείτε να μειώσετε ή να διορθώσετε τις παρεμβολές με ένα από τα εξής μέτρα:

- Επανατοποθετήστε, μετακινήστε τις συσκευές ή αυξήστε την απόσταση μεταξύ τους.
- Συνδέστε κάθε ηλεκτρικά τροφοδοτούμενη συσκευή σε ένα διαφορετικό ηλεκτρικό κύκλωμα τροφοδοσίας.

Για επιπλέον πληροφορίες, ανατρέξτε στην ενότητα 8.4 *Ηλεκτρομαγνητική Συμβατότητα (ΗΜΣ)*, σελίδα 82.

3 Διάταξη

3.1 Αποσυσκευασία



ΠΕΡΙΓΡΑΦΗ	
Συγκρότημα συμπιεστή	A
Συγκρότημα συσκευασίας	B
Συγκρότημα γραμμής παροχής	Γ
Καλώδιο τροφοδοσίας	Δ
Εγχειρίδιο χρήστη (δεν φαίνεται)	Δ/Ι

1. Ελέγξτε για τυχόν προφανείς ζημιές στο χαρτόκουτο ή το περιεχόμενό του. Αν η ζημιά είναι προφανής, ειδοποιήστε τον μεταφορέα ή τον τοπικό σας προμηθευτή.
2. Αφαιρέστε όλα τα χαρτιά συσκευασίας από το χαρτόκουτο.
3. Αφαιρέστε προσεκτικά όλα τα εξαρτήματα από το χαρτόκουτο.

i Αν δεν πρόκειται να χρησιμοποιήσετε ΑΜΕΣΩΣ τον συμπιεστή, φυλάξτε τον στη συσκευασία του μέχρι να απαιτηθεί η χρήση του.

3.2 Λίστα ελέγχου αρχικής ρύθμισης συμπιεστή

i ΜΟΝΟ για προμηθευτές: Ανατρέξτε στις πληροφορίες για τους αντιπροσώπους της ενότητας «Ασφάλεια» του παρόντος εγχειριδίου πριν από την εκτέλεση αυτής της διαδικασίας.



ΜΟΝΟ για χρήστες — Επικοινωνήστε με τον προμηθευτή της Invacare ή με την Invacare για βοήθεια με τη διαδικασία ρύθμισης και για να αναφέρετε τυχόν απροσδόκητη λειτουργία ή συμβάντα.

Πριν θέσετε για πρώτη φορά σε λειτουργία τον συμπιεστή HomeFill, τηρήστε την ακόλουθη λίστα ελέγχου:

- Επιλέξτε μια θέση για τον συμπιεστή.
- Μεταφέρετε τον συμπιεστή στην επιθυμητή θέση.
- Συνδέστε το καλώδιο τροφοδοσίας με τον συμπιεστή.
- Συνδέστε τον συμπιεστή με τον συγκεντρωτή.

3.3 Επιλογή θέσης



ΚΙΝΔΥΝΟΣ!

Κίνδυνος θανάτου, τραυματισμού ή βλάβης από πυρκαγιά

Τα υφάσματα, οι ουσίες που έχουν ως βάση το πετρέλαιο, τα γράσα, οι λιπαντικές ουσίες και άλλα εύφλεκτα υλικά αναφλέγονται εύκολα και καίγονται με μεγάλη ένταση σε αέρα εμπλουτισμένο με οξυγόνο και όταν έρχονται σε επαφή με οξυγόνο υπό πίεση. Για να αποφύγετε τον κίνδυνο πυρκαγιάς, θανάτου, τραυματισμού ή βλάβης:

- ΜΗΝ ΚΑΠΝΙΖΕΤΕ όταν χρησιμοποιείτε τη συσκευή.
- ΜΗΝ αφήνετε τη συσκευή κοντά σε ΓΥΜΝΗ ΦΛΟΓΑ ή ΠΗΓΕΣ ΑΝΑΦΛΕΞΗΣ.
- ΜΗ χρησιμοποιείτε λιπαντικά στο συμπιεστή, εκτός εάν συνιστάται από την Invacare.
- Οι πινακίδες ΑΠΑΓΟΡΕΥΣΗΣ ΤΟΥ ΚΑΠΝΙΣΜΑΤΟΣ πρέπει να βρίσκονται σε εμφανές σημείο.

**ΚΙΝΔΥΝΟΣ!****Κίνδυνος θανάτου, τραυματισμού ή βλάβης από πυρκαγιά**

Τα υφάσματα, οι ουσίες που έχουν ως βάση το πετρέλαιο, τα γράσα, οι λιπαντικές ουσίες και άλλα εύφλεκτα υλικά αναφλέγονται εύκολα και καίγονται με μεγάλη ένταση σε αέρα εμπλουτισμένο με οξυγόνο και όταν έρχονται σε επαφή με οξυγόνο υπό πίεση. Για να αποφύγετε τον κίνδυνο πυρκαγιάς, θανάτου, τραυματισμού ή βλάβης:

- Αποφύγετε τη δημιουργία σπίθας κοντά σε εξοπλισμό οξυγόνου. Η οδηγία αυτή αφορά και τις σπίθες από στατικό ηλεκτρισμό που έχουν προκληθεί από οποιονδήποτε τύπο τριβής.
- Διατηρείτε τα σπύρτα, αναμμένα τσιγάρα ή άλλες πηγές ανάφλεξης μακριά από το δωμάτιο όπου βρίσκεται ο συμπιεστής και μακριά από χώρους όπου γίνεται παροχή οξυγόνου.
- Κρατήστε τη σωλήνωση παροχής οξυγόνου, το καλώδιο και το συμπιεστή μακριά από κουβέρτες, παπλώματα, μαξιλάρια, ρούχα και μακριά από ζεστές ή καυτές επιφάνειες, όπως καλοριφέρ, φούρνους και παρόμοιες ηλεκτρικές συσκευές.

Ο συμπιεστής πρέπει να βρίσκεται τουλάχιστον 7,6 εκ. (τρεις ίντσες) μακριά από τοίχους, υφάσματα ή έπιπλα για να διασφαλίζεται ότι υπάρχει επαρκής ροή αέρα.

Να αποφεύγετε την τοποθέτηση του συμπιεστή δίπλα από θερμάστρες, καλοριφέρ ή γρίλιες εκροής θερμού αέρα.

ΜΗΝ τον τοποθετείτε σε ντουλάπα.

1195663-C

Ο συμπιεστής πρέπει να τοποθετείται σε άκαμπτη και σταθερή επίπεδη επιφάνεια, όπως σε πάγκο ή στην ειδική βάση (Ready Rack).



Το HomeFill Ready Rack πωλείται ξεχωριστά και χρησιμοποιείται για την τοποθέτηση του συμπιεστή HomeFill στο επάνω μέρος ενός συμπυκνωτή οξυγόνου Perfecto₂ ή Platinum®. Για περισσότερες πληροφορίες ανατρέξτε στους κωδικούς εξαρτημάτων 1148363 και 1134824 του φύλλου οδηγιών του HomeFill Ready Rack.

3.4 Μεταφορά του συμπιεστή



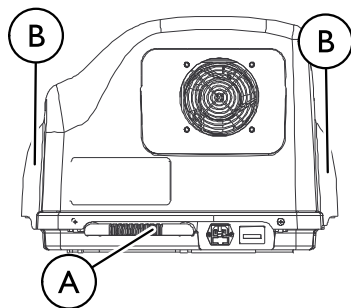
ΠΡΟΕΙΔΟΠΟΙΗΣΗ!

– ΠΟΤΕ μη μεταφέρετε τον συμπιεστή με μια φιάλη συνδεδεμένη ή αποθηκευμένη στον συμπιεστή, γιατί μπορεί να προκύψει τραυματισμός ή ζημιά.



ΠΡΟΣΟΧΗ!

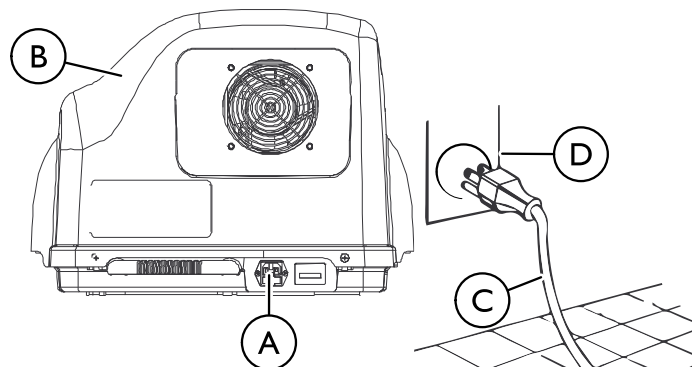
– Κατά την μεταφορά του συμπιεστή, προσέξτε να μην πέσει ο συμπιεστής ή οι σύνδεσμοι σε εμπόδια. Σε αντίθετη περίπτωση, μπορεί να προκληθεί ζημιά στον συμπιεστή.



1. Υπάρχουν δύο τρόποι για την ασφαλή μεταφορά του συμπιεστή:

- Με το ένα χέρι - Πιάστε τη λαβή **A** που βρίσκεται στο κάτω πίσω μέρος του συμπιεστή.
- Με τα δύο χέρια - Πιάστε τις λαβές **B** που βρίσκονται στις πλευρές του συμπιεστή.

3.5 Τοποθέτηση του καλωδίου τροφοδοσίας



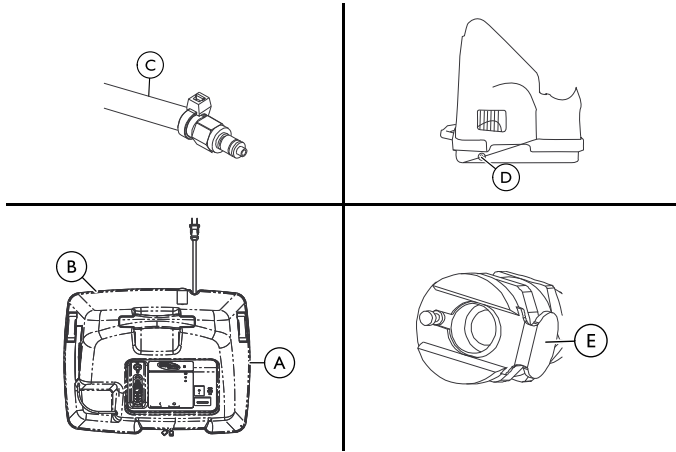
1. Επιλέξτε την κατάλληλη θέση. Ανατρέξτε στην ενότητα «Επιλογή θέσης» αυτού του κεφαλαίου του εγχειριδίου.
2. Βεβαιωθείτε ότι ο διακόπτης τροφοδοσίας είναι στη θέση απενεργοποίησης (O).
3. Συνδέστε το καλώδιο τροφοδοσίας στον ηλεκτρικό σύνδεσμο **A** στην πίσω πλευρά του συμπιεστή **B**.
4. Εισαγάγετε το άλλο άκρο του καλωδίου τροφοδοσίας **C** στην πρίζα του τοίχου **D**.
5. Αφήστε κενό τουλάχιστον 3 ίντσες (7,6 εκ) ανάμεσα στα άκρα του καλωδίου τροφοδοσίας για να έχετε πρόσβαση για την αποσύνδεση.



Η πρίζα ρεύματος λειτουργεί ως η διάταξη αποσύνδεσης από το ρεύμα για να αφαιρέσετε όλη την ισχύ από τη μονάδα όταν αποσυνδέσετε το καλώδιο.

3.6 Σύνδεση του συμπιεστή με τον συγκεντρωτή

3.6.1 Σύνδεση του συμπιεστή με συμπυκνωτές Invacare



1. Εισαγάγετε το ένα άκρο του εύκαμπτου σωλήνα διασύνδεσης © στο εξάρτημα σύνδεσης εξόδου Β στην πίσω πλευρά του συγκεντρωτή Α.
2. Εισαγάγετε το άλλο άκρο του εύκαμπτου σωλήνα διασύνδεσης στο εξάρτημα σύνδεσης εισόδου D στο πλάι του συμπιεστή.



Τα μεταλλικά πτερύγια Ε στο εξάρτημα σύνδεσης εξόδου του συγκεντρωτή και στο εξάρτημα σύνδεσης εισόδου του συμπιεστή θα ξεπροβάλουν και θα ακούσετε ένα κλικ, όταν τοποθετηθεί σωστά το άκρο του εύκαμπτου σωλήνα διασύνδεσης.

3.6.2 Σύνδεση του συμπιεστή με συμπυκνωτές που δεν φέρουν την επωνυμία της Invacare

1. Ανατρέξτε στις προδιαγραφές εξόδου αερίου στο εγχειρίδιο χρήσης του συμπυκνωτή οξυγόνου για να επαληθεύσετε τη συμβατότητα με τις απαιτήσεις εισόδου αερίου του συμπυκνωτή HomeFill που αναγράφονται στο 8.3 Προδιαγραφές, σελίδα 81.
2. Ανατρέξτε στο εγχειρίδιο χρήσης του συμπυκνωτή οξυγόνου για οδηγίες σχετικά με τη σύνδεση.

4 Χρήση

4.1 Λίστα ελέγχου λειτουργίας συμπιεστή

Κάθε φορά που χρησιμοποιείτε τον συμπιεστή HomeFill για να γεμίσετε μια φιάλη, τηρείτε την ακόλουθη λίστα ελέγχου:

- Βεβαιωθείτε ότι ο συγκεντρωτής ήταν ενεργοποιημένος για τουλάχιστον τριάντα λεπτά. Ανατρέξτε στο Εγχειρίδιο Χρήστη του συγκεντρωτή.
- Εκτελέστε τον έλεγχο προ-συμπλήρωσης στη φιάλη.
- Συνδέστε τη φιάλη με τον συμπιεστή.
- Τοποθετήστε τον διακόπτη τροφοδοσίας του συμπιεστή στη θέση ενεργοποίησης (I).
- Ελέγξτε τις ενδεικτικές λυχνίες στον πίνακα ελέγχου.
- Αποσυνδέστε και αφαιρέστε όλη τη φιάλη.
- Τοποθετήστε τον διακόπτη τροφοδοσίας του συμπιεστή στη θέση απενεργοποίησης (O).
- Αν πρόκειται να γεμίσετε και άλλη φιάλη, επαναλάβετε τα βήματα της λίστας.

Η ημερομηνία υδροστατικής δοκιμής

Οι φιάλες αλουμινίου ΠΡΕΠΕΙ να υποβάλλονται σε υδροστατική δοκιμή ανά δέκα έτη.



ΠΡΟΕΙΔΟΠΟΙΗΣΗ!

Κίνδυνος τραυματισμού

Για μείωση του κινδύνου τραυματισμού:

– ΜΗΝ συμπληρώνετε φιάλες οι οποίες δεν έχουν ελεγχθεί κατά τα προηγούμενα δέκα έτη. Διαφορετικά, μπορεί να προκληθεί σοβαρός τραυματισμός. Επικοινωνήστε με τον προμηθευτή του εξοπλισμού σας για αντικατάσταση.

Εξωτερικός έλεγχος

1. Ελέγξτε το εξωτερικό της φιάλης για τις ακόλουθες συνθήκες και αντικαταστήστε τη φιάλη εφόσον υπάρχουν:
 - Κοιλώματα ή εγκοπές
 - Σπινθηρισμοί εκκένωσης
 - Λάδι ή γράσο
 - Οποιοδήποτε άλλο σημάδι φθοράς που μπορεί να καταστήσει μια φιάλη μη αποδεκτή ή μη ασφαλή για χρήση.
2. Ελέγξτε τη φιάλη για ενδείξεις πυρκαγιάς ή θερμικής βλάβης. Στις ενδείξεις περιλαμβάνεται απανθράκωση ή ξεφλούδισμα του χρώματος ή άλλης προστατευτικής επίστρωσης ή του θερμοευαίσθητου δείκτη. Αν εντοπίσετε πυρκαγιά ή θερμική βλάβη, αντικαταστήστε τη φιάλη.
3. Ελέγξτε τη μονάδα φιάλης/ρυθμιστή για τα εξής, και αντικαταστήστε την αν τα εντοπίσετε.
 - Θραύσματα, λάδι ή γράσο
 - Εμφανή σημάδια βλάβης
 - Σημάδια διάβρωσης μέσα στη βαλβίδα
 - Σημάδια υπερβολικής θερμότητας ή βλάβης από πυρκαγιά

4.3 Σύνδεση της φιάλης με τον συμπιεστή



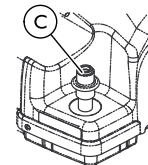
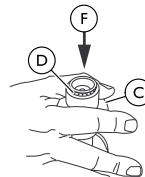
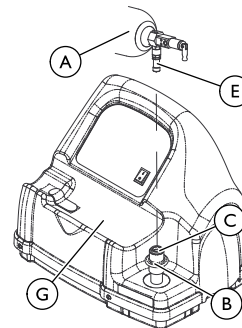
ΠΡΟΕΙΔΟΠΟΙΗΣΗ!

– ΠΟΤΕ μην χρησιμοποιείτε κανενός τύπου εργαλεία για να συνδέσετε/αποσυνδέσετε τη φιάλη με τον συμπιεστή. Σε αντίθετη περίπτωση, μπορεί να προκληθεί σοβαρός τραυματισμός ή/και ζημιά.




ΠΡΟΕΙΔΟΠΟΙΗΣΗ!

– ΔΕΝ πρέπει να σας πέσουν οι φιάλες οξυγόνου. Χρησιμοποιείτε και τα δυο σας χέρια κατά το χειρισμό ή τη μεταφορά των φιαλών οξυγόνου. Σε αντίθετη περίπτωση, μπορεί να προκληθεί τραυματισμός ή ζημιά.
– ΜΗΝ χρησιμοποιείτε ανιχνευτή διαρροής υγρών για να ελέγξετε για διαρροές.




Τα καλύμματα του στομίου πλήρωσης δεν φαίνονται για λόγους σαφήνειας.

1. Πριν από κάθε χρήση, να ελέγχετε το προϊόν για εμφανείς βλάβες. Ανατρέξτε στην ενότητα «Εξωτερικός έλεγχος». Σε περίπτωση που εντοπιστεί βλάβη, ΜΗΝ το χρησιμοποιήσετε.


 Αν, για οποιονδήποτε λόγο, καταστεί μη ευανάγνωστη ή χαθεί κάποια ετικέτα, επικοινωνήστε με τον προμηθευτή του εξοπλισμού σας.

2. Εξετάστε τον μετρητή φιάλης. Αν η πίεση της φιάλης είναι μικρότερη από 1.500 psig (10.342 kPa), εκτελέστε το ΒΗΜΑ 3.


 Για τη θέση του μετρητή της φιάλης, ανατρέξτε στο εγχειρίδιο της φιάλης.
Αν η πίεση της φιάλης είναι **μεγαλύτερη** από 1.500 psig (10.342 kPa), ΜΗΝ επιχειρήσετε να γεμίσετε εντελώς αυτήν τη φιάλη. Δεν μπορεί να γεμίσει.

3. Ρυθμίστε τον επιλογέα ρυθμιστή ροής της φιάλης Ⓐ σε θέση απενεργοποίησης. Ανατρέξτε στο εγχειρίδιο της φιάλης.
4. Αφαιρέστε τα καλύμματα της φιάλης και του στομίου πλήρωσης του συνδέσμου (αν υπάρχουν).

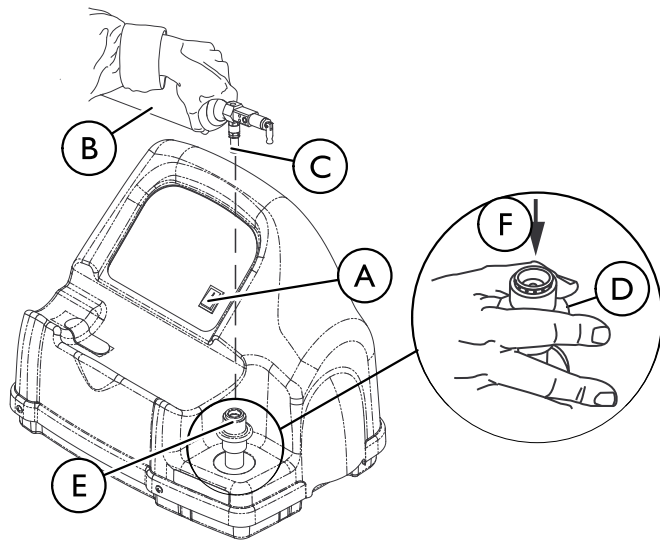
5. Πιέστε στιγμιαία προς τα ΚΑΤΩ τον εξωτερικό δακτύλιο (χιτώνιο) Ⓑ του στομίου πλήρωσης του συνδέσμου Ⓒ μέχρι να εμφανιστούν ΠΡΑΣΙΝΕΣ κουκκίδες Ⓓ για να επαναρυθμίσετε τον σύνδεσμο.

 Αν ο εξωτερικός δακτύλιος (χιτώνιο) βρίσκεται στην ΕΠΑΝΩ θέση (οι ΠΡΑΣΙΝΕΣ κουκκίδες δεν είναι ορατές), το στόμιο πλήρωσης του συνδέσμου δεν θα μπορεί να δεχτεί το στόμιο πλήρωσης της φιάλης Ⓔ. Αν τον πιέσετε στιγμιαία προς τα ΚΑΤΩ Ⓕ, θα επαναρυθμιστεί το στόμιο πλήρωσης του συνδέσμου (οι ΠΡΑΣΙΝΕΣ κουκκίδες θα είναι ορατές) για να δεχτεί το στόμιο πλήρωσης της φιάλης.

6. Πιάστε τη φιάλη από την περιοχή πίσω από το στόμιο πλήρωσης της φιάλης.
7. Τοποθετήστε τη φιάλη στο στήριγμα Ⓒ του συμπιεστή.
8. Ευθυγραμμίστε το στόμιο πλήρωσης της φιάλης με το στόμιο πλήρωσης του συνδέσμου.
9. Τραβήξτε προς τα ΠΑΝΩ τον εξωτερικό δακτύλιο (χιτώνιο) του στομίου πλήρωσης του συνδέσμου, ενώ πιέζετε προς τα ΚΑΤΩ τη φιάλη για να συνδέσετε το στόμιο πλήρωσης της φιάλης με το στόμιο πλήρωσης του συνδέσμου.

 Η φιάλη έχει συνδεθεί σωστά αν ακούσετε έναν ήχο κλικ.

4.4 Αποσύνδεση της φιάλης από τον συμπιεστή



3. Με το άλλο χέρι, πιάστε τον εξωτερικό δακτύλιο (χιτώνιο) ⑤ του στομίου πλήρωσης του συνδέσμου και πιέστε προς τα ΚΑΤΩ ⑥.
4. Ανυψώστε τη φιάλη για να την αφαιρέσετε από το στόμιο πλήρωσης του συνδέσμου.

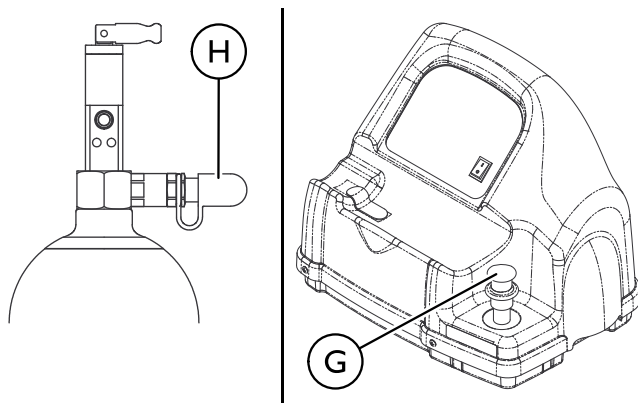


ΠΡΟΕΙΔΟΠΟΙΗΣΗ!


– ΠΟΤΕ μην χρησιμοποιείτε κανένος τύπου εργαλεία για να συνδέσετε/αποσυνδέσετε τη φιάλη με τον συμπιεστή. Σε αντίθετη περίπτωση, μπορεί να προκληθεί σοβαρός τραυματισμός ή/και ζημιά.

1. Πατήστε τον διακόπτη τροφοδοσίας του συμπιεστή ④ στη θέση απενεργοποίησης (O).
2. Πιάστε τη φιάλη ② από την περιοχή πίσω από το στόμιο πλήρωσης της φιάλης ③.

5. Όταν αποσυνδεθεί το στόμιο πλήρωσης της φιάλης από το στόμιο πλήρωσης του συνδέσμου, αποδεσμεύστε τον εξωτερικό δακτύλιο (χιτώνιο) του στομίου πλήρωσης του συνδέσμου και χρησιμοποιήστε και τα δύο χέρια για να αφαιρέσετε τη φιάλη από το στήριγμα του συμπιεστή.



6. Τοποθετήστε τα καλύμματα στομίου πλήρωσης στο στόμιο πλήρωσης του συνδέσμου © και στο στόμιο πλήρωσης της φιάλης Η).

 Όταν χρησιμοποιείτε τη φιάλη με βαλβίδα τύπου rost, συνδέστε το ρυθμιστή οξυγόνου σύμφωνα με τις οδηγίες των κατασκευαστών.

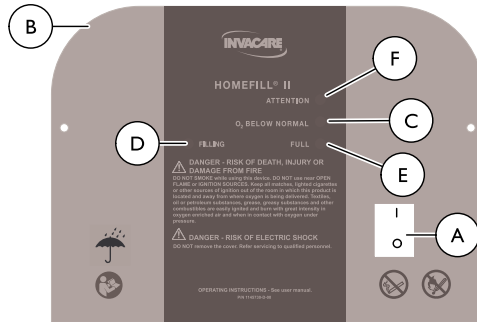
7. Ελέγξτε τον μετρητή φιάλης για να διασφαλίσετε ότι η φιάλη είναι γεμάτη (η βελόνα δείχνει προς την ΠΡΑΣΙΝΗ περιοχή). Αν η φιάλη δεν είναι γεμάτη, εκτελέστε τα ακόλουθα βήματα.
- Επαναλάβετε τη διαδικασία που περιγράφεται στην ενότητα «Σύνδεση/Αποσύνδεση της διάταξης της φιάλης με/από τον συμπιεστή» αυτού του κεφαλαίου του εγχειριδίου.
 - Αν η φιάλη δεν γεμίσει μετά από μια δεύτερη προσπάθεια, επικοινωνήστε με τον προμηθευτή σας.



ΠΡΟΕΙΔΟΠΟΙΗΣΗ!

– Τα καλύμματα του στομίου πλήρωσης του συνδέσμου και του στομίου πλήρωσης της φιάλης ΠΡΕΠΕΙ να επανατοποθετούνται μετά το γέμισμα και όταν δεν χρησιμοποιούνται. Αν λείπει κάποιο από τα καλύμματα των στομίων πλήρωσης, επικοινωνήστε με τον προμηθευτή σας πριν από τη χρήση.

4.5 Ενεργοποίηση και απενεργοποίηση συμπιεστή



- Βεβαιωθείτε ότι ο συγκεντρωτής είναι ενεργοποιημένος. Ανατρέξτε στο Εγχειρίδιο Χρήστη του συγκεντρωτή.



Ο μέγιστος ρυθμός ροής του συμπυκνωτή οξυγόνου για τη χρήση του ασθενούς αναγράφεται στον παρακάτω πίνακα. Διαφορετικά, η στάθμη του οξυγόνου στον συμπιεστή θα είναι <math>< 90\%</math> και ο συμπιεστής δεν θα γεμίσει τη φιάλη.

Συμπυκνωτής οξυγόνου	Μέγιστη ροή παροχής για χρήση από τον ασθενή
Μοντέλα 5 λίτρων	2,5 λίτρα/λεπτό
Μοντέλα 9 λίτρων	5 λίτρα/λεπτό



Οι ασθενείς με υψηλότερη καθορισμένη ροή, δεν πρέπει να γεμίζουν τη φιάλη ενώ λαμβάνουν πρόσθετη θεραπεία με οξυγόνο από τον συμπυκνωτή οξυγόνου.

Αν ο συμπυκνωτής σας δεν βρίσκεται στις τιμές που αναγράφονται στον πίνακα, ανατρέξτε στο εγχειρίδιο χρήσης ή επικοινωνήστε με τον προμηθευτή σας.

- Ορίστε τον ρυθμό ροής του συμπυκνωτή στον ασθενή σε μία από τις ακόλουθες ρυθμίσεις. Ανατρέξτε στο Εγχειρίδιο Χρήστη του συγκεντρωτή.
 - 2,5 λίτρα/λεπτό ή λιγότερο για μοντέλα 5 λίτρων
 - 5 λίτρα/λεπτό ή λιγότερο για μοντέλα 9 λίτρων



Συμπυκνωτές που δεν φέρουν την επωνυμία της Invacare ενδέχεται να απαιτούν μικρότερους ρυθμούς ροής εξόδου στον ασθενή για να παρέχουν στάθμες οξυγόνου $\geq 90\%$ στον συμπυκνωτή HomeFill.

- Βεβαιωθείτε ότι η φιάλη συνδέεται με τον συμπιεστή. Ανατρέξτε στην ενότητα «Σύνδεση/Αποσύνδεση της διάταξης της φιάλης με/από τον συμπιεστή» αυτού του κεφαλαίου του εγχειριδίου.
- Τοποθετήστε τον διακόπτη τροφοδοσίας (A) στον πίνακα ελέγχου στη θέση ενεργοποίησης (I).

5. Ελέγξτε τον πίνακα ελέγχου ⑥. Θα προκύψει η εξής ακολουθία συμβάντων:

- a. 0-3 λεπτά - Η ενδεικτική λυχνία O₂ κάτω από το φυσιολογικό (ΚΙΤΡΙΝΟ) ③ θα είναι αναμμένη, την ώρα που θερμαίνεται ο συμπιεστής.
- b. Έπειτα από τρία λεπτά - Η ενδεικτική λυχνία ΠΛΗΡΩΣΗΣ (ΠΡΑΣΙΝΗ) ④ θα είναι αναμμένη κατά την πλήρωση της φιάλης.
- c. Η ενδεικτική λυχνία ΠΛΗΡΩΣΗΣ (ΠΡΑΣΙΝΗ) ⑤ θα είναι αναμμένη όταν η φιάλη ολοκληρώσει την πλήρωση. Προχωρήστε στο ΒΗΜΑ 6.



Η λυχνία O₂ ΚΑΤΩ από το ΦΥΣΙΟΛΟΓΙΚΟ (ΚΙΤΡΙΝΗ) μπορεί να ανάψει αν η στάθμη οξυγόνου από τον συγκεντρωτή δεν έχει επιτευχθεί ακόμη ή πέσει κάτω από το 90%. Ο συμπιεστής θα αρχίσει ή θα συνεχίσει την πλήρωση όταν η στάθμη οξυγόνου φτάσει στο 90%. Αν δεν απενεργοποιηθεί η ενδεικτική λυχνία εντός 10 λεπτών, ανατρέξτε στην ενότητα «Αντιμετώπιση προβλημάτων» του παρόντος εγχειριδίου.

Αν είναι ενεργοποιημένη η ενδεικτική λυχνία ΠΡΟΣΟΧΗΣ (ΚΟΚΚΙΝΗ) και ο ηχητικός συναγερμός ⑦, ανατρέξτε στην ενότητα «Αντιμετώπιση προβλημάτων» του παρόντος εγχειριδίου.

6. Αφαιρέστε τη γεμάτη φιάλη. Ανατρέξτε στην ενότητα «Αποσύνδεση της φιάλης από τον συμπιεστή» αυτού του κεφαλαίου του εγχειριδίου.
7. Τοποθετήστε τον διακόπτη τροφοδοσίας στη θέση απενεργοποίησης (O).



Για τη λειτουργία και τη χρήση της φιάλης, ανατρέξτε στο ειδικό εγχειρίδιο χρήστη για το συγκρότημα φιάλης/ρυθμιστή.

5 ΣΥΝΤΗΡΗΣΗ

5.1 Πληροφορίες συντήρησης



ΚΙΝΔΥΝΟΣ!

Κίνδυνος ηλεκτροπληξίας

Η μονάδα περιλαμβάνει μεταφερόμενα εξαρτήματα υψηλής πίεσης. Δεν υπάρχουν εξαρτήματα μέσα στο κάλυμμα που επιδέχονται επισκευή από το χρήστη. Για να αποφύγετε τον κίνδυνο ηλεκτροπληξίας, τραυματισμού ή θανάτου:

- ΜΗΝ αφαιρείτε το κάλυμμα.
- Για τις εργασίες επισκευής, απευθυνθείτε σε κατάλληλα καταρτισμένο προσωπικό.



ΠΡΟΕΙΔΟΠΟΙΗΣΗ!

– Μόνο τα μέρη και οι διαδικασίες που προσδιορίζονται στην παρούσα ενότητα πρέπει να εκτελούνται από τον χειριστή. Όλα τα άλλα μέρη και οι διαδικασίες πρέπει να εκτελούνται από εξειδικευμένο τεχνικό.

5.2 Φυσική φθορά

Η Invacare διατηρεί το δικαίωμα να αιτηθεί την επιστροφή οποιουδήποτε αντικειμένου διαθέτει ενδεχόμενο ελάττωμα λόγω κατασκευής. Ανατρέξτε στην εγγύηση του παρόντος εγχειριδίου για συγκεκριμένες πληροφορίες εγγύησης.

Ανατρέξτε στις διαδικασίες του παρόντος εγχειριδίου χρήσης για τον ορθό προγραμματισμό των προληπτικών εργασιών συντήρησης και τη χρήση του προϊόντος.

Αυτή είναι μια απλή γενική οδηγία και δεν περιλαμβάνει αντικείμενα που φέρουν βλάβη λόγω κακής χρήσης. Η ωφέλιμη ζωή εξαρτάται από πολλούς παράγοντες.

Τα στοιχεία και εξαρτήματα φυσικής φθοράς για το προϊόν αυτό αναγράφονται στην παρακάτω λίστα.

- Όλοι οι τύποι φίλτρων
- Όλοι οι τύποι σωληνώσεων

5.3 Διάρκεια λειτουργικής ζωής

Η προσδοκώμενη διάρκεια ζωής αυτού του προϊόντος είναι 5 έτη ή 5.000 ώρες λειτουργίας όταν χρησιμοποιείται σύμφωνα με τις οδηγίες ασφαλείας, τα διαστήματα συντήρησης και με σωστό τρόπο, όπως αναφέρονται στο παρόν εγχειρίδιο. Η τελική διάρκεια λειτουργικής ζωής ενδέχεται να διαφέρει ανάλογα με τη συχνότητα και την ένταση της χρήσης. Η συντήρηση πρέπει να εκτελείται τουλάχιστον κάθε εβδομάδα.

5.4 Αλλαγή του φίλτρου του συμπιεστή



ΠΡΟΕΙΔΟΠΟΙΗΣΗ!

- Τοποθετήστε τον διακόπτη τροφοδοσίας στη θέση απενεργοποίησης (Ο) και αποσυνδέστε τον συμπιεστή από το ρεύμα πριν τον καθαρίσετε.
- ΜΗΝ θέτετε σε λειτουργία τον συμπιεστή αν δεν έχετε τοποθετήσει το φίλτρο.



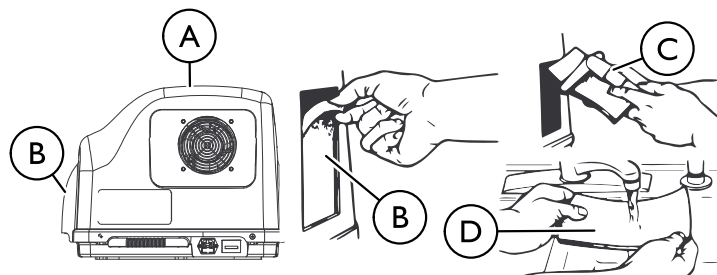
ΠΡΟΣΟΧΗ!

– ΜΗΝ τον αποσυνδέετε τραβώντας το καλώδιο.
Για να τον αποσυνδέετε, πιάστε το βύσμα, όχι το καλώδιο, γιατί μπορεί να προκληθεί ζημιά.



Όλοι οι συμπιεστές διαθέτουν ένα φίλτρο στην πίσω πλευρά του ερμαρίου.

Εκτελείτε αυτήν τη διαδικασία τουλάχιστον μία φορά την εβδομάδα.



1. Αποσυνδέστε τον συμπιεστή από το ρεύμα **A**. Πιάστε το βύσμα, όχι το καλώδιο.
2. Αφαιρέστε το φίλτρο **B**.
3. Καθαρίστε το φίλτρο με ηλεκτρική σκούπα **C** ή πλύνετε το με σαπούνι και νερό και ξεπλύνετε καλά **D**.
4. Στεγνώστε το φίλτρο καλά πριν το ξανατοποθετήσετε.

5.5 Καθαρισμός του ερμαρίου



ΚΙΝΔΥΝΟΣ!

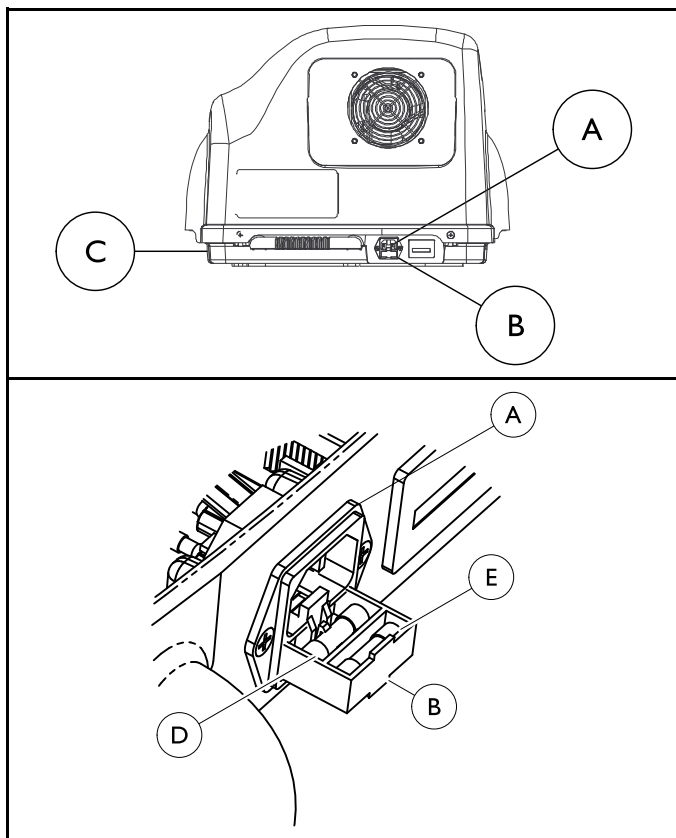
Κίνδυνος ηλεκτροπληξίας

Η μονάδα περιλαμβάνει μεταφερόμενα εξαρτήματα υψηλής πίεσης. Δεν υπάρχουν εξαρτήματα μέσα στο κάλυμμα που επιδέχονται επισκευή από το χρήστη. Για να αποφύγετε τον κίνδυνο ηλεκτροπληξίας, τραυματισμού ή θανάτου:

- ΜΗΝ αφαιρείτε το κάλυμμα.
- Για τις εργασίες επισκευής, απευθυνθείτε σε κατάλληλα καταρτισμένο προσωπικό.

1. Καθαρίζετε το ερμάριο με ήπιο καθαριστικό οικιακής και μη σιλβωτικό ύφασμα ή σφουγγάρι.

5.6 Αντικατάσταση της ασφάλειας



1. Αποσυνδέστε το καλώδιο τροφοδοσίας από την ηλεκτρική υποδοχή.
2. Αφαιρέστε το καλώδιο τροφοδοσίας από την υποδοχή τροφοδοσίας Ⓐ που υπάρχει στη βάση του συμπιεστή Ⓒ.
3. Σύρετε προς τα έξω το συρτάρι ασφαλειών Ⓑ που υπάρχει στο κάτω μέρος της υποδοχής τροφοδοσίας.
4. Χρησιμοποιήστε έναν εξαγωγέα ασφάλειας ή ένα κατασβίδι με μικρή επίπεδη λεπίδα για να αφαιρέσετε την μπροστινή ασφάλεια από το συρτάρι και απορρίψτε την.

i Το συρτάρι ασφαλειών χωράει δύο ασφάλειες. Η μπροστινή θέση προορίζεται για την ασφάλεια λειτουργίας. Η μονάδα παρέχεται μόνο με την μπροστινή ασφάλεια. Η πίσω θέση προορίζεται για μια προαιρετική εφεδρική ασφάλεια. Κατά την αντικατάσταση της μπροστινής ασφάλειας, βεβαιωθείτε ότι υπάρχει μια εφεδρική ασφάλεια ίδιου τύπου και με την ίδια κατάταξη στο συρτάρι.

5. Εισαγάγετε τη νέα ασφάλεια στην υποδοχή της μπροστινής ασφάλειας Ⓓ.

i Χρησιμοποιείτε μόνο τύπους 5 χιλ. x 20 χιλ., με χρονική υστέρηση, χαμηλή ικανότητα αποσύνδεσης, 250 V, 2 Amp, IEC 60127 (Invacare, αριθμός προϊόντος 1099820).

6. Ωθήστε το συρτάρι ασφαλειών ξανά στην υποδοχή τροφοδοσίας.
7. Τοποθετήστε το καλώδιο τροφοδοσίας στην υποδοχή τροφοδοσίας που υπάρχει στη βάση του συμπιεστή.

8. Συνδέστε το καλώδιο τροφοδοσίας στην ηλεκτρική υποδοχή.
9. Ενεργοποιήστε το διακόπτη τροφοδοσίας (I) και ελέγξτε αν η μονάδα ενεργοποιείται σωστά.
10. Αν η μονάδα δεν ενεργοποιείται, κλείστε το διακόπτη τροφοδοσίας, αποσυνδέστε το καλώδιο τροφοδοσίας και επικοινωνήστε με τον αντιπρόσωπό σας, τον προμηθευτή σας ή την Invacare για τεχνική υποστήριξη.

6 μετά από χρήση

6.1 Απόρριψη

Το παρόν προϊόν παρέχεται από περιβαλλοντικά συνειδητοποιημένο κατασκευαστή που συμμορφώνεται με την Οδηγία 2012/19/ΕΕ σχετικά με τα Απόβλητα Ηλεκτρολογικού και Ηλεκτρονικού Εξοπλισμού (ΑΗΗΕ).

Το προϊόν αυτό μπορεί να περιέχει ουσίες οι οποίες ενδέχεται να είναι επιβλαβείς για το περιβάλλον σε περίπτωση απόρριψης σε ακατάλληλα σημεία (χωματερές) σύμφωνα με τη νομοθεσία.

Το σύμβολο με τον διαγραμμένο κάδο απορριμμάτων είναι τοποθετημένο στο προϊόν για να σας προτρέπει να το ανακυκλώνετε όταν είναι εφικτό.

Να τηρείτε τους τοπικούς κανονισμούς και το πρόγραμμα ανακύκλωσης αναφορικά με την απόρριψη της συσκευής ή εξαρτημάτων αυτής τα οποία χρησιμοποιούνται συνήθως κατά τη λειτουργία. Η συσκευή δεν παράγει απόβλητα ή υπολείμματα κατά τη λειτουργία. ΜΗΝ απορρίπτετε τη συσκευή στην κανονική ροή αποβλήτων. Τα εξαρτήματα που δεν απαρτίζουν τη συσκευή ΠΡΕΠΕΙ να τα διαχειρίζεστε σύμφωνα με τη μεμονωμένη σήμανση προϊόντος για την απόρριψη.

Να έχετε οικολογική συνείδηση και να ανακυκλώσετε το προϊόν στο τέλος της ζωής του. Επικοινωνήστε με την Invacare ή με τον πάροχο υπηρεσιών σας για πληροφορίες ανακύκλωσης του προϊόντος.

7 Αντιμετώπιση προβλημάτων

7.1 Ενδεικτικές λυχνίες

Χρώμα ενδεικτικής λυχνίας	Κατάσταση συμπίεσής	Αποτέλεσμα
Κανένα	Ο συμπίεσής είναι απενεργοποιημένος.	Ρέει O ₂ προς τον χρήστη αν ο συγκεντρωτής είναι ενεργοποιημένος.
O ₂ ΚΑΤΩ ΑΠΟ ΤΟ ΦΥΣΙΟΛΟΓΙΚΟ - ΚΙΤΡΙΝΟ	Ο συμπίεσής είναι ενεργοποιημένος και θερμαίνεται (0-3 λεπτά μετά την ενεργοποίηση).	Η πλήρωση της φιάλης δεν ξεκίνησε. Ρέει O ₂ προς τον χρήστη αν ο συγκεντρωτής είναι ενεργοποιημένος.
	Το O ₂ από τον συγκεντρωτή είναι κάτω από 90% (οποτεδήποτε μετά από την προθέρμανση των τριών λεπτών).	Η πλήρωση της φιάλης σταματά, θα ξεκινήσει ξανά όταν το O ₂ θα είναι μεγαλύτερο από 90%. Ρέει O ₂ προς τον χρήστη αν ο συγκεντρωτής είναι ενεργοποιημένος.
ΠΛΗΡΩΣΗ - ΠΡΑΣΙΝΟ	Ο συμπίεσής είναι ενεργοποιημένος και η φιάλη γεμίζει. Το O ₂ από τον συγκεντρωτή είναι κάτω από 90% (οποτεδήποτε μετά από την προθέρμανση των τριών λεπτών).	Η φιάλη γεμίζει.
		Ρέει O ₂ προς τον χρήστη αν ο συγκεντρωτής είναι ενεργοποιημένος.

Χρώμα ενδεικτικής λυχνίας	Κατάσταση συμπίεστή	Αποτέλεσμα
ΠΛΗΡΗΣ - ΠΡΑΣΙΝΟ	<p>Ο συμπίεστής είναι ενεργοποιημένος. Η πλήρωση της φιάλης ολοκληρώθηκε (πλήρης) - αφαιρέστε τη φιάλη (η λυχνία ΠΛΗΡΗΣ ανάβει σε περισσότερο από 10 λεπτά)</p> <p>ή</p> <p>Η φιάλη δεν έχει συνδεθεί σωστά - ελέγξτε τη σύνδεση (η λυχνία ΠΛΗΡΗΣ ανάβει σε λιγότερο από 10 λεπτά).</p>	<p>Η πλήρωση της φιάλης σταματά.</p> <p>Δεν είναι εφικτή η πλήρωση άλλης φιάλης μέχρι να απενεργοποιηθεί και να ενεργοποιηθεί ξανά ο συμπίεστής.</p> <p>Ρέει O₂ προς τον χρήστη αν ο συγκεντρωτής είναι ενεργοποιημένος.</p>
ΠΡΟΣΟΧΗ - ΚΟΚΚΙΝΟ (Ηχητικός συναγερμός)	<p>Ο συμπίεστής είναι ενεργοποιημένος. Η φιάλη ΔΕΝ γεμίζει. Αιτίες:</p> <p>Συνδέθηκε πλήρης φιάλη όταν ενεργοποιήθηκε η μονάδα - αντικαταστήστε με άδεια φιάλη</p> <p>ή</p> <p>Εσωτερική αστοχία - επικοινωνήστε με τον αντιπρόσωπο.</p>	<p>Ο συμπίεστής δεν αρχίζει να γεμίζει ή σταματάει να γεμίζει.</p> <p>Πρέπει να απενεργοποιήσετε και να ενεργοποιήσετε τη μονάδα για να μπορεί να γίνει πλήρωση.</p> <p>Ρέει O₂ προς τον χρήστη αν ο συγκεντρωτής είναι ενεργοποιημένος.</p>

7.2 Αντιμετώπιση προβλημάτων

Πρόβλημα	Λύση
Οι ενδεικτικές λυχνίες δεν ανάβουν κατά την ενεργοποίηση του συμπιεστή.	<ol style="list-style-type: none"> 1. Απενεργοποιήστε τον συμπιεστή (O). 2. Βεβαιωθείτε ότι το καλώδιο τροφοδοσίας είναι σωστά συνδεδεμένο ανάμεσα στον συμπιεστή και την πρίζα. 3. Ενεργοποιήστε τον συμπιεστή (I). 4. Καθαρίστε τα φίλτρα αέρα. Ανατρέξτε στην ενότητα «Καθαρισμός του φίλτρου του συμπιεστή» της ενότητας «Συντήρηση» του εγχειριδίου. 5. Αν εκτελέσετε τα βήματα 1-4 και δεν ανάψουν οι ενδεικτικές λυχνίες, επικοινωνήστε με τον πάροχο υπηρεσιών υγείας σας ή την Invacare για σέρβις.
ΚΟΚΚΙΝΗ λυχνία αναμμένη	<ol style="list-style-type: none"> 1. Ελέγξτε τον μετρητή φιάλης για να δείτε αν είναι γεμάτη: <ul style="list-style-type: none"> • Φιάλη πλήρης - Αφαιρέστε τη φιάλη και απενεργοποιήστε τη μονάδα. Εκτελέστε τον έλεγχο προ-πλήρωσης της φιάλης της ενότητας «Χρήση» του εγχειριδίου με φιάλη που δεν είναι πλήρης. • Η φιάλη δεν είναι γεμάτη - Προχωρήστε στο βήμα 2. 2. Βεβαιωθείτε ότι η φιάλη έχει συνδεθεί σωστά. <ul style="list-style-type: none"> • Απενεργοποιήστε τον συμπιεστή (O). • Αφαιρέστε τη φιάλη και τοποθετήστε την ξανά. • Ενεργοποιήστε τον συμπιεστή (I). Αν η φιάλη δεν είναι γεμάτη και είναι σωστά συνδεδεμένη, ο συμπιεστής μπορεί να παρουσιάζει εσωτερικό σφάλμα. Επικοινωνήστε με τον πάροχο υπηρεσιών υγείας σας ή την Invacare.

Πρόβλημα	Λύση
<p>Ενεργοποίηση και απενεργοποίηση κύκλων συμπιεστή</p> <p>ή</p> <p>O₂ κάτω από το φυσιολογικό</p> <p>οι ενδείξεις (κίτρινη) και πλήρωση (πράσινη) ανάβουν εναλλάξ</p> <p>ή</p> <p>Η ενδεικτική λυχνία O₂ κάτω από το φυσιολογικό (κίτρινη) ανάβει και σβήνει</p>	<ol style="list-style-type: none"> 1. Βεβαιωθείτε ότι η ρύθμιση ροής λίτρων συγκεντρωτή είναι ή λιγότερο από τη ρύθμιση ροής που αναφέρεται στο 4.5 <i>Ενεργοποίηση και απενεργοποίηση συμπιεστή, σελίδα 67</i>. Αν χρειαστεί, προσαρμόστε τη ρύθμιση ροής λίτρων (ανατρέξτε στο εγχειρίδιο χρήστη του συγκεντρωτή). Περιμένετε τουλάχιστον 20 λεπτά να εμφανιστεί η ΠΡΑΣΙΝΗ λυχνία. Αν δεν εμφανιστεί, προχωρήστε στο βήμα 2. 2. Ο συγκεντρωτής ενδέχεται να χρειάζεται σέρβις, επικοινωνήστε με τον πάροχο υπηρεσιών υγείας σας ή την Invacare.
<p>Η ενδεικτική λυχνία O₂ κάτω από το φυσιολογικό (ΚΙΤΡΙΝΟ) παραμένει αναμμένη.</p>	<ol style="list-style-type: none"> 1. Βεβαιωθείτε ότι ο συγκεντρωτής θερμάνθηκε για τουλάχιστον 20 λεπτά. Αν δεν θερμάνθηκε για 20 λεπτά, σβήστε τον συμπιεστή μέχρι να ζεσταθεί ο συγκεντρωτής. Αν η ΚΙΤΡΙΝΗ λυχνία παραμένει αναμμένη, προχωρήστε στο βήμα 2. 2. Ελέγξτε τη σύνδεση ανάμεσα στον συμπιεστή και τον συγκεντρωτή για βλάβη ή συστροφή. <ul style="list-style-type: none"> • Αν έχει υποστεί βλάβη, αντικαταστήστε τον. • Αν έχει συστραφεί, ισιώστε τον σωλήνα. Απενεργοποιήστε τον συμπιεστή (O) για τουλάχιστον 10 δευτερόλεπτα. Ενεργοποιήστε τον συμπιεστή (I). Αν η ΚΙΤΡΙΝΗ λυχνία παραμένει αναμμένη έπειτα από 10 λεπτά, προχωρήστε στο βήμα 3. 3. Ο συγκεντρωτής ενδέχεται να χρειάζεται σέρβις, επικοινωνήστε με τον πάροχο υπηρεσιών υγείας σας ή την Invacare.

Πρόβλημα	Λύση
<p>Οι χρόνοι πλήρωσης υπερβαίνουν τους μέγιστους προτεινόμενους χρόνους πλήρωσης Ή η ΠΡΑΣΙΝΗ λυχνία πλήρωσης παραμένει αναμμένη.</p>	<ol style="list-style-type: none"> 1. Βεβαιωθείτε ότι ο ρυθμιστής φιάλης είναι σε θέση απενεργοποίησης (Ο). 2. Ελέγξτε τους προτεινόμενους χρόνους πλήρωσης που αναφέρονται στο ειδικό εγχειρίδιο για τη φιάλη. 3. Βεβαιωθείτε ότι η φιάλη έχει συνδεθεί σωστά. Απενεργοποιήστε τον συμπιεστή (Ο). Αφαιρέστε τη φιάλη και τοποθετήστε την ξανά. Ενεργοποιήστε τον συμπιεστή (I). 4. Ελέγξτε τη γραμμή συμπιεστή/συγκεντρωτή για σωστή σύνδεση ή/και για βλάβη (π.χ. διαρροές ή συστροφή). 5. Βεβαιωθείτε ότι η ρύθμιση ροής λίτρων συγκεντρωτή είναι ή λιγότερο από τη ρύθμιση ροής που αναφέρεται στο 4.5 <i>Ενεργοποίηση και απενεργοποίηση συμπιεστή, σελίδα 67</i>. Αν χρειαστεί, προσαρμόστε τη ρύθμιση ροής λίτρων (ανατρέξτε στο εγχειρίδιο χρήση του συγκεντρωτή). Αν η ΠΡΑΣΙΝΗ λυχνία πλήρωσης δεν σβήνει, ο συμπιεστής ή/και ο συγκεντρωτής μπορεί να χρειάζονται σέρβις. Επικοινωνήστε με τον πάροχο υπηρεσιών υγείας σας ή την Invacare.
<p>Υπερβολικός θόρυβος όταν ο συμπιεστής είναι ενεργοποιημένος</p>	<ol style="list-style-type: none"> 1. Επικοινωνήστε με τον πάροχο υπηρεσιών υγείας σας ή την Invacare για σέρβις.
<p>Θόρυβος συριγμού από τον ρυθμιστή όταν ο επιλογέας ροής είναι απενεργοποιημένος</p>	<ol style="list-style-type: none"> 1. Απενεργοποιήστε τον επιλογέα ροής. 2. Αν οι θόρυβοι συριγμού παραμένουν, επικοινωνήστε με τον πάροχο υπηρεσιών υγείας σας ή την Invacare.
<p>Ο ρυθμιστής είναι ενεργοποιημένος, αλλά δεν παρέχεται O₂</p>	<ol style="list-style-type: none"> 1. Γεμίστε τη φιάλη 2. Βεβαιωθείτε ότι ο σωληνίσκος είναι ίσιος και δεν έχει συστραφεί. Αν έχει υποστεί βλάβη, αντικαταστήστε τον. 3. Επικοινωνήστε με τον πάροχο υπηρεσιών υγείας σας ή την Invacare για σέρβις.



Για τους σωστούς χρόνους πλήρωσης, ανατρέξτε στο εγχειρίδιο της φιάλης.

Οι χρόνοι πλήρωσης είναι ενδεικτικοί και ενδέχεται να διαφέρουν ανάλογα με τις συνθήκες περιβάλλοντος.

8 Τεχνικά Δεδομένα

8.1 Τεχνική περιγραφή

Το σύστημα οξυγόνου HomeFill II (IOH200AW) είναι ένα ηλεκτρομηχανικό σύστημα φαρμακευτικής αγωγής για οικιακή χρήση. Η λειτουργία και η χρήση για τις οποίες προορίζεται είναι να παρέχει συμπιεσμένο οξυγόνο για την πλήρωση των φιαλών αερίου της Invacare για χρήση σε ασθενοφόρο, ενώ ο ασθενής λαμβάνει θεραπεία οξυγόνου από συγκεντρωτή οξυγόνου. Το σύστημα αερίου IOH200AW έχει σχεδιαστεί για χρήση με συγκεντρωτές οξυγόνου που συμμορφώνονται με τις προδιαγραφές εισόδου σχετικά με την πίεση, τη ροή και την καθαρότητα οξυγόνου.

Το σύστημα οξυγόνου HomeFill II αποτελείται από τον συμπιεστή αερίου IOH200AW, τον σωλήνα σύνδεσης και τις φορητές φιάλες αερίου που παρέχει η Invacare με τον ενσωματωμένο ρυθμιστή ροής και το εξάρτημα ασφάλισης πλήρωσης.

Ο συμπιεστής IOH200AW αποτελείται από έναν συμπιεστή πολλαπλών σταδίων, ένα εσωτερικό ρεζερβουάρ, ένα ηλεκτρονικό σύστημα ελέγχου με έναν ενσωματωμένο αισθητήρα συγκέντρωσης οξυγόνου, εξάρτημα ασφάλισης πλήρωσης, εξάρτημα σύνδεσης εισόδου και μοτέρ κίνησης. Η λειτουργία του συμπιεστή ελέγχεται από το ηλεκτρονικό σύστημα. Το μοτέρ/συμπιεστής μπορεί να γεμίσει μια φιάλη μόνο όταν η συγκέντρωση οξυγόνου της ροής αερίου εισόδου είναι μεγαλύτερη από 90% και η πίεση της φιάλης δεν είναι ακόμη μεγαλύτερη από 1.500 PSI (10.342 kPa). Η λειτουργία πλήρωσης μοτέρ/συμπιεστή ολοκληρώνεται όταν το αέριο στη φιάλη φτάσει τη μέγιστη πίεση πλήρωσης των 2.000 PSI (13.786 kPa).

Ο συμπιεστής IOH200AW μπορεί να γεμίσει φιάλες για φορητή χρήση από ασθενείς σε ασθενοφόρο. Οι φορητές φιάλες αερίου που παρέχει η Invacare διαθέτουν ένα εξάρτημα ασφάλισης πλήρωσης που ταιριάζει μόνο με το συγκρότημα συμπιεστή IOH200AW της Invacare. Η φιάλη αερίου περιέχει επίσης έναν ενσωματωμένο ρυθμιστή ροής με σταθερές, επιλέξιμες ρυθμίσεις ροής.

8.2 Χρόνοι πλήρωσης φιάλης

ΧΡΟΝΟΙ ΠΛΗΡΩΣΗΣ ΦΙΑΛΗΣ	Ρυθμός ροής συγκεντρωτή στον ασθενή:	
		Μοντέλα 5 λίτρων έως 2,5 λίτρα/λεπτό.
	HF2PCE9A	HF2PCE6
ΚΑΝΟΝΙΚΟ	2 ώρες 20 λεπτά	1 ώρα 25 λεπτά
ΜΕΓΙΣΤΟ	2 ώρες 45 λεπτά	1 ώρα 50 λεπτά



Οι τυπικοί χρόνοι πλήρωσης προϋποθέτουν ότι τηρούνται οι απαιτήσεις εισόδου.

Οι χρόνοι πλήρωσης ενδέχεται να διαφέρουν ανάλογα με τις συνθήκες περιβάλλοντος.

8.3 Προδιαγραφές

Λίστες κανονισμών

Λίστες κανονισμών:	EN/IEC 60601-1
	EN/IEC 60601-1-2

Προδιαγραφές εισόδου

Απαιτούμενη πίεση εισόδου:	5 – 25 psi (34,5 – 172,4 kPa)
Απαιτούμενη ροή εισόδου:	2 λίτρα/λεπτό
Είσοδος καθαρότητας οξυγόνου:	>90% O ₂

Γενικές προδιαγραφές

Ηλεκτρική κατάσταση:	230 V~, 1,0 A, 50 Hz
Συνθήκες περιβάλλοντος λειτουργίας:	5 έως 40 °C (41 έως 104° F) σε 15 έως 60% υγρασία χωρίς συμπύκνωση
Ατμοσφαιρική πίεση:	700 έως 1.060 hPa
Αποθήκευση και μεταφορά:	-23 έως 70 °C (-25 έως 158 °F) σε 15 έως 95% υγρασία χωρίς συμπύκνωση.
Πλάτος:	51,44 εκ. (20 ¼ ίντσες)
Ύψος:	38,1 εκ. (15 ίντσες)
Βάθος:	40,64 εκ. (16 ίντσες)

Βάρος:	14,97 κιλά (33 λίβρες)
Βάρος μεταφοράς:	17,69 κιλά (39 λίβρες)

8.4 Ηλεκτρομαγνητική Συμβατότητα (ΗΜΣ)

Οδηγίες και δήλωση του κατασκευαστή—ηλεκτρομαγνητική εκπομπή

Η Συσκευή προορίζεται για χρήση στο ηλεκτρομαγνητικό περιβάλλον που προσδιορίζεται κατωτέρω. Ο πελάτης ή ο χρήστης της Συσκευής θα πρέπει να βεβαιώνονται ότι χρησιμοποιείται στο εν λόγω περιβάλλον.

Δοκιμή εκπομπών	Συμμόρφωση	Ηλεκτρομαγνητικό περιβάλλον - οδηγίες
Εκπομπές ραδιοσυχνοτήτων CISPR 11	Ομάδα I	Η Συσκευή χρησιμοποιεί ενέργεια ραδιοσυχνοτήτων μόνο για την εσωτερική λειτουργία του. Συνεπώς, οι εκπομπές ραδιοσυχνοτήτων του είναι πολύ χαμηλές και δεν είναι πιθανό να προκαλέσουν οποιαδήποτε παρεμβολή σε κοντινό ηλεκτρονικό εξοπλισμό.
Εκπομπές ραδιοσυχνοτήτων CISPR 11	Κλάση B	Η Συσκευή είναι κατάλληλη για χρήση σε όλους τους χώρους, συμπεριλαμβανομένων των οικιακών χώρων και εκείνων που συνδέονται άμεσα με το δημόσιο δίκτυο παροχής ρεύματος χαμηλής τάσης που προμηθεύει κτίρια που χρησιμοποιούνται για οικιακούς σκοπούς.
Εκπομπές αρμονικών IEC 61000-3-2	Κλάση A	
Διακυμάνσεις τάσης / εκπομπές IEC 61000-3-3	Συμμορφώνεται	

Οδηγίες και δήλωση του κατασκευαστή—ηλεκτρομαγνητική θωράκιση

Η Συσκευή προορίζεται για χρήση στο ηλεκτρομαγνητικό περιβάλλον που προσδιορίζεται κατωτέρω. Ο πελάτης ή ο χρήστης της Συσκευής θα πρέπει να βεβαιώνονται ότι χρησιμοποιείται στο εν λόγω περιβάλλον.

Δοκιμή θωράκισης	Επίπεδο δοκιμής IEC 60601	Επίπεδο συμμόρφωσης	Ηλεκτρομαγνητικό περιβάλλον – οδηγίες
Ηλεκτροστατική Εκφόρτιση (ΗΣΕ) IEC 61000-4-2	επαφή $\pm 2, 4, 8$ kV αέρας $\pm 2, 4, 8, 15$ kV	επαφή $\pm 2, 4, 8$ kV αέρας $\pm 2, 4, 8, 15$ kV	Τα δάπεδα θα πρέπει να είναι από ξύλο, μπετόν ή κεραμικά πλακάκια. Αν τα δάπεδα είναι καλυμμένα με συνθετικό υλικό, η σχετική υγρασία θα πρέπει να είναι τουλάχιστον 30%.
Ταχεία ηλεκτρική μετάβαση/ριπή IEC 61000-4-4	ηλεκτρικό δίκτυο ± 2 kV, 100 kHz	ηλεκτρικό δίκτυο ± 2 kV, 100 kHz	Η ποιότητα του ηλεκτρικού δικτύου θα πρέπει να είναι εκείνη ενός τυπικού εμπορικού ή νοσοκομειακού περιβάλλοντος.
Υπέρταση IEC 61000-4-5	Γραμμή (-ές) προς γραμμή (-ές) ± 1 kV Γραμμή (-ές) προς γη (-ές) ± 2 kV	Γραμμή (-ές) προς γραμμή (-ές) ± 1 kV Γραμμή (-ές) προς γη (-ές) ± 2 kV	Η ποιότητα του ηλεκτρικού δικτύου θα πρέπει να είναι εκείνη ενός τυπικού εμπορικού ή νοσοκομειακού περιβάλλοντος.
Βυθίσεις τάσης IEC 61000-4-11	0% U_T ; 1/2 κύκλος στους 0°, 45°, 90°, 135°, 180°, 225°, 270° και 315° και 0% U_T ; 1 κύκλος και 70% U_T ; 25/30 κύκλοι Μονοφασικό: στους 0°	0% U_T ; 1/2 κύκλος @ 0°, 45°, 90°, 135°, 180°, 225°, 270° και 315° και 0% U_T ; 1 κύκλος και 70% U_T , 25/30 κύκλοι Μονοφασικό: στους 0°	Η ποιότητα του ηλεκτρικού δικτύου θα πρέπει να είναι εκείνη ενός τυπικού εμπορικού ή νοσοκομειακού περιβάλλοντος. Αν ο χρήστης της Συσκευής χρειάζεται συνεχιζόμενη λειτουργία κατά τις διακοπές ηλεκτρικού ρεύματος, συνιστάται να ενεργοποιείτε τη Συσκευή από κάποια αδιάκοπη παροχή ενέργειας ή με μπαταρία. Το U_T είναι η τάση δικτύου α. c. πριν από την εφαρμογή του επιπέδου δοκιμής.

<p>Διακοπές τάσης IEC 61000-4-11</p>	<p>0% U_T ; 250/300 κύκλος</p>	<p>0% U_T ; 250/300 κύκλος</p>	<p>Η ποιότητα του ηλεκτρικού δικτύου θα πρέπει να είναι εκείνη ενός τυπικού εμπορικού ή νοσοκομειακού περιβάλλοντος. Αν ο χρήστης της Συσκευής χρειάζεται συνεχιζόμενη λειτουργία κατά τις διακοπές ηλεκτρικού ρεύματος, συνιστάται να ενεργοποιείτε τη Συσκευή από κάποια αδιάκοπη παροχή ενέργειας ή με μπαταρία.</p> <p>Το U_T είναι η τάση δικτύου a. c. πριν από την εφαρμογή του επιπέδου δοκιμής.</p>
<p>Μαγνητικά πεδία συχνότητας ισχύος (50/60 Hz) IEC 61000-4-8</p>	<p>30 A/m, 50/60 Hz</p>	<p>30 A/m, 50/60 Hz</p>	<p>Τα μαγνητικά πεδία συχνότητας ισχύος θα πρέπει να βρίσκονται σε χαρακτηριστικά επίπεδα μιας τυπικής θέσης σε ένα τυπικό εμπορικό ή νοσοκομειακό περιβάλλον.</p>

Αγώγιμες ραδιοσυχνότητες IEC 61000-4-6	3 Vrms, 6 Vrms	3 Vrms, 6 Vrms	<p>Οι φορητές συσκευές επικοινωνίας με ραδιοσυχνότητες δεν θα πρέπει να χρησιμοποιούνται πιο κοντά σε οποιοδήποτε μέρος της Συσκευής, συμπεριλαμβανομένων των καλωδίων, από τη συνιστώμενη απόσταση διαχωρισμού που υπολογίζεται από την εξίσωση που εφαρμόζεται στη συχνότητα του πομπού.</p> <p>Συνιστώμενη απόσταση διαχωρισμού:</p> $d = 1,2VP \quad 150 \text{ kHz έως } 80 \text{ MHz}$
Ακτινοβολούμενες ραδιοσυχνότητες IEC 61000-4-3	10 V/m	10 V/m	$d = 0,35VP \quad 80 \text{ MHz έως } 800 \text{ MHz}$ $d = 0,7VP \quad 800 \text{ MHz έως } 2,5 \text{ GHz}$ <p>όπου P η μέγιστη ονομαστική ισχύς εξόδου του πομπού σε βατ (W) σύμφωνα με τον κατασκευαστή του πομπού και d η συνιστώμενη απόσταση διαχωρισμού σε μέτρα (m).</p> <p>Οι εντάσεις πεδίου από σταθερούς πομπούς ραδιοσυχνοτήτων, όπως προσδιορίζεται από μια ηλεκτρομαγνητική επισκόπηση της θέσης εγκατάστασης,^a θα πρέπει να είναι λιγότερες από το επίπεδο συμμόρφωσης σε κάθε περιοχή συχνοτήτων.^b</p> <p>Ενδέχεται να προκληθούν παρεμβολές κοντά στον εξοπλισμό που φέρει το ακόλουθο σύμβολο:</p>



^a Οι εντάσεις πεδίου από σταθερούς πομπούς, όπως σταθμοί βάσης για ραδιοτηλέφωνα (κινητά/ασύρματα) και κινητή υπηρεσία ξηράς, ερασιτεχνικό ραδιόφωνο, ραδιοφωνική μετάδοση AM και FM και τηλεοπτική μετάδοση, δεν μπορούν να προβλεφθούν θεωρητικά με ακρίβεια. Για την αξιολόγηση του ηλεκτρομαγνητικού περιβάλλοντος λόγω σταθερών πομπών ραδιοσυχνοτήτων, θα πρέπει να εξεταστεί μια ηλεκτρομαγνητική επισκόπηση της θέσης εγκατάστασης. Αν η μετρηθείσα ένταση πεδίου στη θέση στην οποία χρησιμοποιείται η Συσκευή υπερβαίνει το ανωτέρω ισχύον επίπεδο συμμόρφωσης ραδιοσυχνοτήτων, η Συσκευή θα πρέπει να παρακολουθείται για να επιβεβαιώνεται η κανονική λειτουργία. Αν παρατηρηθεί μη φυσιολογική απόδοση, ενδέχεται να χρειαστούν επιπρόσθετα μέτρα, όπως ο επαναπροσανατολισμός ή η επανατοποθέτηση της Συσκευής.

^b Πάνω από την περιοχή συχνοτήτων 150 kHz έως 80 MHz, οι εντάσεις πεδίου θα πρέπει να είναι μικρότερες από [V1] V/m.

Στα 80 MHz και 800 MHz, ισχύει η ανώτερη περιοχή συχνοτήτων.


Συνιστώμενες αποστάσεις διαχωρισμού μεταξύ κινητών συσκευών επικοινωνίας με ραδιοσυχνότητες και της Συσκευής

Η Συσκευή προορίζεται για χρήση σε ηλεκτρομαγνητικό περιβάλλον στο οποίο ελέγχονται οι διαταραχές λόγω ακτινοβολούμενων ραδιοσυχνοτήτων. Ο πελάτης ή ο χρήστης της Συσκευής μπορούν να βοηθήσουν στην αποτροπή ηλεκτρομαγνητικών παρεμβολών, διατηρώντας μια ελάχιστη απόσταση μεταξύ κινητών συσκευών επικοινωνίας με ραδιοσυχνότητες (πομποί) και της Συσκευής, όπως προτείνεται κατωτέρω, σύμφωνα με τη μέγιστη ονομαστική ισχύ εξόδου των συσκευών επικοινωνίας

Ονομαστική μέγιστη ισχύς του πομπού [W]	Απόσταση διαχωρισμού σύμφωνα με τη συχνότητα του πομπού [m]		
	150 kHz έως 80 MHz d = 1,2VP	80 MHz έως 800 MHz d = 0,35VP	800 MHz έως 2,5 GHz d = 0,7VP
0,01	0,12	0,04	0,07
0,1	0,37	0,11	0,22
1	1,17	0,35	0,70
10	3,69	1,11	2,21
100	11,67	3,50	7,00

Για τη μέγιστη ονομαστική ισχύ εξόδου πομπών που δεν αναγράφεται ανωτέρω, η συνιστώμενη απόσταση διαχωρισμού d σε μέτρα (m) μπορεί να υπολογιστεί χρησιμοποιώντας την εξίσωση που εφαρμόζεται στη συχνότητα του πομπού, όπου P η μέγιστη ονομαστική ισχύς εξόδου του πομπού σε βατ (W) σύμφωνα με τον κατασκευαστή του πομπού.

Στα 80 MHz και 800 MHz, ισχύει η απόσταση διαχωρισμού για την ανώτερη περιοχή συχνοτήτων.

 Οι οδηγίες αυτές ενδέχεται να μην ισχύουν σε όλες τις καταστάσεις. Η ηλεκτρομαγνητική διάδοση επηρεάζεται από την απορρόφηση και την αντανάκλαση από κτίρια, αντικείμενα και ανθρώπους.

Contenido

Este manual DEBE ser entregado al usuario final. ANTES de usar este producto lea este manual y guárdelo para futuras referencias.

1 Generalidades	90
1.1 Símbolos	90
1.2 Uso previsto	92
1.3 Indicaciones de uso	93
1.4 Piezas de recambio	93
1.5 Contraindicaciones	93
1.6 Garantía	93
2 Seguridad	94
2.1 Directrices generales	94
2.2 Ubicación de las etiquetas	99
2.3 Información del proveedor	100
2.4 Productos de doble aislamiento	100
2.5 Información acerca de EMC	100
3 Instalación	102
3.1 Desembalaje	102
3.2 Lista de comprobación de la configuración inicial del compresor	102
3.3 Elección de ubicación	103
3.4 Transporte del compresor	104
3.5 Instalación del cable de alimentación	105
3.6 Conexión del compresor al concentrador	105
3.6.1 Conexión del compresor a los concentradores Invacare	105
3.6.2 Conexión del compresor a concentradores que no son de Invacare	106
4 Utilización	107
4.1 Lista de comprobación del funcionamiento del compresor	107
4.2 Inspección de prellenado de la botella	108

4.3 Conexión de la botella al compresor	110
4.4 Desconectar la botella del compresor	112
4.5 Encendido y apagado del compresor	113
5 Mantenimiento	116
5.1 Información de mantenimiento	116
5.2 Desgaste	116
5.3 Vida útil	116
5.4 Limpieza del filtro del compresor	116
5.5 Limpieza de la carcasa	117
5.6 Sustitución del fusible	118
6 Después del uso	120
6.1 Eliminación	120
7 Solución de problemas	121
7.1 Indicadores luminosos	121
7.2 Solución de problemas	123
8 Datos Técnicos	127
8.1 Descripción técnica	127
8.2 Tiempos de llenado de las botellas	127
8.3 Especificaciones	128
8.4 Cumplimiento electromagnético (EMC)	129

1 Generalidades

1.1 Símbolos

Símbolos en el manual

En este manual se utilizan símbolos que hacen referencia a peligros o usos poco seguros que podrían provocar lesiones o daños materiales. A continuación, se muestran las descripciones de estos símbolos.



¡PELIGRO!

– Un peligro indica una situación peligrosa inminente que, si no se evita, tendrá como consecuencia la muerte o lesiones graves.



¡ADVERTENCIA!

– Una advertencia indica una situación potencialmente peligrosa que, si no se evita, podría tener como consecuencia la muerte o lesiones graves.



¡PRECAUCIÓN!

– Una precaución indica una situación potencialmente peligrosa que, si no se evita, podría tener como consecuencia daños materiales, lesiones leves o ambas cosas.



¡IMPORTANTE

– Indica una situación peligrosa que, si no se evita, podría tener como consecuencia daños materiales.



Proporciona consejos útiles, recomendaciones e información para un uso eficiente y sin problemas.

Símbolos del producto

Los siguientes símbolos se encuentran en el compresor, en el embalaje del compresor o en la botella de oxígeno.



Leer el manual (compresor)



El color del fondo del símbolo es azul en las etiquetas de los productos.



Leer el manual (botella)



Riesgo eléctrico



Corriente alterna



Equipo de tipo BF — Piezas aplicadas



Interruptor en la posición de encendido "ON"



Interruptor en la posición de apagado "OFF"



NO fumar



No encender fuego



Clase II, doble aislamiento. Consulte "Productos de doble aislamiento" en la sección "Seguridad" del manual.



Mantener seco durante el transporte o el almacenamiento y durante el uso

IP21

Protección contra objetos extraños con un diámetro de 12,5 mm o superior.

Protección contra gotas de agua en caída vertical.



Fusible



Oxidante



El color del fondo del símbolo es amarillo en las etiquetas de los productos.



Gas no inflamable, tipo de clase 2 (oxígeno)



El color del fondo del símbolo es verde en las etiquetas de los productos.



Temperatura de transporte y almacenamiento



Humedad de transporte y almacenamiento



Recicle este producto. Consulte "Eliminación del equipo y los accesorios" en la sección "Después del uso" del manual.



Cumple con las directivas aplicables de la UE, incluida la Directiva 93/42/CEE relativa a los productos sanitarios



Representante autorizado en la Comunidad Europea



Fabricante

1.2 Uso previsto

El compresor HomeFill de Invacare se ha diseñado para utilizarse únicamente con concentradores de oxígeno que cumplan las especificaciones de entrada que se indican en *8.3 Especificaciones, página 128*

NO utilice el compresor HomeFill de Invacare con ningún otro dispositivo que no sea un concentrador de oxígeno que cumpla los requisitos de entrada del compresor.

El compresor HomeFill de Invacare está destinado a utilizarse como un accesorio de un concentrador de oxígeno que permite al paciente rellenar botellas de oxígeno portátiles individuales para su uso personal.

Este producto se ha diseñado para ser utilizado por un solo paciente en un entorno de atención sanitaria a domicilio en interiores únicamente y no se deberá utilizar para el rellenado de lotes de botellas.

Para utilizar el producto, no se requiere una formación ni conocimientos específicos sobre el producto aparte de los recogidos en este manual.

No se deberá utilizar para suministrar oxígeno durante la recarga.

Este producto deberá ser utilizado por o bajo la supervisión de un adulto solo después de haber leído y comprendido las instrucciones y advertencias de este manual del usuario.



¡ADVERTENCIA!

- El uso de este dispositivo se limita a rellenar las botellas de oxígeno propias de un paciente específico. Las botellas designadas DEBERÁN ser utilizadas ÚNICAMENTE por el paciente al que se le haya prescrito el suministro de oxígeno y no deberán distribuirse a ninguna otra persona con ningún propósito.
- Este dispositivo no está indicado para ningún otro uso.

1.3 Indicaciones de uso

Indicado para permitir al paciente llenar las botellas de oxígeno portátiles para un uso personal.

1.4 Piezas de recambio

Se encuentran disponibles las siguientes piezas de recambio de Invacare:

- Línea de suministro, número de referencia 1105177
- Cable de alimentación, número de referencia 1085605



Estas piezas son modelos básicos. Póngase en contacto con Invacare o con su proveedor para conocer los números de referencia específicos de su país.

1.5 Contraindicaciones

No se conocen contraindicaciones.

1.6 Garantía

Las condiciones de la garantía forman parte de las condiciones generales de cada país donde se vende este producto.

2 Seguridad

2.1 Directrices generales



¡PELIGRO!

Riesgo de daños, lesiones o muerte

Un uso incorrecto del producto podría provocar daños, lesiones o incluso la muerte. En esta sección se ofrece información importante sobre el uso y manejo seguros de este producto.

- NO utilice este producto ni cualquier otro equipo opcional disponible sin antes haber leído y comprendido estas instrucciones y cualquier otro material informativo adicional, como manuales del usuario, manuales de servicio u hojas de instrucciones, que se haya proporcionado con este producto o equipo opcional.
- Si tiene alguna duda relacionada con las advertencias, precauciones o instrucciones, póngase en contacto con un profesional sanitario, su proveedor o un técnico antes de intentar utilizar este equipo.



¡PELIGRO!

Riesgo de daños, lesiones o muerte

Un uso incorrecto del producto podría provocar daños, lesiones o incluso la muerte. En esta sección se ofrece información importante sobre el uso y manejo seguros de este producto.

- Observe TODOS los componentes externos y el embalaje para comprobar si presentan daños. En caso de que se haya producido algún daño o si el producto no funciona correctamente, póngase en contacto con un técnico o con Invacare para su reparación.
- Con objeto de asegurar una instalación, un montaje y un funcionamiento seguros del compresor HomeFill, se DEBERÁN seguir estas instrucciones.
- LA INFORMACIÓN DE ESTE DOCUMENTO ESTÁ SUJETA A CAMBIOS SIN PREVIO AVISO.

**¡PELIGRO!****Riesgo de daños, lesiones o muerte por incendio**

Los tejidos, las sustancias que contienen aceite o petróleo, la grasa, las sustancias oleosas y otros combustibles se inflaman fácilmente y arden con gran intensidad en entornos con elevadas cargas de oxígeno y al entrar en contacto con oxígeno bajo presión. Para evitar daños, lesiones o la muerte por un incendio:

- NO FUME mientras utilice este dispositivo.
- NO utilice el producto cerca del FUEGO o FUENTES DE IGNICIÓN.
- NO utilice lubricantes en el compresor salvo recomendación de Invacare.
- Deben exponerse de manera destacada carteles de NO FUMAR.

**¡PELIGRO!****Riesgo de daños, lesiones o muerte por incendio**

Los tejidos, las sustancias que contienen aceite o petróleo, la grasa, las sustancias oleosas y otros combustibles se inflaman fácilmente y arden con gran intensidad en entornos con elevadas cargas de oxígeno y al entrar en contacto con oxígeno bajo presión. Para evitar daños, lesiones o la muerte por un incendio:

- Evite que se produzcan chispas cerca de los equipos de oxígeno, incluidas las chispas generadas por electricidad estática que pueden crearse por algún tipo de fricción.
- Mantenga cerillas, cigarrillos encendidos y otras fuentes de ignición alejados de la estancia en la que se encuentre este compresor y alejados del lugar en que se suministra el oxígeno.
- Mantenga los tubos de oxígeno, el cable y el compresor alejados de mantas, colchas, cojines, ropa y superficies calientes, como calentadores, estufas y equipos eléctricos similares.



¡PELIGRO!

Riesgo de daños, lesiones o muerte por incendio

Los tejidos, las sustancias que contienen aceite o petróleo, la grasa, las sustancias oleosas y otros combustibles se inflaman fácilmente y arden con gran intensidad en entornos con elevadas cargas de oxígeno y al entrar en contacto con oxígeno bajo presión. Para evitar daños, lesiones o la muerte por incendio:

- NO PERMITA que la grasa de las manos o de otras fuentes entre en contacto con el acoplamiento del compresor o los accesorios de la botella. Estas sustancias podrían volverse inflamables en presencia de oxígeno y provocar lesiones. Evite tocar los accesorios de la botella siempre que sea posible. Algunos ejemplos de productos que deberán evitarse son las cremas o lociones para manos, los aceites comestibles, los aceites o protectores solares y otras sustancias oleosas similares. Si utiliza este tipo de productos, Invacare recomienda lavarse las manos antes de utilizar la unidad HomeFill. Si el accesorio de la botella entra en contacto con dichas sustancias, deberá limpiarse con un paño húmedo antes de que se conecte al compresor.



¡PELIGRO!

Riesgo de daños, lesiones o muerte por incendio

Los tejidos, las sustancias que contienen aceite o petróleo, la grasa, las sustancias oleosas y otros combustibles se inflaman fácilmente y arden con gran intensidad en entornos con elevadas cargas de oxígeno y al entrar en contacto con oxígeno bajo presión. Para evitar daños, lesiones o la muerte por incendio:

- NUNCA engrase ni lubrique el acoplamiento del compresor o los accesorios de la botella. NUNCA utilice aceites ni lubricantes penetrantes, como WD-40® o 3-in-1 Oil®. Si tiene problemas para realizar la conexión, compruebe que el accesorio de la botella esté insertado hasta el fondo en el acoplamiento del compresor. Si no consigue solucionar el problema, solicite ayuda al proveedor.



¡PELIGRO!

Riesgo de descarga eléctrica

Esta unidad contiene componentes en movimiento y de alta presión. Dentro de la cubierta no hay ninguna pieza que pueda reparar el usuario. Para evitar descargas eléctricas, lesiones o la muerte:

- NO retire la cubierta.
- Para cualquier operación de mantenimiento recurra al personal cualificado.

**¡ADVERTENCIA!****Riesgo de lesión grave o daños**

- El uso de accesorios que no son de Invacare pueden producir lesiones graves o daños graves.
- Los productos Invacare están específicamente diseñados y fabricados para utilizarse con los accesorios Invacare. Invacare no ha probado los accesorios diseñados por otros fabricantes y, por consiguiente, estos no están recomendados para su empleo con los productos Invacare.
 - No se permite ninguna modificación de este equipo.
 - NO utilice accesorios que no sean de Invacare.
 - Para obtener accesorios Invacare, póngase en contacto con Invacare por teléfono o en www.invacare.com.

**¡ADVERTENCIA!****Riesgo de daños o lesiones**

- Un producto dañado puede funcionar de forma indebida y producir daños o lesiones. Para evitar daños o lesiones:
- NO humedezca el compresor.
 - Si el compresor presenta daños en el cable de alimentación o en el enchufe, si no funciona correctamente, si se ha caído o presenta daños, o si se ha sumergido en agua, póngase en contacto con un técnico cualificado para que lo examine y repare.

**¡ADVERTENCIA!****Riesgo de daños o lesiones**

- Si se bloquea el flujo de aire en la entrada o la salida del compresor, se podrían producir lesiones o daños.
- NUNCA bloquee las aberturas de ventilación del producto, ni lo coloque sobre una superficie blanda, como una cama o un sofá donde estas puedan bloquearse.
 - Mantenga las aberturas libres de pelusas, pelos y elementos similares.



¡ADVERTENCIA!

- NO utilice el compresor en exteriores. Solo podrá utilizarse en interiores.
- En caso de que se detectase cualquier fuga en la botella de oxígeno, NO intente utilizarla. Gire el botón del selector de flujo en el regulador a la posición "Off". En caso de que persistiera la fuga, coloque la botella en el exterior y notifique este problema a su proveedor de asistencia sanitaria a domicilio o al representante del servicio técnico.
- Los niños SIEMPRE deberán estar supervisados por un adulto cuando se encuentren cerca de la unidad HomeFill. Cuando se utilice con la mesa HomeFill o superficies de apoyo elevadas similares, un niño podría arrastrar dicha mesa o superficie similar y hacer que se cayera la unidad. Si no se sigue esta advertencia, se podrían producir lesiones personales o daños en la unidad.



¡ADVERTENCIA!

Riesgo de daños o lesiones

- HomeFill cuenta con una válvula de escape de alta presión para garantizar la seguridad del usuario. Al activarse, esta función de seguridad emitirá un sonido muy fuerte. Para evitar daños o lesiones:
- Si se produce este sonido, desconecte la unidad y póngase en contacto con su proveedor de asistencia sanitaria a domicilio o con el representante del servicio técnico.



¡ADVERTENCIA!

Riesgo de daños, lesiones o muerte

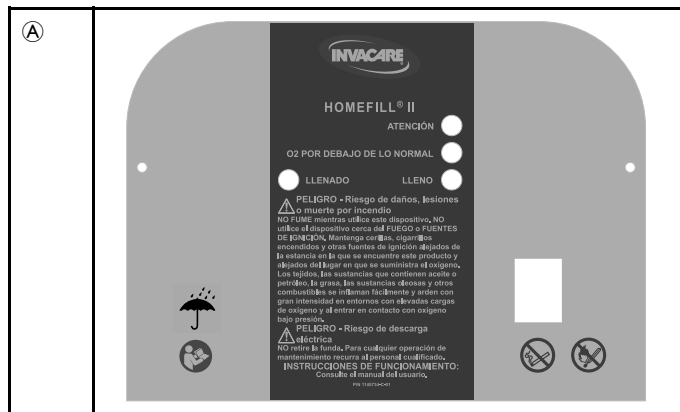
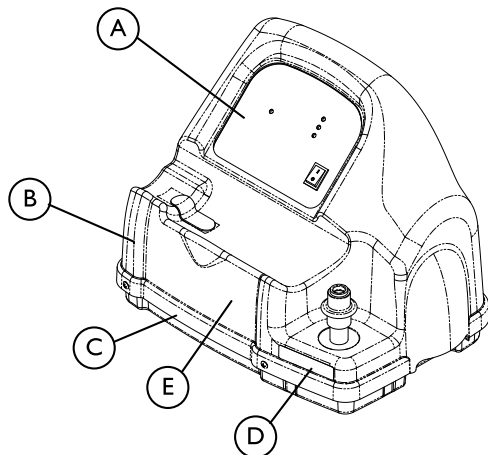
- Si el cable de alimentación y el tubo de interconexión no se colocan o fijan correctamente, podrían producir lesiones por tropiezos, caídas y estrangulamiento. También podrían producirse daños en el producto.
- Guarde y coloque correctamente los tubos o los cables eléctricos para evitar tropiezos y riesgos de estrangulamiento.
 - Evite colocar los cables de alimentación en zonas de mucho tráfico.
 - Antes de mover o volver a ubicar el compresor o el concentrador, desconecte SIEMPRE los cables de alimentación de CA y el tubo de interconexión entre el compresor y el concentrador.




¡PRECAUCIÓN!

- En virtud de la legislación, este dispositivo solo podrá venderse a un médico autorizado o bajo la prescripción de este, con arreglo a las leyes de la institución gubernamental en la que ejerza su actividad profesional.
- SOLO un médico autorizado podrá prescribir la compra o el uso de este dispositivo.

2.2 Ubicación de las etiquetas



B	<p>⚠ DANGER Risk of Death, Injury or Damage from Fire Keep all connections free of oil and grease to avoid violent ignition. See user manual before cleaning. 1075220-D-00</p>
C	<p>⚠ DANGER Risk of Electric Shock DO NOT REMOVE UNIT COVER This unit contains moving and high pressure components. Manufacturer Service Only. 1075221-C-01</p>
D	<p>⚠ DANGER Risk of Death, Injury or Damage from Fire Keep all connections free of oil and grease to avoid violent ignition. See user manual before cleaning. Never oil or lubricate coupling. Cylinders filled on this unit MUST be labeled "Contents of this cylinder are the product of an oxygen concentrator." 1075238-D-00</p>
E	<p>⚠ PELIGRO</p> <p>Riesgo de daños, lesiones o muerte por incendio Mantenga todas las conexiones limpias de aceite y grasa para evitar un encendido violento. Consulte el manual del usuario antes de la limpieza. Nunca aplique aceite ni lubricación al acoplamiento. Los cilindros llenados en esta unidad DEBEN etiquetarse como "El contenido de este cilindro son resultado de un concentrador de oxígeno."</p> <p>Riesgo de descarga eléctrica NO RETIRE LA FUNDA DE LA UNIDAD Esta unidad contiene componentes en movimiento y de alta presión. Solo mantenimiento por parte del fabricante.</p> <p>ANTES DE ACOPLAR EL CILINDRO EMPUJE EL MANGUITO HACIA ABAJO HASTA QUE SE VEAN LOS PUNTOS VERDES.</p>  <p>114881-0-01</p>

2.3 Información del proveedor



Invacare recomienda dejar al paciente una botella de oxígeno llena tras instalar el compresor HomeFill.

Antes de dejar a un usuario el compresor HomeFill, se deberá comprobar lo siguiente:

- Asegúrese de que el test de presión de la botella no haya caducado.
- Consulte en la sección "Cumplimiento electromagnético (EMC)" la información sobre el funcionamiento del dispositivo y los posibles problemas de RF. Consulte "Información acerca de EMC".
- Dé instrucciones al usuario sobre el funcionamiento seguro del concentrador y revise todas las advertencias.
- Dé instrucciones al usuario acerca del funcionamiento seguro del compresor HomeFill y revise todas las advertencias.
- Deje al usuario una botella de oxígeno llena.
- Deje al usuario una copia de todas las advertencias y las instrucciones de llenado.

2.4 Productos de doble aislamiento



¡PRECAUCIÓN!

- NO desenchufe el cable de alimentación tirando del cable. Para desenchufarlo, agarre el enchufe, no el cable, de lo contrario, pueden producirse daños.

En un producto de doble aislamiento, se ofrecen dos sistemas de aislamiento, en lugar de conexión a tierra. En un producto con doble aislamiento, no se requieren medios

de conexión a tierra y tampoco es necesario añadirlos al producto. Un producto con doble aislamiento se marca con las palabras "DOBLE AISLAMIENTO" o "CON AISLAMIENTO DOBLE" o bien con el símbolo:



2.5 Información acerca de EMC



¡ADVERTENCIA!

Riesgo de daños o lesiones

Para reducir el riesgo de sufrir lesiones o de que se produzcan daños en el producto por las interferencias con equipos inalámbricos:

- Mantenga el compresor al menos a 3 m (9,8 pies) de distancia de equipos de comunicación inalámbricos como, por ejemplo, dispositivos de red domésticos inalámbricos, teléfonos móviles, teléfonos inalámbricos y sus bases, walkie-talkies, etc.



¡ADVERTENCIA!

- El uso de accesorios y cables diferentes a los especificados o proporcionados por Invacare podría provocar un aumento de las emisiones electromagnéticas o una disminución de la inmunidad electromagnética de este equipo que podrían dar lugar a un funcionamiento incorrecto.

El equipo eléctrico médico deberá instalarse y utilizarse de acuerdo con la información de EMC de este manual.

Este equipo se ha probado y cumple con los límites de EMC establecidos por IEC/EN 60601-1-2 para equipos de Tipo BF. Estos límites están destinados a ofrecer una protección razonable frente a las interferencias electromagnéticas en un entorno doméstico típico de asistencia sanitaria. El uso de este equipo en un entorno con mayores niveles de interferencias podría afectar a la precisión de la concentración de oxígeno en la botella. Este equipo no se ha diseñado para utilizarse en un entorno de atención sanitaria profesional.

Los equipos de comunicaciones de RF portátiles y móviles pueden afectar al funcionamiento de este equipo. El compresor podrá colocarse encima del concentrador de oxígeno compatible HomeFill de Invacare durante la instalación. Se deberá observar el funcionamiento del compresor para comprobar el llenado normal de la botella en cualquier situación.

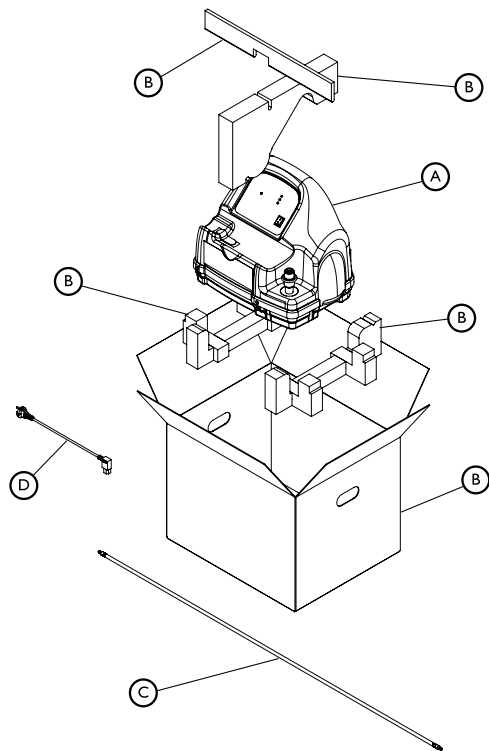
Otros dispositivos podrían experimentar interferencias incluso de bajos niveles de emisiones electromagnéticas permitidos por el estándar anterior. Para determinar si las emisiones del compresor están causando las interferencias, apague el compresor. Si cesan las interferencias con el funcionamiento del otro dispositivo, el compresor será entonces la causa de dichas interferencias. En esos casos excepcionales, las interferencias se podrán reducir o corregir tomando una de las siguientes medidas:

- Reposicionar, reubicar o aumentar la separación entre los dispositivos.
- Conectar cualquiera de los dispositivos con alimentación de línea a un circuito de alimentación eléctrica diferente.

Para obtener más información, consulte *8.4 Cumplimiento electromagnético (EMC)*, página 129

3 Instalación

3.1 Desembalaje



DESCRIPCIÓN	
Conjunto del compresor	A
Embalaje	B
Línea de suministro	C
Cable de alimentación	D
Manual del usuario (no se muestra)	N/D

1. Compruebe si la caja o su contenido han sufrido algún daño evidente. Si así fuera, notifíquese a la empresa de transporte o a su proveedor local.
2. Retire todo el embalaje suelto de la caja.
3. Retire con cuidado todos los componentes de la caja.



Salvo que el compresor vaya a emplearse de FORMA INMEDIATA, guárdelo en su embalaje hasta que tenga que utilizarse.

3.2 Lista de comprobación de la configuración inicial del compresor



SOLO proveedores: consulte la información para proveedores en la sección "Seguridad" de este manual antes de realizar este procedimiento.



SOLO usuarios: póngase en contacto con su proveedor de Invacare o con Invacare para obtener ayuda con el procedimiento de configuración y para notificar un funcionamiento inesperado o cualquier tipo de incidencia que surja.

Antes de utilizar el compresor HomeFill por primera vez, siga estos pasos:

- Elija una ubicación para el compresor.
- Transporte el compresor a la ubicación elegida.
- Conecte el cable de alimentación al compresor.
- Conecte el compresor al concentrador.

3.3 Elección de ubicación



¡PELIGRO!

Riesgo de daños, lesiones o muerte por incendio

Los tejidos, las sustancias que contienen aceite o petróleo, la grasa, las sustancias oleosas y otros combustibles se inflaman fácilmente y arden con gran intensidad en entornos con elevadas cargas de oxígeno y al entrar en contacto con oxígeno bajo presión. Para evitar daños, lesiones o la muerte por un incendio:


- NO FUME mientras utilice este dispositivo.
- NO utilice el producto cerca del FUEGO o FUENTES DE IGNICIÓN.
- NO utilice lubricantes en el compresor salvo recomendación de Invacare.
- Deben exponerse de manera destacada carteles de NO FUMAR.
- Evite que se produzcan chispas cerca de los equipos de oxígeno, incluidas las chispas generadas por electricidad estática que pueden crearse por algún tipo de fricción.
- Mantenga cerillas, cigarrillos encendidos y otras fuentes de ignición alejados de la estancia en la que se encuentre este compresor y alejados del lugar en que se suministra el oxígeno.
- Mantenga los tubos de oxígeno, el cable y el compresor alejados de mantas, colchas, cojines, ropa y superficies calientes, como calentadores, estufas y equipos eléctricos similares.

El compresor deberá estar situado a 7,6 cm (3 pulgadas) como mínimo de paredes, cortinas o mobiliario para asegurar un flujo de aire suficiente.

Evite colocar el compresor junto a calentadores, radiadores o rejillas de aire caliente.

NO lo utilice en un armario.

El compresor debe estar colocado sobre una superficie dura, estable y plana, como una mesa o un soporte Ready Rack.

 El soporte HomeFill Ready Rack se vende por separado y se utiliza para colocar el compresor HomeFill sobre un concentrador de oxígeno Perfecto₂ o Platinum®. Consulte la hoja de instrucciones de HomeFill Ready Rack, números de referencia 1148363 y 1134824, para obtener más información.

3.4 Transporte del compresor



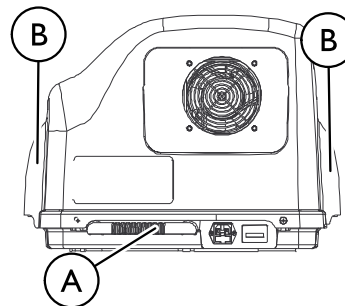
¡ADVERTENCIA!

– NUNCA transporte el compresor con una botella conectada o almacenada en el mismo, ya que podría sufrir lesiones o causar daños.



¡PRECAUCIÓN!

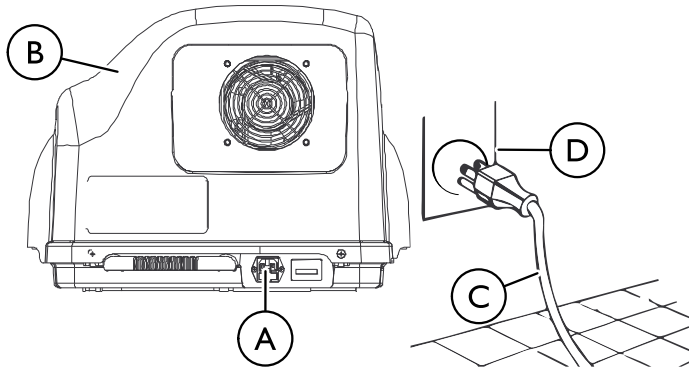
– Al transportar el compresor, tenga cuidado para no golpear el compresor o los conectores con ningún obstáculo. De lo contrario, el compresor podría sufrir daños.



1. Existen dos métodos para transportar el compresor con seguridad:

- Una mano - Agarre la empuñadura **A** de la parte inferior trasera del compresor.
- Dos manos - Agarre las empuñaduras **B** situadas en los laterales del compresor.

3.5 Instalación del cable de alimentación



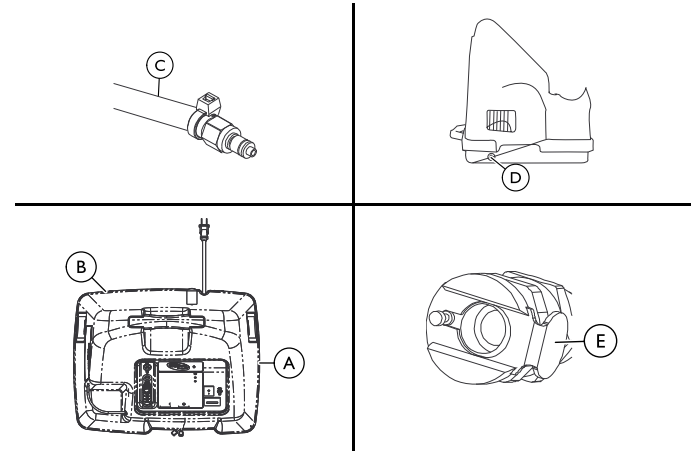
1. Elija una ubicación idónea. Consulte Elección de ubicación en esta sección del manual.
2. Asegúrese de que el interruptor de alimentación esté en la posición de apagado (O).
3. Enchufe el cable de alimentación en el conector eléctrico (A) de la parte posterior del compresor (B).
4. Enchufe el extremo opuesto del cable de alimentación (C) en la toma de la pared (D).
5. Deje una separación mínima de 7,6 cm (3 pulgadas) con los extremos del cable de alimentación para facilitar el acceso para la desconexión.



La toma de alimentación actúa como dispositivo de desconexión de la red eléctrica para cortar todo el suministro de energía a la unidad cuando se desconecta el cable.

3.6 Conexión del compresor al concentrador

3.6.1 Conexión del compresor a los concentradores Invacare



1. Inserte un extremo del tubo de interconexión (C) en el puerto de salida (B) de la parte posterior del concentrador (A).
2. Inserte el extremo opuesto del tubo de interconexión en el puerto de entrada (D) del lateral del compresor.



Las pestañas metálicas (E) del puerto de salida del concentrador y del puerto de entrada del compresor saldrán automáticamente con un sonido de "clic" cuando el extremo del tubo de interconexión esté instalado correctamente.

3.6.2 Conexión del compresor a concentradores que no son de Invacare

1. Consulte las especificaciones de gas de salida que figuran en el manual del usuario del concentrador de oxígeno para comprobar la compatibilidad con los requisitos de gas de entrada del compresor HomeFill que se indican en *8.3 Especificaciones, página 128*
2. Consulte el manual del usuario del concentrador de oxígeno para ver las instrucciones de conexión.

4 Utilización

4.1 Lista de comprobación del funcionamiento del compresor

Cada vez que el compresor HomeFill se emplee para llenar una botella, compruebe lo siguiente:

- Asegúrese de que el concentrador haya estado encendido durante al menos treinta minutos. Consulte el manual del usuario del concentrador.
- Realice la inspección de prellenado de la botella.
- Conecte la botella al compresor.
- Coloque el interruptor de alimentación del compresor en la posición de encendido (I).
- Observe los indicadores luminosos del panel de control.
- Desconecte y retire la botella llena.
- Coloque el interruptor de alimentación del compresor en la posición de apagado (O).
- Si llena otra botella, repita estas comprobaciones.

Fecha de prueba hidrostática

SE DEBERÁ someter a las botellas de aluminio a pruebas hidrostáticas cada diez años.



¡ADVERTENCIA!

Riesgo de lesiones

Para reducir el riesgo de lesiones:

- NO llene las botellas que no se hayan sometido a pruebas en los últimos diez años. De lo contrario, podrían producirse lesiones personales graves. Póngase en contacto con el proveedor de su equipo para sustituirlo.

Examen externo

1. Inspeccione la parte externa de la botella para determinar si presenta alguno de los defectos siguientes y, si es así, sustitúyala:
 - Abolladuras o pequeños aplastamientos
 - Quemaduras eléctricas
 - Aceite o grasa
 - Cualquier otro signo de daño que pudiera hacer que una botella resultase inaceptable o poco segura para su uso.
2. Inspeccione la botella para determinar si presenta daños térmicos o por fuego. Un indicio de que se hayan producido este tipo de daños podría ser que la pintura (u otro revestimiento protector o indicador sensible al calor) se hubiese carbonizado o desprendido. Si se detectan daños térmicos o por fuego, sustituya la botella.
3. Inspeccione el conjunto de botella/regulador para ver si presenta alguno de los siguientes aspectos y, si es así, sustitúyalo:
 - Suciedad, aceite o grasa
 - Signos notables de daños
 - Signos de corrosión dentro de la válvula
 - Signos de calor excesivo o daños por fuego

4.3 Conexión de la botella al compresor



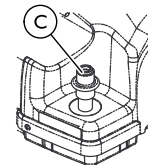
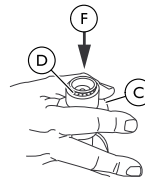
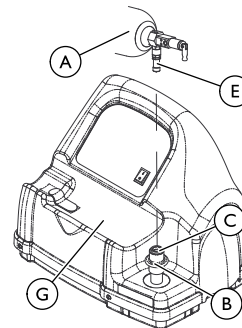
¡ADVERTENCIA!

- NUNCA utilice herramientas para conectar/desconectar la botella y el compresor. De lo contrario, podrían producirse lesiones graves o desperfectos.



¡ADVERTENCIA!

- NO deje caer las botellas de oxígeno. Emplee las dos manos cuando manipule o transporte las botellas de oxígeno. De lo contrario, podrían producirse lesiones o daños.
- NO utilice un detector de fugas de líquidos para comprobar si existen fugas.



No se muestran las tapas del puerto de llenado para una mayor claridad.

1. Antes de cada uso, inspeccione el producto para detectar daños visibles. Consulte la sección "Examen externo". Si detecta algún desperfecto, NO utilice el producto.



Si, por algún motivo, no puede leer alguna etiqueta o falta alguna etiqueta, póngase en contacto con el proveedor de su equipo.

2. Observe el manómetro de la botella. Si la presión está por debajo de 1500 psig (10342 kPa), continúe con el PASO 3.



Para saber dónde se encuentra el manómetro de la botella, consulte el manual de la botella. Si la presión de la botella es **superior** a 1500 psig (10342 kPa), NO intente llenarla hasta el nivel máximo. Quizá no se llene.

3. Sitúe el disco de flujo del regulador de la botella (A) en la posición de apagado. Consulte el manual de la botella.
4. Quite las tapas del puerto de llenado de la botella y del conector (si están puestas).

5. Presione HACIA ABAJO momentáneamente el anillo externo (manguito) (B) del puerto de llenado del conector (C) hasta que aparezcan puntos VERDES (D) para restablecer el conector.



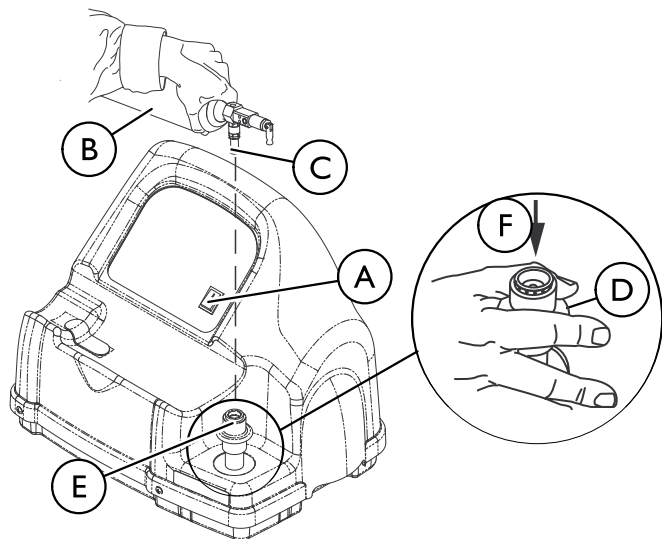
Si el anillo externo (manguito) está en posición HACIA ARRIBA (no se ven puntos VERDES), el puerto de llenado del conector no podrá aceptar el puerto de llenado de la botella (E). Empújelo HACIA ABAJO (F) momentáneamente para que el puerto de llenado del conector (puntos VERDES visibles) acepte el puerto de llenado de la botella.

6. Agarre la botella por la zona situada detrás el puerto de llenado.
7. Coloque la botella en la base del compresor (G).
8. Alinee el puerto de llenado de la botella con el puerto de llenado del conector.
9. Tire HACIA ARRIBA del anillo externo (manguito) del puerto de llenado del conector a la vez que presiona HACIA ABAJO la botella, con el fin de acoplar el puerto de llenado de la botella en el puerto de llenado del conector.



La botella estará conectada correctamente cuando se escuche un "clic".

4.4 Desconectar la botella del compresor



3. Con la otra mano, tome el anillo externo (manguito) del puerto de llenado del conector (E) y presione HACIA ABAJO (F).
4. Levante la botella para retirarla del puerto de llenado del conector.

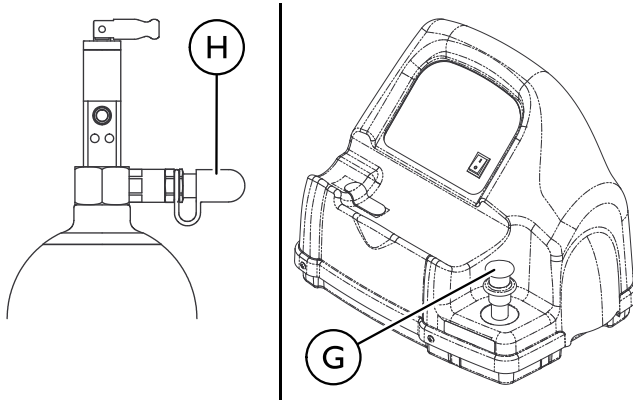


¡ADVERTENCIA!

– NUNCA utilice herramientas para conectar/desconectar la botella y el compresor. De lo contrario, podrían producirse lesiones graves o desperfectos.

1. Ponga el interruptor del compresor (A) en posición de apagado (O).
2. Sujete la botella (B) en el área situada tras el puerto de llenado de la botella (C).

5. Cuando se desconecte el puerto de llenado de la botella del puerto de llenado del conector, libere el anillo externo (manguito) del puerto de llenado del conector y utilice ambas manos para retirar la botella de la base del compresor.



¡ADVERTENCIA!

– Se **DEBEN** volver a colocar las tapas del puerto de llenado del conector y del puerto de llenado de la botella después del llenado y siempre que no estén en uso. Si falta alguna de las tapas del puerto de llenado, póngase en contacto con su proveedor sanitario antes del uso.

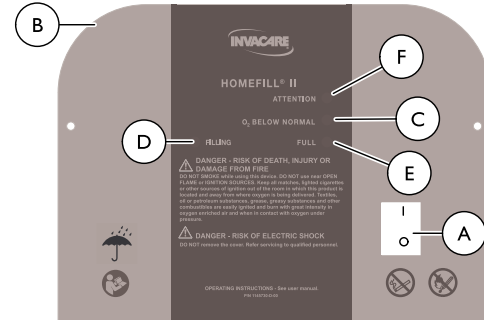
6. Coloque las tapas en el puerto de llenado del conector **©** y en el puerto de llenado de la botella **Ⓜ**.




Al utilizar la botella de tipo de válvula posterior, conecte un regulador de oxígeno según las instrucciones del fabricante.

7. Examine el manómetro de la botella para asegurarse de que esté llena (con la aguja señalando la zona VERDE). Si la botella no está llena, haga lo siguiente:
- Repita el procedimiento para conectar la botella al compresor en esta sección del manual.
 - Si la botella no se llena después de un segundo intento, póngase en contacto con el proveedor.


4.5 Encendido y apagado del compresor



1. Asegúrese de que el concentrador esté encendido. Consulte el manual del usuario del concentrador.


 En la tabla siguiente se muestra el caudal de oxígeno máximo del concentrador para uso del paciente. De lo contrario, el nivel de oxígeno del compresor será inferior al 90 % y el compresor no llenará la botella.

Concentrador de oxígeno	Flujo de salida máximo para uso del paciente
Modelos de 5 l	2,5 l/min
Modelos de 9 l	5 l/min


 Los pacientes que tienen prescrito un flujo superior no deberán rellenar una botella mientras reciben el tratamiento de oxígeno adicional del concentrador de oxígeno. Si el concentrador no se ajusta a los rangos de la tabla, consulte el manual del usuario o póngase en contacto con su proveedor.

2. Ajuste el caudal del concentrador al paciente en uno de las siguientes configuraciones. Consulte el manual del usuario del concentrador.

- 2,5 l/min o inferior para modelos de 5 l
- 5 l/min o inferior para modelos de 9 l

 Los concentradores que no son de Invacare podrían requerir menores caudales de salida al paciente para proporcionar unos niveles de oxígeno $\geq 90\%$ al compresor HomeFill.

3. Asegúrese de que la botella esté conectada al compresor. Consulte "Conexión de la botella al compresor" en esta sección del manual.
4. Coloque el interruptor de alimentación **A** del panel de control en la posición de encendido (I).
5. Compruebe el panel de control **B**. Deberá producirse la siguiente secuencia de eventos:
 - a. De 0 a 3 minutos - La luz de O₂ por debajo de lo normal (AMARILLA) **C** se iluminará mientras el compresor se calienta.
 - b. Después de tres minutos - Se encenderá la luz de LLENADO (verde) **D** mientras se esté llenando la botella.
 - c. La luz de LLENO (verde) **E** se encenderá cuando la botella termine de llenarse. Continúe con el PASO 6.

 La luz de O₂ POR DEBAJO DE LO NORMAL (AMARILLA) podría encenderse si el nivel de oxígeno del concentrador no ha alcanzado el 90 % o cae por debajo de esa cifra. El compresor comenzará o reanudará el llenado cuando el nivel de oxígeno alcance el 90 %. Si la luz no se apaga en 10 minutos, consulte la sección "Solución de problemas" de este manual. Si se enciende la luz de ALERTA (ROJA) y se activa la alarma audible **F**, consulte la sección "Solución de problemas" de este manual.

6. Retire la botella llena. Consulte "Desconexión de la botella del compresor" en esta sección del manual.
7. Coloque el interruptor de alimentación en la posición de apagado (O).



Para conocer el manejo y el uso de la botella, consulte el manual del usuario específico del conjunto de botella/regulador.

5 Mantenimiento

5.1 Información de mantenimiento



¡PELIGRO!

Riesgo de descarga eléctrica

Esta unidad contiene componentes en movimiento y de alta presión. Dentro de la cubierta no hay ninguna pieza que pueda reparar el usuario. Para evitar descargas eléctricas, lesiones o la muerte:

- NO retire la cubierta.
- Para cualquier operación de mantenimiento recurra al personal cualificado.



¡ADVERTENCIA!

– El operario solo debe encargarse de las piezas y los procedimientos que se identifican en esta sección. Un técnico cualificado debe encargarse de las demás piezas y procedimientos.

5.2 Desgaste

Invacare se reserva el derecho de solicitar la devolución de cualquier artículo que tenga un posible defecto de mano de obra. Consulte la sección sobre garantía en este manual para obtener información específica sobre la misma.

Consulte los procedimientos en este manual del usuario para conocer la programación de mantenimiento preventivo y el uso adecuados del producto.

Estas son solo unas directrices generales y no incluyen los artículos dañados debido al abuso y mal uso. La vida útil depende de muchos factores.

El desgaste normal de los artículos y componentes de este producto se enumera a continuación.

- Todos los tipos de filtros
- Todos los tipos de tubos

5.3 Vida útil

La vida útil prevista para este producto es de 5 años o 5000 horas de uso, siempre y cuando se utilice de conformidad con las instrucciones de seguridad y se respeten los intervalos de mantenimiento y las instrucciones de uso correcto indicadas en el presente manual. La vida útil real puede variar en función de la frecuencia y la intensidad de uso. Las tareas de mantenimiento deberán realizarse al menos cada semana.

5.4 Limpieza del filtro del compresor




¡ADVERTENCIA!

- Pulse el interruptor de alimentación para colocarlo en la posición de apagado (O) y desenchufe el compresor antes de la limpieza.
- NO ponga en funcionamiento el compresor sin el filtro instalado.

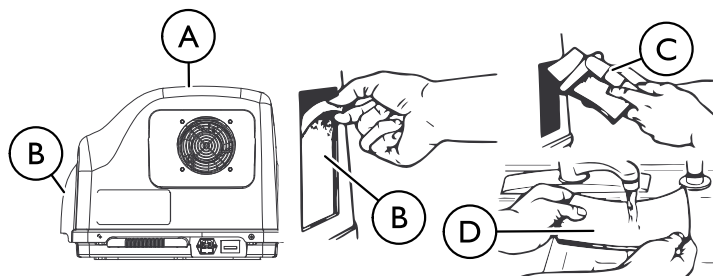


¡PRECAUCIÓN!

- NO lo desenchufe tirando del cable. Para desenchufarlo, agarre el enchufe, no el cable, de lo contrario, pueden producirse daños.

 Todos los compresores disponen de un filtro situado en la parte posterior de la carcasa.

Realice este procedimiento al menos una vez a la semana.



1. Desenchufe el compresor **A**. Agarre el enchufe, no el cable.
2. Retire el filtro **B**.
3. Limpie el filtro con un aspirador **C** o lávelo en agua tibia jabonosa y enjuáguelo a fondo **D**.
4. Seque el filtro exhaustivamente antes de volver a instalarlo.

5.5 Limpieza de la carcasa



¡PELIGRO!

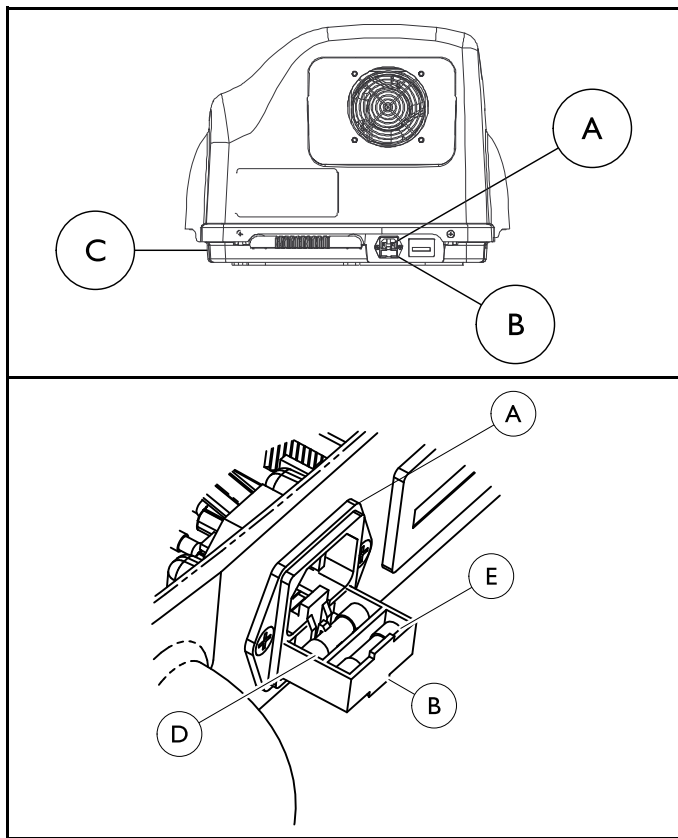
Riesgo de descarga eléctrica

Esta unidad contiene componentes en movimiento y de alta presión. Dentro de la cubierta no hay ninguna pieza que pueda reparar el usuario. Para evitar descargas eléctricas, lesiones o la muerte:


- NO retire la cubierta.
- Para cualquier operación de mantenimiento recurra al personal cualificado.

1. Limpie la carcasa con un producto de limpieza suave para uso doméstico y un paño o una esponja no abrasivos.


5.6 Sustitución del fusible



1. Desenchufe el cable de alimentación de la toma de corriente eléctrica.
2. Retire el cable de alimentación de la entrada de alimentación Ⓐ de la base del compresor Ⓒ.
3. Extraiga el portafusibles Ⓑ de la parte inferior de la entrada de alimentación.
4. Mediante un extractor de fusibles o un pequeño destornillador de punta plana, retire el fusible delantero del portafusibles y deséchelo.

 El portafusibles tiene espacio para dos fusibles. La ubicación delantera es para el fusible operativo. La unidad se suministra solo con el fusible delantero. La ubicación trasera es para un fusible de recambio opcional. Cuando sustituya el fusible delantero, asegúrese de que haya un fusible de recambio del mismo tipo y clasificación en el portafusibles.

5. Instale el fusible de recambio en la ranura delantera Ⓓ.

 Utilice un fusible de 5 mm x 20 mm, con retardo y baja capacidad de corte, 250 V, 2 Amp, IEC 60127 solamente (referencia de Invacare 1099820).

6. Vuelva a colocar el portafusibles en la entrada de alimentación.
7. Instale el cable de alimentación en la entrada de alimentación de la base del compresor.
8. Enchufe el cable de alimentación en una toma eléctrica.

9. Coloque el interruptor de alimentación en la posición de encendido (I) y compruebe si la unidad se enciende correctamente.
10. Si la unidad no se enciende, desconecte la alimentación, desenchufe el cable de alimentación y llame al proveedor o a Invacare para obtener asistencia.

6 Después del uso

6.1 Eliminación

Este producto ha sido fabricado por un proveedor respetuoso con el medio ambiente que cumple lo dispuesto por la directiva Residuos de Aparatos Eléctricos y Electrónicos (RAEE) 2012/19/UE.

Este producto puede contener sustancias que podrían ser perjudiciales para el medio ambiente si se procede a su eliminación en lugares (vertederos) que no son los idóneos según la legislación.

El símbolo con una "papelera con ruedas tachada" de este producto tiene por objeto fomentar su reciclaje en la medida de lo posible.

Siga la normativa local y los planes de reciclado para la eliminación del dispositivo o los componentes que se utilizan normalmente para su funcionamiento. Este dispositivo no genera desechos o residuos durante su funcionamiento. NO tire el dispositivo al flujo habitual de residuos. Todos los accesorios que no formen parte del dispositivo DEBEN manipularse de acuerdo con las indicaciones específicas del fabricante de dichos productos para su eliminación.

Proteja el medio ambiente y recicle este producto al final de su vida útil. Póngase en contacto con Invacare o con su proveedor de servicio para obtener información sobre el reciclado del producto.

7 Solución de problemas

7.1 Indicadores luminosos

Color del indicador luminoso	Estado del compresor	Efecto
Ninguno	El compresor está apagado.	El O ₂ fluye al usuario si el concentrador está encendido.
O ₂ POR DEBAJO DE LO NORMAL - AMARILLO	El compresor está encendido y preparándose para ponerse en funcionamiento (de 0 a 3 minutos tras el encendido).	No se ha iniciado el llenado de la botella. El O ₂ fluye al usuario si el concentrador está encendido.
	El O ₂ del concentrador es < 90 % (en cualquier momento después de los tres minutos de calentamiento).	La botella deja de llenarse, se reiniciará cuando el O ₂ sea > 90 %.
		El O ₂ fluye al usuario si el concentrador está encendido.
LLENANDO - VERDE	El compresor está encendido y la botella se está llenando. El O ₂ del concentrador es > 90 % (en cualquier momento después de los tres minutos de calentamiento).	La botella se está llenando.
		El O ₂ fluye al usuario si el concentrador está encendido.

Color del indicador luminoso	Estado del compresor	Efecto
LLENO - VERDE	<p>El compresor está encendido. La botella ha acabado de llenarse (carga completa) - retire la botella (la luz de LLENO se enciende en >10 min)</p> <p>o bien</p> <p>La botella no se ha acoplado correctamente - compruebe la conexión (la luz de LLENO se enciende en <10 min).</p>	<p>El llenado de la botella se detiene.</p> <p>No se puede llenar otra botella hasta que el compresor se apague y se vuelva a encender.</p> <p>El O₂ fluye al usuario si el concentrador está encendido.</p>
ATENCIÓN - ROJO (alarma audible)	<p>El compresor está encendido. La botella NO se está llenando. Causas:</p> <p>Se ha acoplado una botella llena al encender la unidad - sustitúyala por una vacía</p> <p>o bien</p> <p>Fallo interno - póngase en contacto con el proveedor.</p>	<p>El compresor no inicia el llenado o detiene el llenado.</p> <p>La unidad deberá apagarse y encenderse antes de poder realizar el llenado.</p> <p>El O₂ fluye al usuario si el concentrador está encendido.</p>


7.2 Solución de problemas

Problema	Solución
<p>No se enciende ningún indicador luminoso cuando se enciende el compresor.</p>	<ol style="list-style-type: none"> 1. Apague el compresor (O). 2. Compruebe que el cable de alimentación esté conectado correctamente al compresor y a la toma de corriente de la pared. 3. Encienda el compresor (I). 4. Limpie los filtros de aire. Consulte "Limpieza del filtro del compresor" en la sección "Mantenimiento" del manual. 5. Si al realizar los pasos 1-4 no se encienden los indicadores luminosos, póngase en contacto con su proveedor de asistencia sanitaria a domicilio o con Invacare para su reparación.
<p>Luz ROJA encendida</p>	<ol style="list-style-type: none"> 1. Observe el manómetro de la botella para ver si esta está llena: <ul style="list-style-type: none"> • Botella llena: retire la botella y apague la unidad. Realice la inspección de prellenado de la botella que se indica en la sección "Uso" del manual con una botella que no esté llena. • La botella no está llena: continúe con el paso 2. 2. Compruebe que la botella se haya conectado correctamente. <ul style="list-style-type: none"> • Apague el compresor (O). • Retire la botella y vuelva a instalarla. • Encienda el compresor (I). Si la botella no está llena y está conectada correctamente, es posible que se trate de un fallo interno del compresor. Póngase en contacto con su proveedor de asistencia sanitaria a domicilio o con Invacare.

Problema	Solución
<p>El compresor realiza un ciclo de encendido y apagado o bien</p> <p>La luz de O₂ por debajo de lo normal (amarilla) y de llenado (verde) se alternan o bien</p> <p>La luz de O₂ por debajo de lo normal (amarilla) se enciende y se apaga</p>	<ol style="list-style-type: none"> 1. Compruebe que el ajuste del flujo del concentrador sea igual o inferior al ajuste del flujo que se indica en <i>4.5 Encendido y apagado del compresor, página 113</i>. Si es necesario, ajuste la configuración del flujo (consulte el manual del usuario del concentrador). Espere al menos 20 minutos a que se encienda la luz VERDE. Si no se enciende, continúe con el paso 2. 2. El concentrador podría requerir una reparación; póngase en contacto con su proveedor de asistencia sanitaria a domicilio o con Invacare.
<p>La luz de O₂ por debajo de lo normal (AMARILLA) permanece encendida</p>	<ol style="list-style-type: none"> 1. Asegúrese de que el concentrador se haya calentado durante al menos 20 minutos. Si no se ha calentado durante 20 minutos, apague el compresor hasta que el concentrador se caliente. Si la luz AMARILLA todavía permanece encendida, continúe con el paso 2. 2. Inspeccione la conexión entre el compresor y el concentrador por si presentara daños o estuviera estrangulada. <ul style="list-style-type: none"> • Si estuviera dañada, sustitúyala. • Si estuviera estrangulada, enderece el tubo. Apague el compresor (O) durante 10 segundos como mínimo. Encienda el compresor (I). Si la luz AMARILLA todavía permanece encendida después de 10 minutos, continúe con el paso 3. 3. El concentrador podría requerir una reparación; póngase en contacto con su proveedor de asistencia sanitaria a domicilio o con Invacare.

Problema	Solución
<p>Los tiempos de llenado exceden los tiempos máximos recomendados O BIEN la luz de llenado VERDE permanece encendida.</p>	<ol style="list-style-type: none"> 1. Asegúrese de que el regulador de la botella esté en la posición de desconectado (O). 2. Compruebe los tiempos de llenado recomendados que se indican en el manual de la botella individual. 3. Compruebe que la botella se haya conectado correctamente. Apague el compresor (O). Retire la botella y vuelva a instalarla. Encienda el compresor (I). 4. Compruebe que la línea del compresor/concentrador esté bien conectada y no presente daños (por ejemplo, fugas o giros). 5. Compruebe que el ajuste del flujo del concentrador sea igual o inferior al ajuste del flujo que se indica en <i>4.5 Encendido y apagado del compresor, página 113</i> Si es necesario, ajuste la configuración del flujo (consulte el manual del usuario del concentrador). Si la luz de llenado VERDE no se apaga, puede que el compresor/concentrador requiera una reparación. Póngase en contacto con su proveedor de asistencia sanitaria a domicilio o con Invacare.
<p>Ruido excesivo cuando el compresor está encendido</p>	<ol style="list-style-type: none"> 1. Póngase en contacto con su proveedor de asistencia sanitaria a domicilio o con Invacare para obtener asistencia.

Problema	Solución
Siseo del regulador cuando el selector de flujo está apagado	<ol style="list-style-type: none"> 1. Apague el selector de flujo. 2. Si el siseo continua, llame al proveedor de asistencia sanitaria a domicilio o a Invacare.
El regulador está activado pero no se suministra O ₂	<ol style="list-style-type: none"> 1. Rellene la botella. 2. Compruebe que la cánula esté recta y no presente vueltas. Si estuviera dañada, sustitúyala. 3. Póngase en contacto con su proveedor de asistencia sanitaria a domicilio o con Invacare para obtener asistencia.

 Consulte el manual de la botella para conocer los tiempos de llenado adecuados.

Los tiempos de llenado son aproximados y podrían variar en función de las condiciones medioambientales.

8 Datos Técnicos

8.1 Descripción técnica

El sistema de oxígeno HomeFill II (IOH200AW) es un sistema de prescripción electromecánico para uso doméstico. Está destinado a suministrar oxígeno presurizado para rellenar las botellas de gas de Invacare de uso ambulatorio mientras el paciente recibe oxígeno terapéutico desde un concentrador de oxígeno. El sistema de gas IOH200AW se ha diseñado para utilizarse con concentradores de oxígeno que cumplan las especificaciones de entrada en cuanto a presión, flujo y pureza de oxígeno.

El sistema de oxígeno HomeFill II consiste en un compresor de gas IOH200AW, un tubo de conexión y las botellas de gas portátiles suministradas por Invacare con un regulador de flujo integral y accesorios de llenado interbloqueantes.

El compresor IOH200AW consiste en un compresor multifase, un depósito interno, un control eléctrico con un sensor integral de concentración de oxígeno, accesorios de llenado interbloqueantes, accesorios de entrada y motor de propulsión. El funcionamiento del compresor se controla por medio de una unidad eléctrica. El motor/compresor podrá llenar una botella únicamente cuando la concentración de oxígeno del flujo de gas de entrada sea superior al 90 % y la presión de la botella no sea ya superior a 1500 psi (10342 kPa). El funcionamiento de llenado del motor/compresor se completa cuando el gas de una botella alcanza la presión máxima de llenado de 2000 psi (13786 kPa).

El compresor IOH200AW puede llenar botellas portátiles para pacientes ambulatorios. Las botellas de gas portátiles suministradas por Invacare disponen de un accesorio de llenado interbloqueante que encaja únicamente con el compresor Invacare IOH200AW. La botella de gas contiene asimismo un regulador de flujo integral con ajustes de flujo seleccionables y fijos.

8.2 Tiempos de llenado de las botellas

TIEMPOS DE LLENADO DE LAS BOTELLAS	Caudal del concentrador al paciente:	
	Modelos de 5 l: hasta 2,5 l/min	
	Modelos de 9 l: hasta 5 l/min	
	HF2PCE9A	HF2PCE6
NORMAL	2 h 20 min	1 h 25 min
MÁXIMO	2 h 45 min	1 h 50 min



Con tiempos de llenado típicos, se presupone que se cumplen los requisitos de entrada.

Los tiempos de llenado pueden variar según las condiciones medioambientales.

8.3 Especificaciones

Listado de normativas

Listado de normativas:	EN/IEC 60601-1
	EN/IEC 60601-1-2

Especificaciones de entrada

Presión de entrada requerida:	5 – 25 psi (34,5 – 172,4 kPa)
Flujo de entrada requerido:	2 l/min
Pureza de oxígeno de entrada:	>90 % O ₂

Especificaciones generales

Clasificación eléctrica:	230 V~, 1,0 A, 50 Hz
Condiciones ambientales de funcionamiento:	De 5 °C a 40 °C (de 41 °F a 104 °F), entre el 15 % y el 60 % de humedad sin condensación
Presión atmosférica:	De 700 hPa a 1060 hPa
Almacenamiento y transporte:	De -23 °C a 70 °C (de -25 °F a 158 °F), entre el 15 % y el 95 % de humedad sin condensación.
Anchura:	51,44 cm (20 ¼ pulgadas)
Altura:	38,1 cm (15 pulgadas)

Profundidad:	40,64 cm (16 pulgadas)
Peso:	14,97 kg (33 libras)
Peso con embalaje:	17,69 kg (39 libras)

8.4 Cumplimiento electromagnético (EMC)

Guía y declaración del fabricante: emisiones electromagnéticas

El dispositivo se ha diseñado para ser utilizado en el entorno electromagnético que se especifica a continuación. El cliente o el usuario del dispositivo deberán comprobar que este se utilice en dicho entorno.


Prueba de emisiones	Cumplimiento	Entorno electromagnético: guía
Emisiones de RF CISPR 11	Grupo I	El dispositivo utiliza energía de RF solo para su funcionamiento interno. Por lo tanto, sus emisiones de RF son muy bajas y probablemente no causarán interferencias en equipos electrónicos cercanos. El dispositivo resulta adecuado para utilizarse en todos los entornos, incluidos los entornos domésticos y aquellos conectados directamente a la red pública de suministro de baja tensión que abastece a edificios utilizados para fines domésticos.
Emisiones de RF CISPR 11	Clase B	
Emisiones de armónicos IEC 61000-3-2	Clase A	
Fluctuaciones de tensión/emisiones de parpadeo IEC 61000-3-3	Cumple	

Guía y declaración del fabricante: inmunidad electromagnética

El dispositivo se ha diseñado para ser utilizado en el entorno electromagnético que se especifica a continuación. El cliente o el usuario del dispositivo deberán comprobar que este se utilice en dicho entorno.

Prueba de inmunidad	Nivel de prueba IEC 60601	Nivel de cumplimiento	Entorno electromagnético: guía
Descarga electrostática (ESD) IEC 61000-4-2	± 2, 4, 8 kV contacto ± 2, 4, 8, 15 kV aire	± 2, 4, 8 kV contacto ± 2, 4, 8, 15 kV aire	Los suelos deberán ser de madera, cemento o baldosas de cerámica. Si los suelos están cubiertos con material sintético, la humedad relativa deberá ser al menos del 30 %.
Transitorios y pulsos eléctricos rápidos IEC 61000-4-4	± 2 kV red de alimentación eléctrica, 100 kHz	± 2 kV red de alimentación eléctrica, 100 kHz	La calidad de la red de alimentación eléctrica deberá ser la habitual de un entorno comercial u hospitalario.
Sobretensión IEC 61000-4-5	± 1 kV de línea(s) a línea(s) ± 2 kV de línea(s) a tierra	± 1 kV de línea(s) a línea(s) ± 2 kV de línea(s) a tierra	La calidad de la red de alimentación eléctrica deberá ser la habitual de un entorno comercial u hospitalario.
Caídas de tensión IEC 61000-4-11	0 % U_T ; 1/2 ciclos a 0°, 45°, 90°, 135°, 180°, 225°, 270° y 315° y 0 % U_T ; 1 ciclo y 70 % U_T ; 25/30 ciclos Monofásico: a 0°	0 % U_T ; 1/2 ciclos a 0°, 45°, 90°, 135°, 180°, 225°, 270° y 315° y 0 % U_T ; 1 ciclo y 70 % U_T ; 25/30 ciclos Monofásico: a 0°	La calidad de la red de alimentación eléctrica deberá ser la habitual de un entorno comercial u hospitalario. Si el usuario del dispositivo requiere un funcionamiento continuo durante las interrupciones del suministro de energía, se recomienda alimentar el dispositivo mediante un sistema de alimentación ininterrumpida o una batería. U_T es el voltaje de corriente alterna de la red antes de la aplicación del nivel de prueba.

<p>Interrupciones de tensión IEC 61000-4-11</p>	<p>0 % U_T; 250/300 ciclos</p>	<p>0 % U_T; 250/300 ciclos</p>	<p>La calidad de la red de alimentación eléctrica deberá ser la habitual de un entorno comercial u hospitalario. Si el usuario del dispositivo requiere un funcionamiento continuo durante las interrupciones del suministro de energía, se recomienda alimentar el dispositivo mediante un sistema de alimentación ininterrumpida o una batería.</p> <p>U_T es el voltaje de corriente alterna de la red antes de la aplicación del nivel de prueba.</p>
<p>Campo magnético de la frecuencia de alimentación (50/60 Hz) IEC 61000-4-8</p>	<p>30 A/m, 50/60 Hz</p>	<p>30 A/m, 50/60 Hz</p>	<p>Los campos magnéticos de la frecuencia de alimentación deberán estar en los niveles característicos de un entorno hospitalario o comercial.</p>

<p>RF conducida IEC 61000-4-6</p> <p>RF radiada IEC 61000-4-3</p>	<p>3 Vrms, 6 Vrms</p> <p>10 V/m</p>	<p>3 Vrms, 6 Vrms</p> <p>10 V/m</p>	<p>Los equipos de comunicaciones por radiofrecuencia portátiles y móviles no deberán utilizarse a una distancia de las piezas del dispositivo (incluidos los cables) menor que la distancia de separación recomendada, calculada a partir de la ecuación aplicable a la frecuencia del transmisor.</p> <p>Distancia de separación recomendada:</p> <table data-bbox="938 336 1452 498"> <tr> <td>$d = 1,2\sqrt{P}$</td> <td>150 kHz a 80 MHz</td> </tr> <tr> <td>$d = 0,35\sqrt{P}$</td> <td>80 MHz a 800 MHz</td> </tr> <tr> <td>$d = 0,7\sqrt{P}$</td> <td>800 MHz a 2,5 GHz</td> </tr> </table> <p>donde <i>P</i> es la potencia de salida máxima del transmisor en vatios (W) según el fabricante del transmisor y <i>d</i> es la distancia de separación recomendada en metros (m).</p> <p>La intensidad de campo de los transmisores de RF fijos, según lo determinado por un estudio electromagnético^a, deberá ser inferior al nivel de cumplimiento en cada rango de frecuencia^b.</p> <p>Podrían producirse interferencias cerca de los equipos marcados con el símbolo siguiente:</p> 	$d = 1,2\sqrt{P}$	150 kHz a 80 MHz	$d = 0,35\sqrt{P}$	80 MHz a 800 MHz	$d = 0,7\sqrt{P}$	800 MHz a 2,5 GHz
$d = 1,2\sqrt{P}$	150 kHz a 80 MHz								
$d = 0,35\sqrt{P}$	80 MHz a 800 MHz								
$d = 0,7\sqrt{P}$	800 MHz a 2,5 GHz								

^a La intensidad de campo de los transmisores fijos, como bases de radioteléfonos (móviles o inalámbricos) y radios móviles terrestres, radio de radioaficionados, emisiones de radio AM y FM y de televisión, no se pueden predecir teóricamente con

exactitud. Deberá realizarse un estudio electromagnético para evaluar el entorno electromagnético debido a los transmisores de RF fijos. Si la intensidad de campo del lugar en el que se utiliza este dispositivo supera el nivel de cumplimiento de RF aplicable anterior, se deberá observar el dispositivo para comprobar que funcione correctamente. Si se observa un funcionamiento anormal, será preciso tomar las medidas adicionales que sean necesarias, tales como la reorientación o reubicación del dispositivo.

^b En el rango de frecuencias de 150 kHz a 80 MHz, las intensidades de campo deberán ser inferiores a [V1] V/m.

A 80 MHz y 800 MHz, se aplica el rango de frecuencias más alto.

Distancias de separación recomendadas entre los equipos de comunicaciones de RF móviles y portátiles y el dispositivo

El dispositivo se ha diseñado para ser utilizado en un entorno electromagnético en el que las perturbaciones de RF radiada estén controladas. El cliente o usuario del dispositivo puede ayudar a prevenir las interferencias electromagnéticas manteniendo una distancia mínima entre los equipos de comunicaciones de RF portátiles y móviles (transmisores) y el dispositivo como se recomienda más adelante, según la potencia de salida máxima del equipo de comunicaciones.

Salida máxima nominal del transmisor [W]	Distancia de separación según la frecuencia del transmisor [m]		
	150 kHz a 80 MHz d = 1,2VP	80 MHz a 800 MHz d = 0,35VP	800 MHz a 2,5 GHz d = 0,7VP
0,01	0,12	0,04	0,07
0,1	0,37	0,11	0,22
1	1,17	0,35	0,70
10	3,69	1,11	2,21
100	11,67	3,50	7,00

Para los transmisores con una potencia de salida máxima no indicada por encima de la separación recomendada, la distancia d en metros (m) se puede calcular utilizando la ecuación aplicable a la frecuencia del transmisor, donde P es la potencia de salida máxima del transmisor en vatios (W) según el fabricante.

A 80 MHz y 800 MHz, se aplica la distancia de separación para el rango de frecuencias más alto.



Es posible que estas directrices no se apliquen en todas las situaciones. La propagación electromagnética se ve afectada por la absorción y la reflexión en estructuras, objetos y personas.

Sommaire

Ce manuel DOIT être remis à l'utilisateur du produit. AVANT d'utiliser ce produit, vous DEVEZ lire ce manuel et le conserver pour pouvoir vous y reporter ultérieurement.

1 Généralités	136
1.1 Symboles	136
1.2 Utilisation prévue	138
1.3 Indications d'utilisation	139
1.4 Pièces de rechange	139
1.5 Contre-indications	139
1.6 Garantie	139
2 Sécurité	140
2.1 Consignes générales	140
2.2 Emplacements des étiquettes	144
2.3 Informations fournisseur	146
2.4 Produits à double isolation	146
2.5 Informations relatives à la compatibilité électromagnétique (CEM)	146
3 Réglages (Mise en service)	148
3.1 Déballage	148
3.2 Liste des points à vérifier avant la mise en service du compresseur	148
3.3 Choix d'un emplacement	149
3.4 Transport du compresseur	150
3.5 Installation du cordon d'alimentation	151
3.6 Connexion du compresseur au concentrateur	151
3.6.1 Connexion du compresseur à des concentrateurs Invacare	151
3.6.2 Connexion du compresseur à des concentrateurs de marque autre qu'Invacare	152
4 Utilisation	153
4.1 Liste de contrôle du fonctionnement du compresseur	153

4.2 Inspection du préremplissage de la bouteille	154
4.3 Connexion de la bouteille au compresseur	156
4.4 Déconnexion de la bouteille du compresseur	158
4.5 Mise sous et hors tension du compresseur	159
5 Maintenance	162
5.1 Informations de maintenance	162
5.2 Usure normale	162
5.3 Durée de vie	162
5.4 Nettoyage du filtre du compresseur	162
5.5 Nettoyage du boîtier	163
5.6 Remplacement du fusible	164
6 Après l'utilisation	166
6.1 Mise au rebut	166
7 Dépannage	167
7.1 Témoins lumineux	167
7.2 Dépannage	169
8 Caractéristiques Techniques	173
8.1 Description technique	173
8.2 Durées de remplissage de la bouteille	173
8.3 Caractéristiques techniques	174
8.4 Compatibilité électromagnétique (CEM)	175

1 Généralités

1.1 Symboles

Symboles figurant dans le manuel

Les symboles d'avertissement utilisés dans le présent manuel s'appliquent aux risques ou aux pratiques dangereuses qui pourraient provoquer des blessures ou des dommages matériels. Reportez-vous aux informations ci-dessous pour la définition des symboles d'avertissement.



DANGER !

– Danger indique une situation dangereuse imminente qui, si elle n'est pas évitée, provoquera des blessures graves voire mortelles.



AVERTISSEMENT !

– Avertissement indique une situation potentiellement dangereuse qui, si elle n'est pas évitée, est susceptible de provoquer des blessures graves voire mortelles.



ATTENTION !

– Attention indique une situation potentiellement dangereuse qui, si elle n'est pas évitée, peut résulter dans des dommages matériels et/ou des blessures légères.



IMPORTANT

– Indique une situation dangereuse qui, si elle n'est pas évitée, est susceptible de provoquer des dommages matériels.



Donne des conseils, recommandations et informations utiles pour une utilisation efficace et sans souci.

Symboles apposés sur le produit

Les symboles suivants se trouvent sur le compresseur, son emballage ou la bouteille à oxygène.



Consultez le manuel (compresseur)



La couleur en arrière plan du symbole est le bleu sur les autocollants d'identification.



Consultez le manuel (bouteille)



Risques électriques



Courant alternatif



Équipement de type BF — Pièces appliquées



Interrupteur « Marche »



Interrupteur « Arrêt »



NE fumez PAS



Flamme nue interdite



Classe II, double isolation.
Reportez-vous au paragraphe Produits à double isolation de la section Sécurité du manuel.



Gardez au sec lors du transport ou du stockage et pendant l'utilisation

IP21

Protection contre les corps étrangers solides d'au moins 12,5 mm de diamètre.

Protection contre les chutes d'eau verticales.



Fusible



Agent oxydant



La couleur en arrière plan du symbole est le jaune sur les autocollants d'identification.



Gaz ininflammable de classe 2 (oxygène)



La couleur en arrière plan du symbole est le vert sur les autocollants d'identification.



Température de transport et de stockage



Humidité de transport et de stockage



Recyclez ce produit. Reportez-vous au paragraphe Mise au rebut des équipements et des accessoires de la section Après utilisation du manuel.



Conforme aux directives Européennes applicables, y compris la Directive 93/42/CEE relative aux dispositifs médicaux (DM)



Représentant autorisé dans la communauté européenne



Fabricant

1.2 Utilisation prévue

Le compresseur HomeFill Invacare a été conçu pour être utilisé uniquement avec les concentrateurs d'oxygène qui répondent aux caractéristiques d'entrée indiquées dans la section 8.3 *Caractéristiques techniques*, page 174

N'utilisez PAS le compresseur HomeFill d'Invacare avec tout dispositif autre qu'un concentrateur d'oxygène qui répond aux exigences d'entrée du compresseur.

Le compresseur Invacare HomeFill est conçu pour être utilisé en tant qu'accessoire d'un concentrateur d'oxygène pour permettre au patient de remplir des bouteilles d'oxygène portables à usage personnel.

Ce produit est destiné à être utilisé par un patient unique, à domicile et à l'intérieur et ne doit en aucun cas s'utiliser pour le remplissage de bouteilles en vrac.

Aucune connaissance ni aucune formation spécifique n'est nécessaire, autre que les informations fournies dans ce manuel, pour faire fonctionner le produit.

Aucune oxygénothérapie n'est possible durant le remplissage.

Ce produit est destiné à être utilisé par un adulte ou sous la surveillance de ce dernier uniquement après lecture et compréhension des instructions et des avertissements contenus dans le présent manuel d'utilisation.



AVERTISSEMENT !

- L'utilisation de cet appareil est limitée au remplissage des bouteilles à oxygène personnelles d'un patient spécifique. Les bouteilles désignées **DOIVENT UNIQUEMENT** être utilisées par le patient nécessitant un apport en oxygène et ne sont pas destinées à être distribuées à tout autre individu pour quelque raison que ce soit.
- Aucune autre utilisation de cet appareil n'est indiquée.

1.3 Indications d'utilisation

Indiqué pour permettre au patient de remplir des bouteilles d'oxygène portables à usage personnel.

1.4 Pièces de rechange

Les pièces de rechange suivantes peuvent être obtenues auprès d'Invacare :

- Tuyau d'approvisionnement, référence 1105177
- Cordon d'alimentation, référence 1085605



Ces pièces sont des modèles de base. Veuillez contacter Invacare ou votre fournisseur pour connaître les références pour votre pays.

1.5 Contre-indications

Il n'existe aucune contre-indication connue.

1.6 Garantie

Les modalités et conditions de la garantie font partie des modalités et conditions générales spécifiques aux différents pays de vente du produit.

2 Sécurité

2.1 Consignes générales



DANGER !

Risque de dommage matériel ou de blessure grave, voire mortelle

Une utilisation inadéquate de ce produit présente un risque de dommage matériel ou de blessure grave, voire mortelle. Cette section contient des informations importantes pour une utilisation et un fonctionnement en toute sécurité du produit.

- N'utilisez PAS ce produit ou tout autre équipement disponible en option sans avoir lu et compris entièrement ces instructions et toute autre documentation supplémentaire, telle que les manuels d'utilisation, les manuels de maintenance ou fiches d'instructions fournis avec ce produit ou l'équipement en option.
- Si vous ne comprenez pas les avertissements, mises en garde ou instructions, contactez un professionnel de santé, fournisseur ou technicien avant d'essayer d'utiliser cet équipement.



DANGER !

Risque de dommage matériel ou de blessure grave, voire mortelle

Une utilisation inadéquate de ce produit présente un risque de dommage matériel ou de blessure grave, voire mortelle. Cette section contient des informations importantes pour une utilisation et un fonctionnement en toute sécurité du produit.

- Vérifiez l'absence de dommages dans le carton et sur TOUS les composants. En cas de dommage ou si le produit ne fonctionne pas correctement, contactez un technicien ou Invacare pour réparation.
- Pour garantir la sécurité de l'installation, du montage et du fonctionnement du compresseur HomeFill, respectez les instructions suivantes.
- LES INFORMATIONS FIGURANT DANS LE PRÉSENT DOCUMENT SONT SUJETTES À MODIFICATION SANS PRÉAVIS.

**DANGER !****Risque de dommage matériel ou de blessure grave, voire mortelle liés à un incendie**

Les textiles, huiles ou substances à base de pétrole, graisse, substances graisseuses et autres combustibles s'enflamment facilement et brûlent rapidement dans un air enrichi en oxygène et au contact avec de l'oxygène sous pression. Pour éviter tout incendie, dommage, blessure ou décès :

- Ne FUMEZ PAS lors de l'utilisation de cet appareil.
- N'utilisez PAS l'appareil à proximité d'une FLAMME NUE ou de SOURCES D'INFLAMMATION.
- N'utilisez PAS de lubrifiants sur le compresseur sauf spécification contraire de la part d'Invacare.
- Des panneaux INTERDICTION DE FUMER doivent être affichés de façon visible.

**DANGER !****Risque de dommage matériel ou de blessure grave, voire mortelle liés à un incendie**

Les textiles, huiles ou substances à base de pétrole, graisse, substances graisseuses et autres combustibles s'enflamment facilement et brûlent rapidement dans un air enrichi en oxygène et au contact avec de l'oxygène sous pression. Pour éviter tout incendie, dommage, blessure ou décès :

- Évitez de produire des étincelles à proximité d'un équipement d'oxygène. Cela inclut les étincelles d'électricité statique créées par friction.
- Conservez les allumettes, cigarettes incandescentes ou toute autre source inflammable en dehors de la pièce dans laquelle ce compresseur est installé et à distance de la source d'administration de l'oxygène.
- Ne placez jamais les tubes à oxygène, le cordon et le compresseur sous des couvertures, dessus de lit, coussins ou vêtements et tenez-les à l'écart des surfaces chauffées ou chaudes, comprenant les radiateurs, les fours et appareils électriques similaires.



DANGER !

Risque de dommage matériel ou de blessure grave, voire mortelle liés à un incendie

Les textiles, huiles ou substances à base de pétrole, graisse, substances graisseuses et autres combustibles s'enflamment facilement et brûlent rapidement dans un air enrichi en oxygène et au contact avec de l'oxygène sous pression. Pour éviter tout incendie, dommage, blessure ou décès :

- NE touchez PAS les raccords de la bouteille ou le coupleur du compresseur avec des mains ou autres outils gras. Ces substances peuvent s'enflammer en présence d'oxygène et provoquer des blessures. Évitez autant que possible de toucher les raccords de la bouteille. Exemples de produits à éviter : crèmes ou lotions pour les mains, huiles de cuisson, huiles de bronzage ou écrans solaires et tout autre produit gras similaire. Si vous utilisez ce type de produits, Invacare vous conseille de vous laver les mains avant d'utiliser le système HomeFill. Si le raccord de la bouteille entre en contact avec de telles substances, nettoyez-le à l'aide d'un chiffon humide avant de le connecter au compresseur.



DANGER !

Risque de dommage matériel ou de blessure grave, voire mortelle liés à un incendie

Les textiles, huiles ou substances à base de pétrole, graisse, substances graisseuses et autres combustibles s'enflamment facilement et brûlent rapidement dans un air enrichi en oxygène et au contact avec de l'oxygène sous pression. Pour éviter tout incendie, dommage, blessure ou décès :

- Ne huilez ni lubrifiez JAMAIS le coupleur du compresseur ou les raccords de la bouteille. N'utilisez JAMAIS d'huile pénétrante ou lubrifiante comme WD-40® ou 3-in-1 Oil®. En cas de difficultés avec le branchement, vérifiez que les raccords de la bouteille sont correctement enclenchés vers le bas dans le coupleur du compresseur. Si le problème persiste, contactez votre fournisseur pour obtenir de l'aide.



DANGER !

Risque de choc électrique

Cet appareil comporte des composants mobiles et à haute pression. Il n'existe aucun composant interne pouvant être réparé par l'utilisateur sous le capot. Pour éviter toute décharge électrique, toute blessure ou tout décès :

- NE retirez PAS le capot.
- L'entretien doit être confié à du personnel qualifié.

**AVERTISSEMENT !****Risque de blessure grave ou de dommage matériel**

L'utilisation d'accessoires d'une autre marque qu'Invacare peut provoquer des blessures graves ou des dommages matériels.

- Les produits Invacare sont spécialement conçus et fabriqués pour être utilisés en combinaison avec les accessoires Invacare. Les accessoires conçus par d'autres fabricants n'ont pas été testés par Invacare et leur utilisation avec les produits Invacare est déconseillée.
- Aucune modification de cet appareil n'est autorisée.
- N'utilisez PAS d'accessoires d'une autre marque qu'Invacare.
- Pour obtenir des accessoires Invacare, contactez Invacare par téléphone ou sur le site www.invacare.com.

**AVERTISSEMENT !****Risque de blessure ou de dommage matériel**

Le blocage de la circulation d'air à l'entrée et à la sortie du compresseur peut entraîner des blessures ou des dommages matériels.

- Veillez à ne JAMAIS bloquer les bouches d'air du produit ou à le placer sur une surface moelleuse comme un lit ou un canapé au risque de boucher les arrivées d'air.
- Veillez à ne pas obstruer les bouches d'air avec du tissu, des cheveux, etc.

**AVERTISSEMENT !****Risque de blessure ou de dommage matériel**

Un produit endommagé présente un risque de dysfonctionnement, de blessures ou de dégâts matériels. Pour éviter tout risque de blessure ou de dommage :

- NE mouillez PAS le compresseur.
- Si le cordon ou la prise du compresseur est endommagé(e), si le compresseur ne fonctionne pas correctement, s'il est tombé ou endommagé, s'il a été immergé dans l'eau, demandez à un technicien qualifié de l'inspecter et de le réparer.

**AVERTISSEMENT !**

– N'utilisez PAS le compresseur à l'extérieur. Réservé à l'usage en intérieur.

- Si la bouteille d'oxygène fuit, n'essayez PAS de l'utiliser. Tournez le bouton de réglage du débit du régulateur sur « Off ». Si la fuite persiste, stockez la bouteille à l'extérieur et signalez-le à votre prestataire de soins à domicile ou à un technicien de maintenance.
- Les enfants ne doivent JAMAIS être laissés sans surveillance à proximité de l'appareil HomeFill II. Lorsque le HomeFill est utilisé sur une table ou un support élevé, un enfant risque de tirer ou de pousser une telle table et causer la chute de l'appareil. Le non-respect de cet avertissement peut provoquer des blessures ou des dommages matériels.



AVERTISSEMENT !

Risque de blessure ou de dommage matériel

Le HomeFill est équipé d'une soupape de sécurité haute pression pour garantir la sécurité de l'utilisateur. Si ce dispositif de sécurité se déclenche, un signal sonore extrêmement fort est émis. Pour éviter tout risque de blessure ou de dommage :

- Si ce signal se déclenche, éteignez l'appareil et contactez votre prestataire de soins à domicile ou un technicien de maintenance.



AVERTISSEMENT !

Risque de dommage matériel ou de blessure grave, voire mortelle

Le cordon d'alimentation et le tuyau d'interconnexion peuvent causer des blessures dues à des basculements, à des chutes et à une strangulation s'ils ne sont pas positionnés et bloqués correctement. Vous risquez aussi d'endommager le produit.

- Placez et entreposez correctement les cordons électriques et/ou la tubulure pour éviter tout risque de chute et de strangulation.
- Évitez de placer les cordons d'alimentation en travers de zones à forte circulation.
- Avant de déplacer ou de repositionner le compresseur ou le concentrateur, débranchez TOUJOURS les cordons d'alimentation secteur et le tuyau d'interconnexion entre le compresseur et le concentrateur.

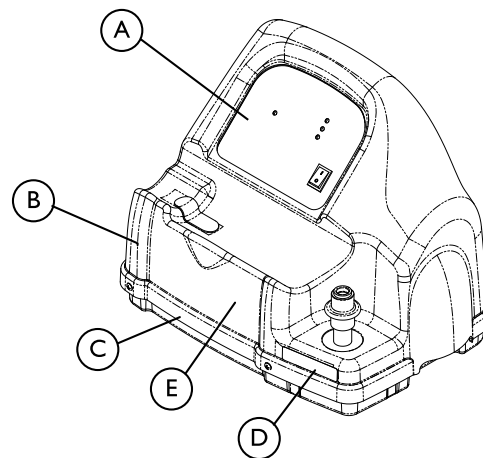


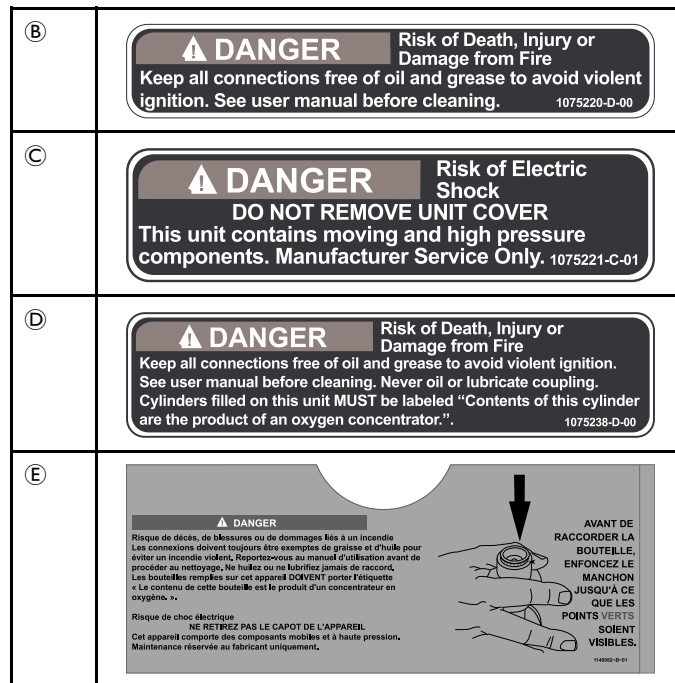
ATTENTION !

La loi statutaire n'autorise la vente de cet appareil que sur ordonnance ou par un praticien agréé par la loi de l'État dans lequel il ou elle travaille.


- SEUL un praticien agréé par la loi peut autoriser l'achat ou l'utilisation de cet appareil.

2.2 Emplacements des étiquettes





2.3 Informations fournisseur

-  Invacare recommande de laisser une bouteille d'oxygène pleine au patient, après avoir installé le compresseur HomeFill II.

Avant de remettre un compresseur HomeFill II à un utilisateur, vous devez **IMPÉRATIVEMENT** contrôler les points suivants :

- Assurez-vous que la date du test de pression qui figure sur la bouteille n'a pas expiré.
- Reportez-vous à la section relative à la compatibilité électromagnétique pour plus d'informations sur le fonctionnement et sur les éventuelles interférences électromagnétiques. Consultez les informations relatives à la compatibilité électromagnétique (CEM).
- Expliquez à l'utilisateur comment utiliser le concentrateur en toute sécurité et passez en revue l'ensemble des avertissements.
- Expliquez à l'utilisateur comment utiliser le compresseur HomeFill II en toute sécurité et passez en revue l'ensemble des avertissements.
- Laissez une bouteille d'oxygène pleine à l'utilisateur.
- Remettez à l'utilisateur un exemplaire de l'ensemble des avertissements et instructions de remplissage.

2.4 Produits à double isolation



ATTENTION !

- NE débranchez PAS le cordon d'alimentation en tirant dessus. Pour le débrancher, saisissez la prise et non pas le cordon, au risque sinon de l'endommager.

Dans un produit à double isolation, deux systèmes d'isolation sont fournis au lieu d'une mise à la terre. Sur un produit à double isolation, aucune mise à la terre n'est nécessaire, ni ne doit être ajoutée. Un produit à double isolation porte la mention « DOUBLE ISOLATION » ou « À DOUBLE ISOLATION » ou le symbole :



2.5 Informations relatives à la compatibilité électromagnétique (CEM)



AVERTISSEMENT !

Risque de blessure ou de dommage matériel

Pour réduire le risque de blessure ou de dommage matériel lié à des interférences avec des équipements sans fil :

- Maintenez le compresseur à au moins 3 m (9,8 ft) des appareils de communication sans fil tels que les appareils de réseau domestiques sans fil, les téléphones portables, les téléphones sans fil et leurs stations de recharge, les talkies-walkies, etc.



AVERTISSEMENT !

- L'utilisation d'accessoires et de câbles autres que ceux spécifiés ou fournis par Invacare peut entraîner une augmentation des émissions électromagnétiques ou une diminution de l'immunité électromagnétique de cet équipement et un fonctionnement incorrect.

L'équipement médical électrique doit être installé et utilisé conformément aux informations relatives aux interférences magnétiques présentes dans ce manuel.

Cet équipement a été testé et est certifié conforme aux limites CEM spécifiées dans la norme IEC/EN 60601-1-2 pour les équipements de type BF. Ces limites sont conçues pour assurer une protection raisonnable contre les interférences électromagnétiques dans un environnement médical domicile type. L'utilisation de cet équipement dans un environnement avec des niveaux d'interférences plus élevés est susceptible d'affecter la précision de la concentration en oxygène dans la bouteille. Cet équipement n'est pas conçu pour une utilisation dans un environnement médical professionnel.

Les appareils de communication radioélectriques portables et mobiles peuvent interférer avec le fonctionnement de cet appareil. Le compresseur peut être positionné au-dessus d'un concentrateur d'oxygène compatible Invacare HomeFill lors de l'installation. Le fonctionnement du compresseur doit être contrôlé afin de vérifier que le remplissage de la bouteille est normal dans toutes les situations.

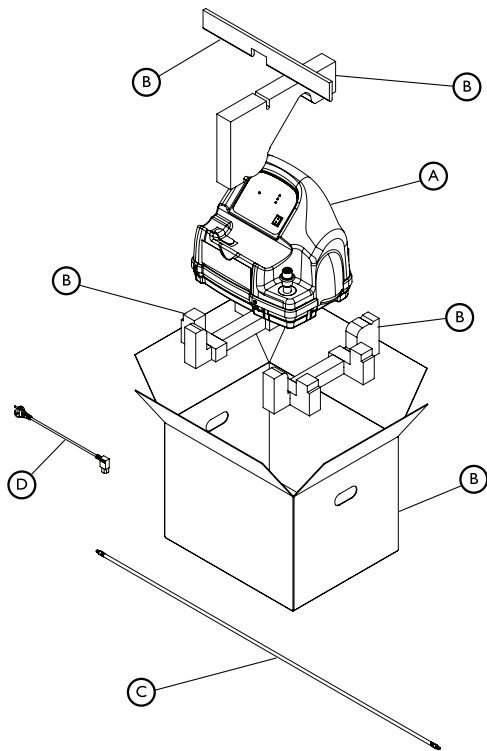
D'autres appareils peuvent recevoir des interférences même des plus bas niveaux des émissions électromagnétiques autorisées par la norme ci-dessus. Pour déterminer si les émissions du compresseur sont l'origine d'une interférence, mettez le compresseur hors tension. Si l'interférence avec le fonctionnement des autres appareils disparaît, cela signifie que le compresseur provoque l'interférence. Dans ces cas rares, l'interférence peut être réduite ou corrigée de l'une des façons suivantes :

- Repositionnez le dispositif, changez-le de place ou augmentez la distance de séparation entre les appareils.
- Branchez l'un des appareils connectés sur un autre circuit électrique.

Pour plus d'informations, reportez-vous à la section 8.4 *Compatibilité électromagnétique (CEM)*, page 175

3 Réglages (Mise en service)

3.1 Déballage



DESCRIPTION	
Compresseur	A
Emballage	B
Tuyau d'approvisionnement	C
Cordon d'alimentation	D
Manuel d'utilisation (non représenté)	NC

1. Vérifiez que le carton et son contenu n'ont pas été endommagés. Si des dommages sont visibles, informez-en le livreur, ou votre fournisseur local.
2. Retirez toutes les garnitures du carton.
3. Retirez avec soin tous les composants du carton.

i À moins qu'il ne doive être utilisé IMMÉDIATEMENT, laissez le compresseur dans son emballage jusqu'à ce que son utilisation soit requise.

3.2 Liste des points à vérifier avant la mise en service du compresseur

i Fournisseurs UNIQUEMENT — Reportez-vous aux informations sur les revendeurs dans la section Sécurité de ce manuel avant d'exécuter cette procédure.

i Utilisateurs UNIQUEMENT — Contactez votre fournisseur ou Invacare si vous avez besoin d'aide pour installer l'appareil et signalez les fonctionnements ou événements inattendus.

Avant la première utilisation du compresseur HomeFill II, procédez comme suit :

- Choisissez un emplacement pour le compresseur.
- Transportez le compresseur jusqu'à l'emplacement choisi.
- Branchez le cordon d'alimentation au compresseur.
- Connectez le compresseur au concentrateur.

3.3 Choix d'un emplacement



DANGER !

Risque de dommage matériel ou de blessure grave, voire mortelle liés à un incendie

Les textiles, huiles ou substances à base de pétrole, graisse, substances graisseuses et autres combustibles s'enflamment facilement et brûlent rapidement dans un air enrichi en oxygène et au contact avec de l'oxygène sous pression. Pour éviter tout incendie, dommage, blessure ou décès :

- Ne FUMEZ PAS lors de l'utilisation de cet appareil.
- N'utilisez PAS l'appareil à proximité d'une FLAMME NUE ou de SOURCES D'INFLAMMATION.
- N'utilisez PAS de lubrifiants sur le compresseur sauf spécification contraire de la part d'Invacare.
- Des panneaux INTERDICTION DE FUMER doivent être affichés de façon visible.



DANGER !

Risque de dommage matériel ou de blessure grave, voire mortelle liés à un incendie

Les textiles, huiles ou substances à base de pétrole, graisse, substances graisseuses et autres combustibles s'enflamment facilement et brûlent rapidement dans un air enrichi en oxygène et au contact avec de l'oxygène sous pression. Pour éviter tout incendie, dommage, blessure ou décès :


- Évitez de produire des étincelles à proximité d'un équipement d'oxygène. Cela inclut les étincelles d'électricité statique créées par friction.
- Conservez les allumettes, cigarettes incandescentes ou toute autre source inflammable en dehors de la pièce dans laquelle ce compresseur est installé et à distance de la source d'administration de l'oxygène.
- Ne placez jamais les tubes à oxygène, le cordon et le compresseur sous des couvertures, dessus de lit, coussins ou vêtements et tenez-les à l'écart des surfaces chauffées ou chaudes, comprenant les radiateurs, les fours et appareils électriques similaires.

Le compresseur doit être positionné à au moins trois pouces (7,6 centimètres) des murs, rideaux ou meubles afin d'assurer une circulation d'air suffisante.

Évitez de placer le compresseur à proximité d'un chauffage, d'un radiateur ou d'une bouche d'air chaud.

NE l'utilisez PAS dans un placard.

Le compresseur doit être installé sur une surface dure plate et stable, comme une table ou le rack de rangement.

 Le rack de rangement HomeFill est vendu séparément et s'utilise pour positionner le compresseur HomeFill au-dessus d'un concentrateur d'oxygène Perfecto₂ ou Platinum®. Consultez la fiche d'instructions du rack de rangement HomeFill (références 1148363 et 1134824) pour plus d'informations.

3.4 Transport du compresseur



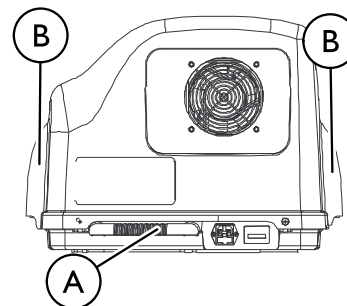
AVERTISSEMENT !

– Ne transportez JAMAIS un compresseur muni ou raccordé à une bouteille, sous peine de dommages corporels ou matériels.



ATTENTION !

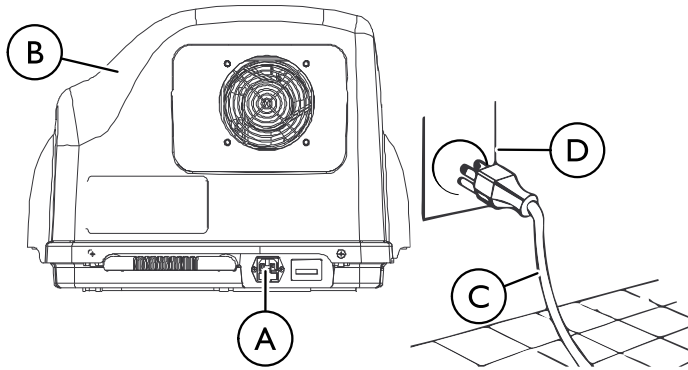
– Lors du transport du compresseur, veillez à ne pas cogner ni le compresseur ni les connecteurs contre un obstacle. Vous risqueriez d'endommager le compresseur.




1. Il existe deux méthodes pour transporter le compresseur en toute sécurité :

- Une main - Saisissez la poignée **A** au bas de la face arrière du compresseur.
- Deux mains - Saisissez la poignée **B** sur les côtés du compresseur.

3.5 Installation du cordon d'alimentation

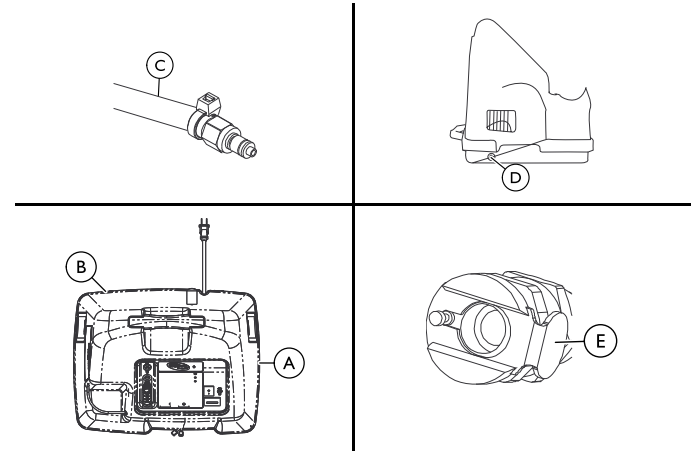


1. Sélectionnez un emplacement adéquat. Reportez-vous au paragraphe Choix d'un emplacement dans cette section du manuel.
2. Vérifiez que l'interrupteur du compresseur est positionné sur Off (O).
3. Branchez le cordon d'alimentation dans le connecteur électrique A à l'arrière du compresseur B.
4. Branchez l'autre extrémité du cordon d'alimentation C dans la prise murale D.
5. Laissez un espace minimum de 7,6 cm (3") aux extrémités du cordon d'alimentation pour faciliter la déconnexion.


 La prise d'alimentation fait office de dispositif de déconnexion général pour mettre l'appareil hors tension lorsque le cordon d'alimentation est débranché.

3.6 Connexion du compresseur au concentrateur

3.6.1 Connexion du compresseur à des concentrateurs Invacare



1. Introduisez l'une des extrémités du tuyau d'interconnexion C dans le raccord de sortie B situé à l'arrière du concentrateur A.
2. Introduisez l'extrémité opposée du tuyau d'interconnexion dans le raccord d'entrée D situé sur le côté du compresseur.

 Les pattes métalliques E du raccord de sortie du concentrateur et du raccord d'entrée du compresseur F produisent un clic audible lorsque l'extrémité du tuyau d'interconnexion est correctement installée.

3.6.2 Connexion du compresseur à des concentrateurs de marque autre qu'Invacare

1. Reportez-vous aux caractéristiques d'oxygénation de sortie indiquées dans le manuel d'utilisation du concentrateur d'oxygène pour vérifier leur compatibilité avec les caractéristiques d'oxygénation d'entrée du compresseur HomeFill répertoriées dans la section 8.3 *Caractéristiques techniques, page 174*
2. Reportez-vous au manuel d'utilisation du concentrateur d'oxygène pour plus d'informations sur le raccordement.

4 Utilisation

4.1 Liste de contrôle du fonctionnement du compresseur

À chaque fois que vous utilisez le compresseur HomeFill pour remplir une bouteille, vous devez contrôler les points suivants :

- Vérifiez que le concentrateur est allumé depuis au moins 30 minutes. Reportez-vous au manuel d'utilisation du concentrateur.
- Procédez à l'inspection du préremplissage de la bouteille.
- Connectez la bouteille au compresseur.
- Mettez l'interrupteur du compresseur en position de marche (I).
- Examinez les témoins lumineux du panneau de commande.
- Déconnectez et sortez la bouteille pleine.
- Mettez l'interrupteur du compresseur en position d'arrêt (O).
- Si vous devez remplir une autre bouteille, vérifiez de nouveau les points de cette liste de contrôle.

Date du test hydrostatique

Les bouteilles en aluminium DOIVENT être testées tous les dix ans.



AVERTISSEMENT !

Risque de blessure

Pour réduire le risque de blessure :

- NE remplissez PAS de bouteilles qui n'ont pas été testées au cours des dix dernières années. Le non-respect de cette consigne risque de provoquer des blessures graves. Contactez votre fournisseur de matériel pour un remplacement.

Inspection extérieure

1. Examinez l'extérieur de la bouteille et vérifiez qu'elle est exempte des défauts suivants. Dans le cas contraire, remplacez-la.
 - Bosses ou chocs
 - Traces de soudure à l'arc
 - Huile ou graisse
 - Tout autre signe de détérioration susceptible de rendre l'utilisation de la bouteille inacceptable ou dangereuse.
2. Vérifiez que la bouteille ne présente pas de dommages thermiques ou causés par un incendie. Les dommages incluent les traces de carbonisation et les cloques visibles sur la peinture ou sur tout autre revêtement de protection ou toute trace évidente de dommage thermique. Remplacez la bouteille en cas de dommages thermiques ou causés par un incendie.
3. Examinez le bloc bouteille/régulateur et vérifiez qu'il est exempt des défauts suivants. Dans le cas contraire, remplacez-le.
 - Débris, huile ou graisse
 - Traces de détérioration évidentes
 - Signes de corrosion à l'intérieur de la valve
 - Traces de chaleur excessive ou de dégâts causés par le feu

4.3 Connexion de la bouteille au compresseur



AVERTISSEMENT !

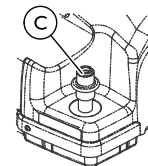
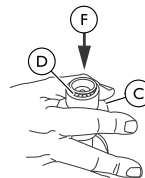
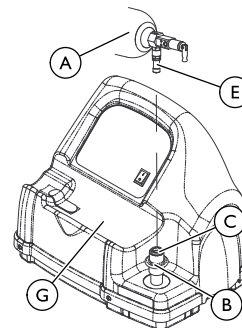
– N'utilisez JAMAIS d'outils d'aucune sorte pour connecter/déconnecter la bouteille et le compresseur. Le non-respect de cette consigne risque de provoquer des blessures graves ou des dommages matériels.







AVERTISSEMENT !

– NE faites PAS tomber les bouteilles d'oxygène. Manipulez et transportez les bouteilles d'oxygène à deux mains. Le non-respect de cette consigne risque de provoquer des blessures ou des dommages matériels.

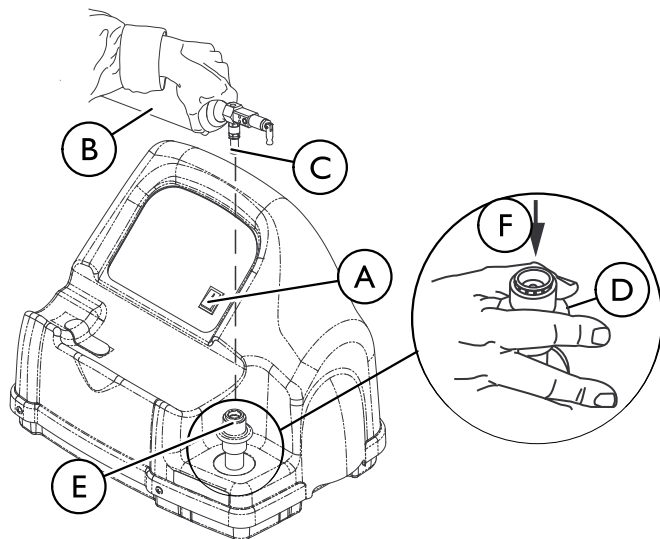
– N'utilisez PAS de détecteur de fuite liquide pour tester les fuites.



Caches de protection du port de remplissage non représentés pour plus de clarté.

1. Inspectez le produit pour détecter les traces de dommages visibles avant chaque utilisation. Reportez-vous à la section Inspection extérieure. N'utilisez PAS le produit en présence de dommages.
 -  Contactez le fournisseur d'équipements si une étiquette est illisible ou perdue pour une raison quelconque.
2. Observez la jauge de la bouteille. Si la pression de la bouteille est inférieure à 1 500 psig (10 342 kPa), passez à l'ÉTAPE 3.
 -  Reportez-vous au manuel d'utilisation de la bouteille pour identifier la jauge de la bouteille. Si la pression de la bouteille est **supérieure** à 1 500 psig (10 342 kPa), N'essayez PAS de remplir la bouteille. Le remplissage sera peut-être impossible.
3. Réglez le sélecteur de débit du régulateur de la bouteille (A) sur « Off ». Reportez-vous au manuel d'utilisation de la bouteille.
4. Enlevez la bouteille et les caches de protection du port de remplissage du connecteur (le cas échéant).
5. Enfoncez momentanément vers le BAS la bague externe (manchon) (B) du port de remplissage (C) du connecteur jusqu'à ce que les points VERTS (D) soient visibles pour réinitialiser le connecteur.
 -  Si la bague externe (manchon) est SURÉLEVÉE (points VERTS non visibles), le port de remplissage du connecteur ne pourra pas recevoir le port de remplissage (E) de la bouteille. Une pression momentanée vers le BAS sur (F) réinitialise le port de remplissage du connecteur (points VERTS visibles) qui peut alors recevoir le port de remplissage de la bouteille.
6. Saisissez la bouteille située derrière le port de remplissage de la bouteille.
7. Placez la bouteille dans le support (G) du compresseur.
8. Alignez le port de remplissage de la bouteille avec le port de remplissage du connecteur.
9. SOULEVEZ la bague externe (manchon) du port de remplissage du connecteur tout en APPUYANT sur la bouteille pour raccorder le port de remplissage de la bouteille au port de remplissage du connecteur.
 -  La bouteille est correctement raccordée lorsqu'un clic se fait entendre.

4.4 Déconnexion de la bouteille du compresseur



3. De l'autre main, saisissez la bague externe (manchon) du port de remplissage ⑤ du connecteur et appuyez vers le BAS (⑥).
4. Soulevez la bouteille pour la sortir du port de remplissage du connecteur.

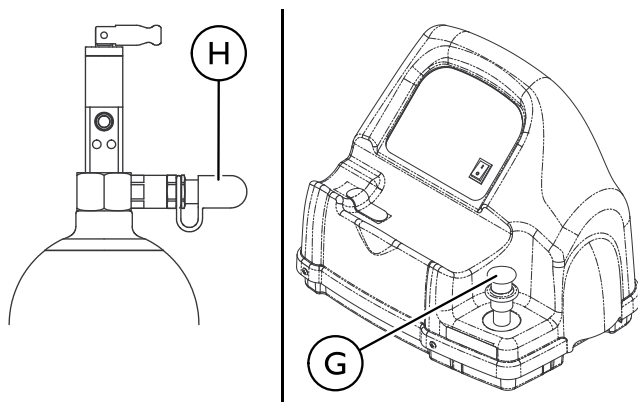


AVERTISSEMENT !

– N'utilisez JAMAIS d'outils d'aucune sorte pour connecter/déconnecter la bouteille et le compresseur. Le non-respect de cette consigne risque de provoquer des blessures graves ou des dommages matériels.

1. Mettre le commutateur d'alimentation ④ du compresseur sur Arrêt (O).
2. Saisissez la bouteille ② située derrière le port de remplissage de la bouteille ③.

5. Une fois le port de remplissage de la bouteille déconnecté du port de remplissage du connecteur, relâchez la bague externe (manchon) du port de remplissage du connecteur et retirez des deux mains la bouteille du support du compresseur.



6. Mettez les caches de protection du port de remplissage sur les ports de remplissage du connecteur © et de la bouteille ®.

i Lors de l'utilisation d'une bouteille dotée d'un robinet, connectez un régulateur d'oxygène en suivant les instructions du fabricant.

7. Examinez la jauge de la bouteille pour vous assurer que la bouteille est pleine (aiguille positionnée dans la zone VERTE). Si la bouteille n'est pas pleine, effectuez les opérations suivantes :

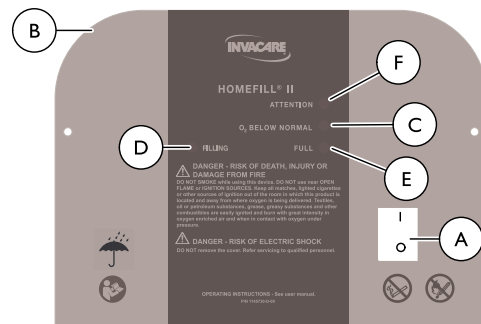
- Répétez la procédure de connexion de la bouteille au compresseur en suivant les instructions correspondantes dans cette section du manuel.
- Si la bouteille n'est pas pleine après une deuxième tentative de remplissage, contactez le fournisseur.

4.5 Mise sous et hors tension du compresseur




AVERTISSEMENT !


– Le cache de protection du port de remplissage du connecteur et le cache de protection du port de remplissage de la bouteille DOIVENT être remis en place après le remplissage et en cas de non-utilisation. Si l'un des caches des ports de remplissage est manquant, contactez votre prestataire de soins médicaux avant toute utilisation.




1. Assurez-vous que le concentrateur est sous tension. Reportez-vous au manuel d'utilisation du concentrateur.

 Le débit maximum du concentrateur d'oxygène administrable au patient est indiqué dans le tableau ci-dessous. Si ce débit n'est pas respecté, le niveau d'oxygène délivré au compresseur sera inférieur à 90 % et le compresseur ne remplira pas la bouteille.


Concentrateur d'oxygène	Débit maximum administrable au patient
Modèles 5 l	2,5 l/min
Modèles 9 l	5 l/min

 Les patients auxquels un débit supérieur a été prescrit ne doivent pas remplir de bouteille pendant l'administration d'un traitement supplémentaire du concentrateur d'oxygène. Si votre concentrateur ne correspond pas aux plages répertoriées dans le tableau, consultez votre manuel d'utilisation ou contactez votre fournisseur.

2. Réglez le débit du concentrateur délivré au patient sur l'un des réglages suivants. Reportez-vous au manuel d'utilisation du concentrateur.
 - 2,5 l/min ou moins pour les modèles 5 l
 - 5 l/min ou moins pour les modèles 9 l

 Les concentrateurs de marque autre qu'Invacare peuvent exiger l'administration de débits inférieurs au patient pour assurer des niveaux d'oxygène $\geq 90\%$ dans le compresseur HomeFill.

3. Assurez-vous que la bouteille est connectée au compresseur. Reportez-vous aux instructions de connexion de la bouteille au compresseur dans cette section du manuel.
4. Positionnez le commutateur d'alimentation **(A)** du panneau de commande sur Marche (I).
5. Examinez le panneau de commande **(B)**. La suite d'événements suivants doit se produire :
 - a. 0-3 minutes - Le témoin O₂ Below Normal (O₂ inférieur au niveau normal) (JAUNE) **(C)** s'allume pendant la période de préchauffage du compresseur.
 - b. Après trois minutes - Le témoin REMPLISSAGE (VERT) **(D)** s'allume lors du remplissage de la bouteille.
 - c. Le témoin PLEIN (VERT) **(E)** s'allume lorsque le remplissage de la bouteille est terminé. Passez à l'étape 6.

 le témoin O₂ BELOW NORMAL (O₂) INFÉRIEUR À LA NORMALE (JAUNE) peut s'allumer si le niveau d'oxygène du concentrateur n'est pas encore atteint ou est inférieur à 90 %. Le compresseur commence ou continue le remplissage lorsque le niveau d'oxygène atteint 90 %. Si le voyant ne s'éteint pas au bout de 10 minutes, reportez-vous à la section Dépannage de ce manuel. Si le témoin ATTENTION (ROUGE) et l'alarme sonore **(F)** sont en marche, reportez-vous à la section Dépannage de ce manuel.

6. Retirez la bouteille pleine. Reportez-vous aux instructions de déconnexion de la bouteille au compresseur dans cette section du manuel.
7. Mettez l'interrupteur du compresseur en position d'arrêt (O).



Pour plus d'informations sur le fonctionnement et l'utilisation de la bouteille, consultez le manuel d'utilisation de l'ensemble bouteille/régulateur concerné.

5 Maintenance

5.1 Informations de maintenance



DANGER !

Risque de choc électrique

Cet appareil comporte des composants mobiles et à haute pression. Il n'existe aucun composant interne pouvant être réparé par l'utilisateur sous le capot. Pour éviter toute décharge électrique, toute blessure ou tout décès :

- NE retirez PAS le capot.
- L'entretien doit être confié à du personnel qualifié.



AVERTISSEMENT !

– Seules les pièces et procédures identifiées dans cette section relèvent de la responsabilité de l'utilisateur. Toutes les autres pièces et procédures relèvent d'un technicien qualifié.

5.2 Usure normale

Invacare se réserve le droit de demander le retour de tout article présentant un défaut de fabrication allégué. Consultez la garantie fournie avec ce manuel pour obtenir des informations spécifiques de garantie.

Reportez-vous aux procédures de ce manuel d'utilisation pour obtenir un calendrier adapté d'entretien préventif et savoir comment utiliser le produit.

Il fournit des recommandation générales et ne concerne pas des produits endommagés en raison d'une utilisation abusive ou impropre. La vie utile dépend de plusieurs facteurs.

Les éléments et composants de ce produit touchés par l'usure normale sont énumérés ci-dessous.

- Tous types de filtres
- Tous types de tubes

5.3 Durée de vie

La durée de vie attendue de ce produit est de 5 ans ou 5 000 heures de fonctionnement lorsqu'il est utilisé dans le respect des instructions de sécurité et des intervalles de maintenance stipulés dans le présent manuel. La durée de vie effective peut varier en fonction de la fréquence et de l'intensité de l'utilisation. La maintenance doit être réalisée au moins une fois par semaine.

5.4 Nettoyage du filtre du compresseur




AVERTISSEMENT !

- Mettez l'interrupteur en position d'arrêt (O) et débranchez le compresseur avant de le nettoyer.
- NE faites PAS fonctionner le compresseur sans filtre.

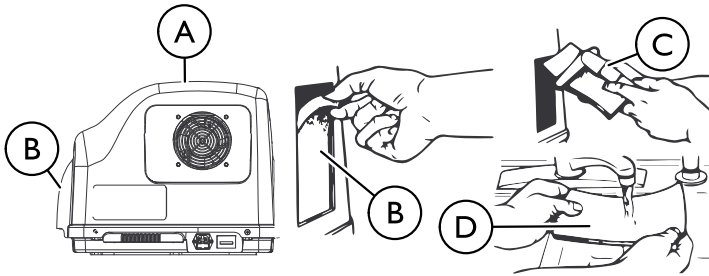


ATTENTION !

- NE débranchez PAS l'appareil en tirant sur le cordon. Pour le débrancher, saisissez la prise et non pas le cordon, au risque sinon de l'endommager.

 tous les compresseurs sont munis d'un filtre à l'arrière du boîtier.

réalisez cette procédure au moins une fois par semaine.



1. Débranchez le compresseur **A**. Saisissez la prise et non pas le cordon.
2. Retirez le filtre **B**.
3. Nettoyez le filtre à l'aide d'un aspirateur **C** ou lavez-le dans de l'eau chaude savonneuse et rincez-le soigneusement **D**.
4. Séchez complètement le filtre avant de le réinstaller.

5.5 Nettoyage du boîtier



DANGER !

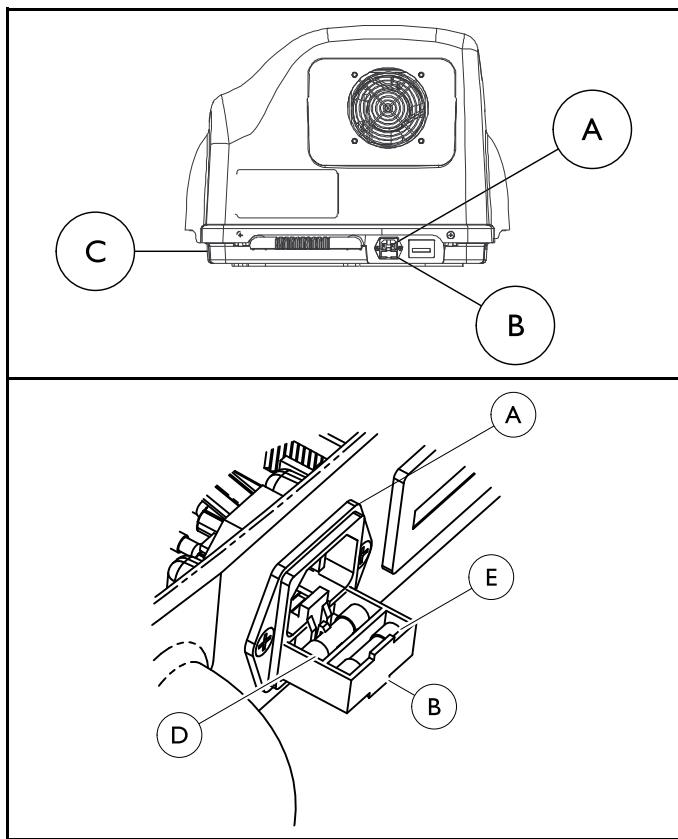
Risque de choc électrique

Cet appareil comporte des composants mobiles et à haute pression. Il n'existe aucun composant interne pouvant être réparé par l'utilisateur sous le capot. Pour éviter toute décharge électrique, toute blessure ou tout décès :

- NE retirez PAS le capot.
- L'entretien doit être confié à du personnel qualifié.

1. Nettoyez le boîtier à l'aide d'une éponge ou d'un chiffon imprégné d'un détergent doux et non-abrasif.

5.6 Remplacement du fusible



1. Débranchez le cordon d'alimentation de la prise électrique.
2. Retirez le cordon d'alimentation de la prise d'alimentation Ⓐ située sur la base du compresseur Ⓒ.
3. Sortez le porte-fusibles Ⓑ situé au bas de la prise d'alimentation.
4. À l'aide d'un extracteur de fusibles ou d'un petit tournevis plat, sortez le fusible avant du porte-fusibles et jetez-le.
 - ⓘ Le porte-fusibles peut contenir deux fusibles. Le logement avant est destiné au fusible opérationnel. L'appareil est fourni avec le fusible avant uniquement. Le logement arrière est destiné à un fusible de rechange (en option). Lorsque vous remplacez le fusible avant, vérifiez que le porte-fusibles contient toujours un fusible de rechange de type et de valeur nominale équivalents.
5. Installez le fusible de remplacement dans le logement du fusible avant Ⓓ.
 - ⓘ Utilisez exclusivement un fusible de type IEC 60127 de 5 mm x 20 mm, à action différée, à faible capacité de rupture, de 250 V et 2 A (référence Invacare 1099820).
6. Remplacez le porte-fusibles dans la prise d'alimentation.
7. Branchez le cordon d'alimentation dans la prise d'alimentation située sur la base du compresseur.
8. Branchez le cordon d'alimentation à une prise électrique.

9. Mettez le commutateur en position de marche (I) et assurez-vous que l'appareil se met en marche correctement.
10. Si l'appareil ne s'allume pas, mettez l'interrupteur en position d'arrêt, débranchez le cordon d'alimentation, puis appelez l'assistance technique de votre revendeur, fournisseur ou d'Invacare.

6 Après l'utilisation

6.1 Mise au rebut

Ce produit a été fourni par un fabricant conscient des enjeux environnementaux qui respecte les normes de la Directive 2012/19/UE sur les déchets d'équipements électriques et électroniques (DEEE).

Ce produit peut contenir des substances nuisibles à l'environnement s'il est jeté dans un endroit (décharge) non conforme à la législation en vigueur.

Le symbole de « poubelle barrée » est placé sur ce produit pour encourager le recyclage quand cela est possible.

Suivez les réglementations locales et les plans de recyclage régissant la mise au rebut de l'appareil ou des composants habituellement utilisés pour son fonctionnement. L'appareil ne génère pas de déchets ou de résidus en fonctionnement. NE jetez PAS l'appareil dans le circuit classique des déchets. Tout accessoire ne faisant pas partie de l'appareil DOIT être géré en conformité avec les indications de mise au rebut spécifiées pour l'appareil.

Préservez l'environnement en faisant recycler ce produit en fin de vie. Contactez Invacare ou votre prestataire de services pour plus d'informations sur le recyclage des produits.

7 Dépannage

7.1 Témoins lumineux

Couleur des témoins lumineux	État du compresseur	Effet
Aucune	Le compresseur est hors tension (Off).	O ₂ administré à l'utilisateur si le concentrateur est sous tension (On).
O ₂ BELOW NORMAL (O ₂ inférieur au niveau normal) - JAUNE	Le compresseur est sous tension (On) et en cours de préchauffage (0-3 minutes après la mise sous tension de l'appareil).	Le remplissage de la bouteille n'a pas commencé.
	Le niveau d'O ₂ du concentrateur est inférieur à 90 % (à tout moment après trois minutes de préchauffage).	O ₂ administré à l'utilisateur si le concentrateur est sous tension (On).
		Le remplissage de la bouteille s'arrête et reprendra lorsque le niveau d'O ₂ dépassera 90 %.
REPLISSAGE - VERT	Le compresseur est en fonctionnement et la bouteille se remplit. Le niveau d'O ₂ du concentrateur est supérieur à 90 % (à tout moment après trois minutes de préchauffage).	O ₂ administré à l'utilisateur si le concentrateur est sous tension (On).
		La bouteille est en cours de remplissage.
		O ₂ administré à l'utilisateur si le concentrateur est sous tension (On).

Couleur des témoins lumineux	État du compresseur	Effet
<p>PLEIN - VERT</p>	<p>Le compresseur est sous tension (On). Le remplissage de la bouteille est terminé (plein) - retirez la bouteille (le témoin FULL s'allume au bout de 10 minutes).</p> <p>ou</p> <p>La bouteille n'est pas correctement fixée - vérifiez le raccordement (le témoin FULL s'allume en moins de 10 minutes).</p>	<p>Le remplissage de la bouteille s'arrête.</p> <p>Il est impossible de remplir une autre bouteille si le compresseur n'est pas mis hors tension (Off) puis remis sous tension (On).</p> <p>O₂ administré à l'utilisateur si le concentrateur est sous tension (On).</p>
<p>ATTENTION - ROUGE (alarme sonore)</p>	<p>Le compresseur est sous tension (On). La bouteille ne se remplit PAS. Causes :</p> <p>La bouteille installée sur l'appareil sous tension est pleine - remplacez-la par une bouteille vide</p> <p>ou</p> <p>Erreur interne - contactez votre fournisseur.</p>	<p>Le compresseur ne commence pas le remplissage ou arrête le remplissage.</p> <p>L'appareil doit être mis hors tension, puis sous tension avant de procéder au remplissage.</p> <p>O₂ administré à l'utilisateur si le concentrateur est sous tension (On).</p>

7.2 Dépannage

Problème	Solution
Aucun témoin lumineux ne s'allume lorsque le compresseur est sous tension.	<ol style="list-style-type: none"> 1. Mettez le compresseur hors tension (O). 2. Vérifiez que le cordon d'alimentation est correctement branché au compresseur et à la prise murale. 3. Mettez le compresseur sous tension (I). 4. Nettoyez les filtres à air. Reportez-vous aux instructions de nettoyage du filtre du compresseur dans la section Maintenance du manuel. 5. Si les témoins lumineux ne s'allument toujours pas après avoir procédé aux Étapes 1-4, contactez votre prestataire de soins à domicile ou le service de maintenance Invacare.
Témoin ROUGE allumé	<ol style="list-style-type: none"> 1. Vérifiez la jauge de la bouteille pour voir si elle est pleine : <ul style="list-style-type: none"> • Si la bouteille est pleine, retirez-la et mettez l'appareil hors tension. Effectuez l'inspection du préremplissage de la bouteille indiqué dans la section Utilisation du manuel avec une bouteille non pleine. • Si la bouteille n'est pas pleine, passez à l'étape 2. 2. Vérifiez que la bouteille est correctement installée. <ul style="list-style-type: none"> • Mettez le compresseur hors tension (O). • Retirez la bouteille et réinstallez-la. • Mettez le compresseur sous tension (I). Si la bouteille n'est pas pleine et est correctement installée, cela signifie que le compresseur présente une erreur interne. Contactez votre prestataire de soins à domicile ou le service de maintenance Invacare.

Problème	Solution
<p>Le compresseur s'allume et s'éteint.</p> <p>ou</p> <p>Le témoin O₂ Below Normal (O₂ inférieur au niveau normal) (jaune) alterne avec le témoin filling (Remplissage) (vert).</p> <p>ou</p> <p>Le témoin O₂ Below Normal (O₂ inférieur au niveau normal) (jaune) s'allume et s'éteint.</p>	<ol style="list-style-type: none"> 1. Vérifiez que le débit du concentrateur est inférieur ou égal au débit répertorié dans <i>4.5 Mise sous et hors tension du compresseur, page 159</i>. Réglez le débit si nécessaire (reportez-vous au manuel d'utilisation du concentrateur). Attendez au moins 20 minutes avant que le témoin VERT ne s'allume. S'il ne s'allume pas, passez à l'étape 2. 2. Le concentrateur a peut-être besoin d'être réparé. Contactez votre prestataire de soins à domicile ou le service de maintenance Invacare.
<p>Le témoin O₂ Below Normal (O₂ inférieur au niveau normal) (JAUNE) reste allumé.</p>	<ol style="list-style-type: none"> 1. Vérifiez que le concentrateur est allumé depuis au moins 20 minutes. Dans le cas contraire, mettez le compresseur hors tension jusqu'à la fin de la période de préchauffage du concentrateur. Si le témoin JAUNE est toujours allumé, passez à l'étape 2. 2. Vérifiez que la connexion entre le compresseur et le concentrateur n'est pas endommagée ou comprimée. <ul style="list-style-type: none"> • Si elle est endommagée, remplacez-la. • Si elle est comprimée, redressez le tuyau. Mettez le compresseur hors tension (O) pendant au moins 10 secondes. Mettez le compresseur sous tension (I). Si le témoin JAUNE est toujours allumé passé un délai de 10 minutes, passez à l'étape 3. 3. Le concentrateur a peut-être besoin d'être réparé. Contactez votre prestataire de soins à domicile ou le service de maintenance Invacare.

Problème	Solution
<p>Les temps de remplissage dépassent le maximum recommandé OU le témoin de remplissage VERT reste allumé.</p>	<ol style="list-style-type: none"> 1. Vérifiez que le régulateur de la bouteille est positionné sur Off (O). 2. Vérifiez la durée de remplissage recommandée dans le manuel de la bouteille. 3. Vérifiez que la bouteille est correctement installée. Mettez le compresseur hors tension (O). Retirez la bouteille et réinstallez-la. Mettez le compresseur sous tension (I). 4. Vérifiez que la connexion entre le compresseur et le concentrateur est correcte et n'est pas endommagée (par ex., fuite ou torsion). 5. Vérifiez que le débit du concentrateur est inférieur ou égal au débit répertorié dans <i>4.5 Mise sous et hors tension du compresseur, page 159</i> Réglez le débit si nécessaire (reportez-vous au manuel d'utilisation du concentrateur). Si le témoin VERT de remplissage reste allumé, cela signifie que le compresseur et/ou le concentrateur ont peut-être besoin d'être réparés. Contactez votre prestataire de soins à domicile ou le service de maintenance Invacare.
<p>Bruit excessif lorsque le concentrateur est sous tension</p>	<ol style="list-style-type: none"> 1. Contactez votre prestataire de soins à domicile ou le service de maintenance Invacare.
<p>Le régulateur produit un sifflement lorsque le sélecteur de débit est sur Off</p>	<ol style="list-style-type: none"> 1. Mettez le sélecteur de débit hors tension. 2. Si le sifflement persiste, contactez votre prestataire de soins à domicile ou le service de maintenance Invacare.
<p>Le régulateur est sous tension mais aucune administration d'O₂ ne se produit</p>	<ol style="list-style-type: none"> 1. Remplissez de nouveau la bouteille. 2. Vérifiez que la canule est droite et non pincée. Si elle est endommagée, remplacez-la. 3. Contactez votre prestataire de soins à domicile ou le service de maintenance Invacare.



Se reporter au manuel d'utilisation de la bouteille pour connaître les durées de remplissage correctes.

Les durées de remplissage sont approximatives et peuvent varier en fonction des conditions environnementales.

8 Caractéristiques Techniques

8.1 Description technique

Le système d'oxygénation HomeFill II (IOH200AW) est un système électromécanique prescrit pour un usage personnel domicile. Sa fonction et son utilisation prévues sont de distribuer de l'oxygène pressurisé pour remplir des bouteilles d'oxygène Invacare usage ambulatoire tandis que le patient reçoit de l'oxygène thérapeutique partir d'un concentrateur d'oxygène. Le système d'oxygénation IOH200AW est conçu pour être utilisé avec les concentrateurs d'oxygène conformes aux spécifications d'entre-de-pression, de débit et de pureté de l'oxygène.

Le système d'oxygénation HomeFill II se compose d'un compresseur IOH200AW, de tubes de connexion et de bouteilles de gaz portables fournies par Invacare munies d'un régulateur de débit intégré et d'un raccord de remplissage verrouillable.

Le compresseur IOH200AW comprend un compresseur multistage, un réservoir interne, des dispositifs électroniques de commande munis d'un capteur de concentration en oxygène intégré, un raccord de remplissage verrouillable, un raccord d'entrée et un moteur d'entraînement. Le fonctionnement du compresseur est contrôlé par un ensemble électronique. Le moteur/compresseur est capable de remplir une bouteille uniquement lorsque le taux de concentration d'oxygène est supérieur 90 % et lorsque la pression de la bouteille n'est pas supérieure 10 342 kPa (1 500 psi). L'opération de remplissage par le moteur/compresseur est terminée lorsque le gaz présent

dans la bouteille atteint la pression de remplissage maximum de 13 786 kPa (2 000 psi).

Le compresseur IOH200AW permet de remplir des bouteilles destinées à une utilisation ambulatoire par les patients. Les bouteilles de gaz portables fournies par Invacare sont munies d'un raccord de remplissage verrouillable pouvant s'adapter uniquement sur le compresseur IOH200AW d'Invacare. La bouteille comporte également un régulateur de débit intégré avec des paramètres de débit fixes et sélectionnables.

8.2 Durées de remplissage de la bouteille

DURÉES DE REMPLISSAGE DE LA BOUTEILLE	Débit du concentrateur délivré au patient :	
		Modèles 5 l jusqu'à 2,5 l/min. Modèles 9 l jusqu'à 5 l/min.
	HF2PCE9A	HF2PCE6
NORMAL	2 heures 20 min	1 heure 25 min
MAXIMUM	2 heures 45 min	1 heure 50 min



Les durées de remplissage type supposent que les exigences d'entrée sont remplies.

Les durées de remplissage peuvent varier en fonction des conditions environnementales.

8.3 Caractéristiques techniques

Listes réglementaires

Listes réglementaires :	EN/IEC 60601-1
	EN/IEC 60601-1-2

Caractéristiques d'entrée

Pression d'entrée requise :	5 – 25 psi (34,5 – 172,4 kPa)
Débit d'entrée requis :	2 l/min
Pureté de l'oxygène d'entrée :	> à 90 % d'O ₂

Caractéristiques générales

Caractéristiques électriques :	230 V~, 1,0 A, 50 Hz
Conditions ambiantes de fonctionnement :	de 5 à 40 °C (de 41 à 104 °F) à une humidité sans condensation comprise entre 15 et 60 %
Pression atmosphérique :	de 700 à 1 060 hPa
Stockage et transport :	de -23 à 70 °C (de -25 à 158 °F) à une humidité sans condensation comprise entre 15 et 95 %.
Largeur :	51,44 cm (20 ¼")
Hauteur :	38,1 cm (15")

Profondeur :	40,64 cm (16")
Poids :	14,97 kg (33 lbs)
Poids à l'expédition :	17,69 kg (39 lbs)

8.4 Compatibilité électromagnétique (CEM)

Directives et déclaration de conformité du fabricant au sujet des émissions électromagnétiques

Ce dispositif est destiné à être utilisé dans l'environnement électromagnétique décrit ci-dessous. L'utilisateur ou l'acheteur du dispositif doivent s'assurer qu'il est bien utilisé dans un tel environnement.

Test relatif aux émissions	Conformité	Directives relatives à l'environnement électromagnétique
Émissions RF CISPR 11	Groupe I	Le dispositif utilise l'énergie RF uniquement pour son fonctionnement interne. Il émet donc des ondes RF très faibles et il est peu probable qu'elles interfèrent avec l'équipement électronique à proximité.
Émissions RF CISPR 11	Classe B	Ce dispositif peut être utilisé dans tous les établissements, y compris les habitations et les établissements directement connectés au réseau d'alimentation public basse tension qui alimente les bâtiments destinés à accueillir des habitations.
Émissions de courant harmonique IEC 61000-3-2	Classe A	
Fluctuations de tension/émissions de scintillement IEC 61000-3-3	Conforme	

Directives et déclaration de conformité du fabricant au sujet de l'immunité électromagnétique

Ce dispositif est destiné à être utilisé dans l'environnement électromagnétique décrit ci-dessous. L'utilisateur ou l'acheteur du dispositif doivent s'assurer qu'il est bien utilisé dans un tel environnement.

Test d'immunité	Niveau du test IEC 60601	Niveau de conformité	Directives relatives à l'environnement électromagnétique
Décharges électrostatiques IEC 61000-4-2	$\pm 2, 4, 8$ kV par contact $\pm 2, 4, 8, 15$ kV dans l'air	$\pm 2, 4, 8$ kV par contact $\pm 2, 4, 8, 15$ kV dans l'air	Le revêtement de sol doit être du bois, du béton ou des carreaux de céramique. Si le sol est recouvert d'un matériau synthétique, l'humidité relative doit être d'au moins 30 %.
Transitoires électriques rapides en salves IEC 61000-4-4	± 2 kV secteur 100 kHz	± 2 kV secteur 100 kHz	La qualité du réseau électrique doit être la même que celle du réseau électrique d'un hôpital ou d'un établissement commercial.
Ondes de choc IEC 61000-4-5	± 1 kV de ligne(s) à ligne(s) ± 2 kV de ligne(s) à terre	± 1 kV de ligne(s) à ligne(s) ± 2 kV de ligne(s) à terre	La qualité du réseau électrique doit être la même que celle du réseau électrique d'un hôpital ou d'un établissement commercial.
Creux de tension IEC 61000-4-11	$0 \% U_T$; cycle de $1/2$ à $0^\circ, 45^\circ, 90^\circ, 135^\circ, 180^\circ, 225^\circ, 270^\circ$ et 315° et $0 \% U_T$; 1 cycle et $70 \% U_T$; 25/30 cycles monophasé : à 0°	$0 \% U_T$; cycle de $1/2$ à $0^\circ, 45^\circ, 90^\circ, 135^\circ, 180^\circ, 225^\circ, 270^\circ$ et 315° et $0 \% U_T$; 1 cycle et $70 \% U_T$; 25/30 cycles monophasé : à 0°	La qualité du réseau électrique doit être la même que celle du réseau électrique d'un hôpital ou d'un établissement commercial. S'il est nécessaire que le dispositif continue à fonctionner pendant une coupure de courant, il est recommandé de le brancher sur un système d'alimentation sans coupure ou sur une batterie. U_T représente la tension d'alimentation secteur avant l'application du niveau de test.

<p>Coupures de tension IEC 61000-4-11</p>	<p>0 % U_T ; 250/300 cycles</p>	<p>0 % U_T ; 250/300 cycles</p>	<p>La qualité du réseau électrique doit être la même que celle du réseau électrique d'un hôpital ou d'un établissement commercial. S'il est nécessaire que le dispositif continue à fonctionner pendant une coupure de courant, il est recommandé de le brancher sur un système d'alimentation sans coupure ou sur une batterie.</p> <p>U_T représente la tension d'alimentation secteur avant l'application du niveau de test.</p>
<p>Champ magnétique à la fréquence du réseau (50/60 Hz) IEC 61000-4-8</p>	<p>30 A/m, 50/60 Hz</p>	<p>30 A/m, 50/60 Hz</p>	<p>Les champs magnétiques de fréquence industrielle doivent avoir les mêmes caractéristiques que ceux présents dans un hôpital ou un établissement commercial.</p>

<p>Perturbations conduites, induites par les champs radioélectriques IEC 61000-4-6</p>	<p>3 Vrms, 6 Vrms</p>	<p>3 Vrms, 6 Vrms</p>	<p>Les appareils de communication radioélectriques portables et mobiles ne doivent pas être utilisés à une distance inférieure à la distance recommandée par rapport à toutes les parties du dispositif, y compris des câbles. Cette distance est calculée à partir de l'équation applicable à la fréquence de l'émetteur.</p> <p>Distance recommandée de séparation :</p> <p>$d = 1,2 \sqrt{P}$ De 150 kHz à 80 MHz</p>
<p>Champs électromagnétiques rayonnés aux fréquences radioélectriques IEC 61000-4-3</p>	<p>10 V/m</p>	<p>10 V/m</p>	<p>$d = 0,35 \sqrt{P}$ De 80 à 800 MHz $d = 0,7 \sqrt{P}$ De 800 MHz à 2,5 GHz</p> <p>où P représente la puissance maximale de sortie de l'émetteur en watts (W) fournie par son fabricant et d la distance de séparation recommandée en mètres (m).</p> <p>L'intensité de champ des émetteurs RF fixes, qui est déterminée par une étude sur site, ^a doit être inférieure au niveau de conformité pour chaque plage de fréquences.^b</p>

Des interférences peuvent se produire à proximité des appareils comportant le symbole suivant :



^a Il n'est pas possible de prévoir avec précision l'intensité de champ des appareils émetteurs fixes, comme les radios amateurs, les stations de radio-amateur, la radiodiffusion ou la télédiffusion AM et FM ainsi que les stations de base pour les radios, les téléphones sans fil et cellulaires et les radios mobiles terrestres. Afin d'évaluer l'environnement électromagnétique résultant des appareils émetteurs RF fixes, il est nécessaire d'effectuer une étude sur site. Si l'intensité de champ mesurée à l'endroit où le dispositif est utilisé est supérieure au niveau de conformité applicable aux émissions RF ci-dessus, il sera nécessaire d'observer si le dispositif fonctionne normalement. En cas de fonctionnement anormal, il conviendra de prendre d'autres mesures comme déplacer ou réorienter le dispositif.

^b Sur la plage de fréquences allant de 150 kHz à 80 MHz, l'intensité de champ doit être inférieure à [V1] V/m.

À 80 MHz et 800 MHz, la plage de fréquences la plus élevée s'applique.

Distances de séparation recommandées entre les appareils de communication radioélectriques portables et mobiles et le dispositif.

Ce dispositif est destiné à être utilisé dans un environnement électromagnétique où les perturbations radioélectriques émises sont contrôlées. L'acheteur ou l'utilisateur du dispositif peuvent éviter les interférences électromagnétiques en maintenant une distance minimale entre les appareils de communication radioélectriques portables et mobiles (émetteurs) et le dispositif. Cette distance est indiquée dans le tableau ci-dessous et dépend de la puissance maximale de sortie des appareils de communication.

Puissance maximale de sortie de l'émetteur [W]	Distance de séparation en fonction de la fréquence de l'émetteur [m]		
	De 150 kHz à 80 MHz d = 1,2 √P	De 80 à 800 MHz d = 0,35 √P	De 800 MHz à 2,5 GHz d = 0,7 √P
0,01	0,12	0,04	0,07
0,1	0,37	0,11	0,22

Invacare® HomeFill® II Oxygen System

1	1,17	0,35	0,70
10	3,69	1,11	2,21
100	11,67	3,50	7,00

Pour les émetteurs dont la puissance maximale de sortie n'est pas mentionnée dans le tableau ci-dessus, il est possible de calculer la distance de séparation (d) en mètres (m) à l'aide d'une équation correspondant à la fréquence de l'émetteur et dans laquelle P correspond à la puissance maximale de sortie de l'émetteur en watts (W) indiquée par le fabricant.

À 80 MHz et 800 MHz, la distance de séparation pour la plage de fréquences la plus élevée s'applique.



Ces consignes peuvent ne pas s'appliquer dans certaines situations. La propagation électromagnétique varie selon les propriétés d'absorption et de réflexion des structures, des objets et des personnes.

Sommario

Il presente manuale deve essere fornito all'utilizzatore del prodotto. PRIMA di utilizzare il prodotto, È NECESSARIO leggere il presente manuale e conservarlo per poterlo consultare in futuro.

1 Generale	.184
1.1 Simboli	.184
1.2 Uso previsto	.185
1.3 Indicazioni per l'uso	.186
1.4 Pezzi di ricambio	.186
1.5 Controindicazioni	.186
1.6 Garanzia	.186
2 Sicurezza	.187
2.1 Linee guida generali	.187
2.2 Posizione delle etichette	.191
2.3 Informazioni per il fornitore	.193
2.4 Prodotti a doppio isolamento	.193
2.5 Informazioni sulla compatibilità elettromagnetica (EMC)	.193
3 Messa in servizio	.195
3.1 Disimballaggio	.195
3.2 Lista di controllo per la preparazione iniziale del compressore	.195
3.3 Scelta di un'ubicazione	.196
3.4 Trasporto del compressore	.198
3.5 Installazione del cavo di alimentazione	.198
3.6 Collegamento del compressore al concentratore	.199
3.6.1 Collegamento del compressore ai concentratori Invacare	.199
3.6.2 Collegamento del compressore ai concentratori non Invacare	.199
4 Uso	.200
4.1 Lista di controllo del funzionamento del compressore	.200

4.2 Controllo della bombola prima del riempimento	.201
4.3 Collegamento della bombola al compressore	.203
4.4 Scollegamento della bombola dal compressore	.205
4.5 Accensione e spegnimento del compressore	.206
5 Manutenzione	.209
5.1 Informazioni di manutenzione	.209
5.2 Consumo e usura	.209
5.3 Durata	.209
5.4 Pulizia del filtro del compressore	.209
5.5 Pulizia dell'alloggiamento	.210
5.6 Sostituzione del fusibile	.211
6 Dopo l'utilizzo	.212
6.1 Smaltimento	.212
7 Guida alla soluzione dei problemi	.213
7.1 Spie	.213
7.2 Guida alla soluzione dei problemi	.215
8 Dati Tecnici	.219
8.1 Descrizione tecnica	.219
8.2 Tempi di riempimento della bombola	.219
8.3 Specifiche	.220
8.4 Compatibilità elettromagnetica (EMC)	.221

1 Generale

1.1 Simboli

Simboli nel manuale

Nel presente manuale tutte quelle situazioni non sicure o pericolose che possono portare a lesioni alle persone o danni ai materiali sono evidenziate mediante simboli. Qui di seguito sono riportate le spiegazioni di tutti i possibili avvertimenti.



PERICOLO!

– Situazione di pericolo imminente che, se non evitata, sarà causa di morte o lesioni gravi.



ATTENZIONE!

– Situazione di pericolo potenziale che, se non evitata, potrebbe causare morte o lesioni gravi.



AVVERTENZA!

– Situazione di pericolo potenziale che, se non evitata, potrebbe causare danni al prodotto o lesioni lievi o entrambi.



IMPORTANTE

– Situazione pericolosa che, se non evitata, potrebbe essere causa di danni al prodotto.



Indica consigli utili, raccomandazioni e informazioni per un uso efficace e senza inconvenienti.

Simboli sul prodotto

I simboli seguenti sono presenti sul compressore, sulla confezione del compressore o sulla bombola di ossigeno.



Leggere il manuale (compressore)



Il colore dello sfondo del simbolo è blu sulle etichette del prodotto.



Leggere il manuale (bombola)



Pericolo elettrico



Corrente alternata



Apparecchiatura di tipo BF – parti applicate



Interruttore di alimentazione “ON”



Interruttore di alimentazione “OFF”



NON fumare



Vietato utilizzare fiamme libere



Classe II, doppio isolamento. Fare riferimento a Prodotti a doppio isolamento nella sezione sulla sicurezza di questo manuale.



Mantenere asciutto durante il trasporto, lo stoccaggio e l'uso

IP21

Protetto contro corpi estranei solidi superiori a 12,5 mm di diametro.

Protetto da caduta verticale di gocce d'acqua.



Fusibile



Ossidante



Il colore dello sfondo del simbolo è giallo sulle etichette del prodotto.



Gas non infiammabile, tipo classe 2 (ossigeno)



Il colore dello sfondo del simbolo è verde sulle etichette del prodotto.



Temperatura di trasporto e conservazione



Umidità di trasporto e di conservazione



Riciclare il prodotto. Fare riferimento a Smaltimento delle apparecchiature e degli accessori nella sezione Dopo l'uso del manuale.



In conformità con le direttive UE applicabili, incluse le Direttive sui dispositivi medici (MDD) (93/42/CEE)



Rappresentante autorizzato nella Comunità europea



Produttore

1.2 Uso previsto

Il compressore HomeFill Invacare è stato progettato per essere utilizzato solo con i concentratori di ossigeno che soddisfano le specifiche di ingresso elencate nella sezione 8.3 *Specifiche, pagina 220*

NON utilizzare il compressore HomeFill Invacare con qualcosa di diverso da un concentratore di ossigeno che soddisfi i requisiti di ingresso del compressore.

L'uso previsto del compressore Invacare HomeFill è un dispositivo accessorio per un concentratore di ossigeno che permette al paziente di riempire le bombole di ossigeno portatili per uso personale.

Il prodotto è destinato all'uso da parte di un solo paziente, esclusivamente in ambienti chiusi per l'assistenza sanitaria a domicilio e non deve essere utilizzato come mezzo professionale per il riempimento di bombole.

Per utilizzare il prodotto, non è necessaria alcuna conoscenza specifica del prodotto o formazione, al di là di quanto enunciato nel presente manuale.

Durante il rifornimento, tale prodotto non deve essere utilizzato per l'erogazione terapeutica di ossigeno.

Questo prodotto è destinato ad essere utilizzato da un adulto o sotto la supervisione di quest'ultimo solo dopo aver letto e capito le istruzioni e le avvertenze contenute nel manuale d'uso.



ATTENZIONE!

- L'utilizzo di questo dispositivo è limitato al rifornimento delle bombole di ossigeno di uno specifico paziente. Le bombole in oggetto DEVONO essere utilizzate ESCLUSIVAMENTE da parte dello specifico paziente che richiede la somministrazione di ossigeno e non devono essere distribuite ad altre persone per nessun'altra finalità.
- Non è previsto nessun altro utilizzo del dispositivo.

1.3 Indicazioni per l'uso

Indicato per consentire al paziente di ricaricare le bombole di ossigeno portatili personalizzate per uso personale.

1.4 Pezzi di ricambio

Invacare mette a disposizione i pezzi di ricambio seguenti:

- Linea di alimentazione, codice articolo 1105177
- Cavo di alimentazione, codice articolo 1085605



Questi pezzi sono modelli base. Contattare Invacare o il proprio fornitore per i numeri di pezzi specifici per il proprio Paese.

1.5 Controindicazioni

Non si conoscono controindicazioni.

1.6 Garanzia

I termini e le condizioni della garanzia sono parte integrante delle condizioni generali e di quelle specifiche per i singoli paesi in cui questo prodotto viene commercializzato.

2 Sicurezza

2.1 Linee guida generali



PERICOLO!

Rischio di morte, lesioni o danni

Un uso improprio del prodotto può essere causa di morte, lesioni o danni. Questa sezione contiene informazioni importanti per il funzionamento e l'utilizzo sicuro di questo prodotto.

- NON usare questo prodotto o nessun altro dispositivo opzionale disponibile senza prima aver letto e compreso attentamente e fino in fondo le presenti istruzioni ed ogni altro materiale informativo come il Manuale d'uso, il Manuale per la manutenzione o i Fogli di istruzione forniti con questo prodotto o con gli accessori.
- Qualora alcune avvertenze, precauzioni o istruzioni fossero di difficile comprensione, contattare un operatore sanitario qualificato, il fornitore o tecnici qualificati prima di iniziare a utilizzare questa apparecchiatura.



PERICOLO!

Rischio di morte, lesioni o danni

Un uso improprio del prodotto può essere causa di morte, lesioni o danni. Questa sezione contiene informazioni importanti per il funzionamento e l'utilizzo sicuro di questo prodotto.

- Verificare che TUTTI i componenti esterni e la scatola d'imballaggio non presentino danni. In caso di danni o se il prodotto non funziona correttamente, contattare un tecnico o Invacare per la riparazione.
- Per garantire che il montaggio, il collegamento e il funzionamento del compressore HomeFill avvengano in condizioni di sicurezza, è FONDAMENTALE attenersi a queste istruzioni.
- LE INFORMAZIONI CONTENUTE NEL PRESENTE MANUALE POSSONO ESSERE MODIFICATE SENZA PREAVVISO.



PERICOLO!

Rischio di morte, lesioni o danni causati dal fuoco

Prodotti tessili, olio o sostanze a base di petrolio, grasso, sostanze grasse o altri combustibili possono prendere fuoco facilmente e divampare con grande intensità in aria arricchita d'ossigeno e se entrano in contatto con ossigeno sotto pressione. Per evitare incendi, morte, lesioni o danni:

- NON FUMARE mentre si utilizza questo dispositivo.
- NON utilizzare il dispositivo in prossimità di FIAMME LIBERE o MATERIALI INFIAMMABILI
- NON utilizzare lubrificanti di nessun tipo sul compressore, a meno che non siano raccomandati da Invacare.
- I cartelli di DIVIETO DI FUMARE devono essere ben visibili.



PERICOLO!

Rischio di morte, lesioni o danni causati dal fuoco

Prodotti tessili, olio o sostanze a base di petrolio, grasso, sostanze grasse o altri combustibili possono prendere fuoco facilmente e divampare con grande intensità in aria arricchita d'ossigeno e se entrano in contatto con ossigeno sotto pressione. Per evitare incendi, morte, lesioni o danni:

- Evitare la formazione di scintille in prossimità del concentratore d'ossigeno. Ciò comprende scintille dovute all'elettricità statica causata da qualsiasi tipo d'attrito.
- Tenere fiammiferi, sigarette accese o altre fonti infiammabili fuori della stanza in cui si trova il compressore e lontano dal punto in cui l'ossigeno viene erogato.
- Non coprire i tubi dell'ossigeno, il cavo e il compressore con oggetti quali coperte, copriletto, cuscini o capi d'abbigliamento e tenerli lontani da superfici calde o fonti di calore come stufe, piani di cottura e apparecchiature elettriche simili.

**PERICOLO!****Rischio di morte, lesioni o danni causati dal fuoco**

Prodotti tessili, olio o sostanze a base di petrolio, grasso, sostanze grasse o altri combustibili possono prendere fuoco facilmente e divampare con grande intensità in aria arricchita d'ossigeno e se entrano in contatto con ossigeno sotto pressione. Per evitare incendi, morte, lesioni o danni:

- NON permettere che l'unto proveniente da mani o da altre fonti entri in contatto con l'accoppiatore del compressore o i raccordi della bombola. Tali sostanze potrebbero diventare infiammabili in presenza dell'ossigeno e causare lesioni. Evitare di toccare i raccordi della bombola, per quanto possibile. Gli oggetti da evitare sono per esempio: le creme o le lozioni, gli oli da cucina, le creme o i blocchi solari e prodotti oleosi simili. Se si utilizzano questi tipi di prodotti, Invacare consiglia di lavarsi le mani prima di utilizzare l'unità HomeFill. Qualora i raccordi della bombola venissero in contatto con tali sostanze, occorre pulirli a fondo con un panno umido prima di collegarli al compressore.

**PERICOLO!****Rischio di morte, lesioni o danni causati dal fuoco**

Prodotti tessili, olio o sostanze a base di petrolio, grasso, sostanze grasse o altri combustibili possono prendere fuoco facilmente e divampare con grande intensità in aria arricchita d'ossigeno e se entrano in contatto con ossigeno sotto pressione. Per evitare incendi, morte, lesioni o danni:

- Non oliare né lubrificare MAI l'accoppiatore del compressore né i raccordi delle bombole. NON utilizzare mai oli o lubrificanti penetranti, come WD-40® o 3-in-1 Oil®. In caso di difficoltà nell'effettuare il collegamento, verificare che i raccordi della bombola vengano inseriti perpendicolarmente verso il basso nell'accoppiatore del compressore. Se le difficoltà persistono, contattare il proprio fornitore per assistenza.

**PERICOLO!****Rischio di scosse elettriche**

Questa unità contiene componenti in movimento e ad alta pressione. All'interno del coperchio non sono presenti parti riparabili dall'utente. Per evitare scosse elettriche, lesioni o decessi:

- NON rimuovere il coperchio.
- Per la manutenzione, rivolgersi a personale qualificato.



ATTENZIONE!

Pericolo di lesioni gravi o danni

L'utilizzo di accessori non Invacare può causare lesioni gravi o danni.

- I prodotti Invacare sono appositamente progettati e costruiti per essere utilizzati in combinazione con accessori Invacare. Accessori progettati da altri costruttori non sono stati collaudati da Invacare, pertanto se ne sconsiglia l'uso con i prodotti Invacare.
- Non è consentita alcuna modifica all'apparecchio.
- NON usare accessori non Invacare.
- Per ottenere accessori Invacare, contattare Invacare per telefono oppure all'indirizzo www.invacare.com.



ATTENZIONE!

Pericolo di lesioni o danni

Bloccare il flusso di aria in entrata e in uscita dal compressore può provocare lesioni o danni.

- NON bloccare MAI le bocchette dell'aria del concentratore e non posizionarlo mai su una superficie morbida, come un letto o un divano, che possa impedire l'entrata dell'aria.
- Mantenere le aperture libere da ogni eventuale ostruzione, capelli, pelucchi o altro.



ATTENZIONE!

Pericolo di lesioni o danni

Un prodotto danneggiato può funzionare in modo non adeguato ed essere causa di lesioni o danni.

Per evitare lesioni o danni:

- NON far bagnare il compressore.
- Se il cavo o la spina del compressore sono danneggiati, oppure se il compressore non funziona correttamente, è caduto, è stato danneggiato o è stato immerso in acqua, rivolgersi a un tecnico specializzato affinché provveda alla necessaria verifica e riparazione.



ATTENZIONE!

– NON utilizzare il compressore all'aperto. Solo per l'uso al chiuso.

– Qualora la bombola di ossigeno presenti una perdita, NON tentare di utilizzarla. Ruotare la manopola del selettore di flusso del regolatore su "Off". Se la perdita persiste, trasferire la bombola all'esterno dell'edificio e segnalare l'accaduto al fornitore di apparecchiature per la cura a domicilio o a un addetto dell'assistenza tecnica.

– I bambini non vanno MAI persi di vista quando si trovano nei pressi dell'unità HomeFill. Se viene utilizzata con il tavolo HomeFill o con superfici di supporto di una certa altezza, un bambino potrebbe tirare il tavolo facendo cadere l'unità. Il mancato rispetto di questa avvertenza può avere come conseguenza lesioni personali o danni al prodotto.

**ATTENZIONE!****Pericolo di lesioni o danni**

L'apparecchiatura HomeFill è dotata di una valvola di spurgo dell'alta pressione per garantire l'incolumità dell'utilizzatore. Se attivata, questa funzione di sicurezza produrrà un suono molto forte. Per evitare lesioni o danni:

- Se si sente questo suono, spegnere l'unità posizionandola su Off e contattare il fornitore di apparecchiature per la cura a domicilio o a un addetto dell'assistenza tecnica.

**ATTENZIONE!****Rischio di morte, lesioni o danni**

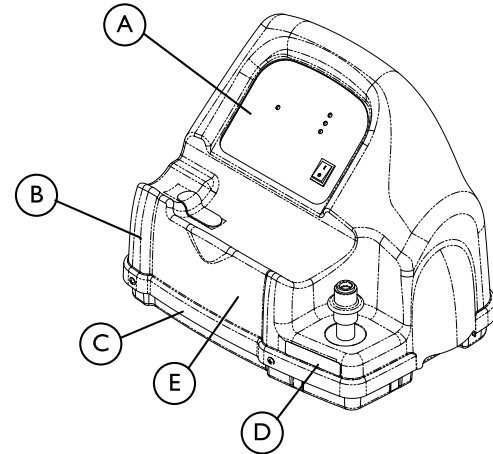
Se non correttamente posizionato e fissato, il cavo di alimentazione e il tubo flessibile di collegamento possono provocare lesioni dovute a inciampamenti, cadute e strangolamento. Potrebbero verificarsi anche danni al prodotto.

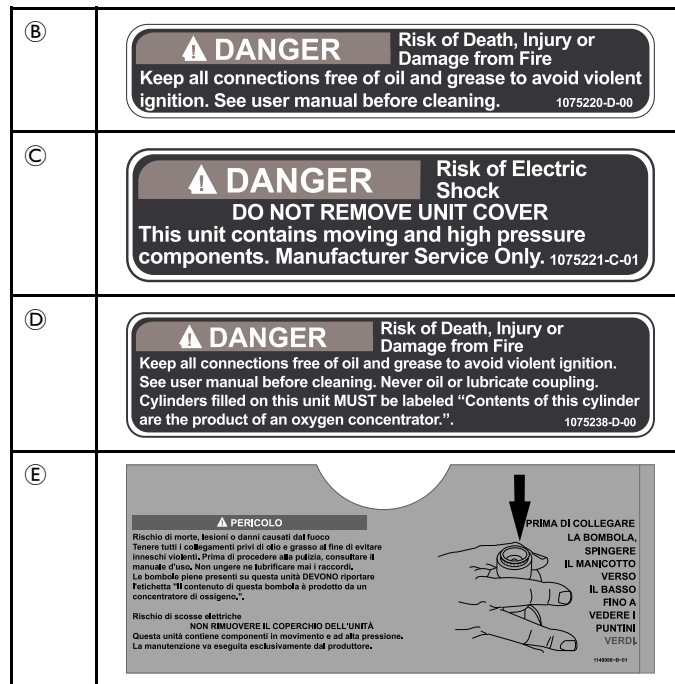
- Conservare e disporre adeguatamente i cavi elettrici e/o i tubi al fine di evitare il rischio di inciampamento e strangolamento.
- Evitare di posizionare i cavi di alimentazione attraverso aree ad alto traffico.
- Prima di spostare o riposizionare il compressore o il concentratore, scollegare SEMPRE i cavi di alimentazione CA e il tubo flessibile di collegamento fra il compressore e il concentratore.

**AVVERTENZA!**

La legislazione limita la vendita di questo dispositivo a un medico o su prescrizione di un medico autorizzato dall'agenzia governativa presso la quale pratica la propria attività.

- SOLTANTO un medico autorizzato può prescrivere l'acquisto o l'uso di questo apparecchio.

2.2 Posizione delle etichette



2.3 Informazioni per il fornitore



Invacare raccomanda di lasciare presso il paziente una bombola piena di ossigeno dopo aver preparato il compressore HomeFill.

Prima di lasciare a un utilizzatore un compressore HomeFill, completare la lista di controllo seguente:

- Accertarsi che il test di pressione sulla bombola non sia scaduto.
- Controllare la sezione EMC (compatibilità elettromagnetica) per le informazioni sul funzionamento e i possibili problemi relativi alle radiofrequenze (RF). Fare riferimento alle informazioni sulla compatibilità elettromagnetica (EMC).
- Insegnare all'utilizzatore a utilizzare il concentratore in sicurezza e rivedere insieme tutte le avvertenze.
- Insegnare all'utilizzatore a utilizzare il compressore HomeFill in sicurezza e rivedere insieme tutte le avvertenze.
- Lasciare all'utilizzatore una bombola piena di ossigeno.
- Lasciare all'utilizzatore una copia di tutte le avvertenze e delle istruzioni di riempimento.

2.4 Prodotti a doppio isolamento



AVVERTENZA!

– NON tirare il cavo di alimentazione per scollegarlo dalla presa. Per scollegarlo, afferrare la spina e non il cavo al fine di evitare possibili danni.

Nei prodotti a doppio isolamento, al posto della messa a terra sono presenti due sistemi di isolamento. I prodotti a doppio isolamento non necessitano di supporti per la messa a terra né occorre aggiungere tale tipo di supporto al prodotto. I prodotti a doppio isolamento riportano la dicitura "DOUBLE INSULATION" o "DOUBLE INSULATED" (doppio isolamento) o il simbolo:



2.5 Informazioni sulla compatibilità elettromagnetica (EMC)



ATTENZIONE!

Pericolo di lesioni o danni

Per ridurre il pericolo di lesioni o di danni al prodotto causati dall'interferenza con attrezzature wireless:

- Tenere il compressore almeno a 3,0 m (9,8 ft) dai dispositivi di comunicazione wireless, quali dispositivi di rete domestica wireless, telefoni cellulari, telefoni cordless e relative stazioni base o walkie-talkie, ecc.



ATTENZIONE!

– L'utilizzo di accessori e cavi diversi da quelli specificati o forniti da Invacare può provocare un aumento delle emissioni elettromagnetiche o una ridotta immunità elettromagnetica dell'apparecchiatura e determinare un funzionamento non corretto.

Le apparecchiature elettromedicali devono essere installate e utilizzate conformemente alle informazioni sulla compatibilità elettromagnetica contenute nel presente manuale.

L'apparecchiatura è stata collaudata ed è risultata conforme ai limiti di compatibilità elettromagnetica specificati dalla norma IEC/EN 60601-1-2 per le apparecchiature di tipo BF. Questi limiti sono stati stabiliti per fornire una protezione ragionevole contro le interferenze elettromagnetiche in un tipico ambiente di assistenza sanitaria a domicilio. L'utilizzo dell'apparecchiatura in un ambiente con livelli elevati di interferenza potrebbe compromettere l'accuratezza della concentrazione di ossigeno nella bombola. La presente apparecchiatura non è destinata all'uso in un ambiente sanitario professionale.

I dispositivi di comunicazione RF portatili e mobili possono interferire con il funzionamento dell'apparecchiatura. Durante l'installazione, il compressore può essere collocato sopra un concentratore di ossigeno compatibile con Invacare HomeFill. Controllare il funzionamento del compressore per verificare il normale riempimento della bombola in qualsiasi situazione.

Altri dispositivi possono subire interferenze anche dai bassi livelli di emissioni elettromagnetiche consentiti dalla norma di cui sopra. Per determinare se l'interferenza è causata dalle emissioni del compressore, spegnere il compressore. Se cessa l'interferenza con il funzionamento degli altri dispositivi, è il compressore a causare tale interferenza. In questi rari casi, l'interferenza può essere ridotta o corretta adottando una delle misure seguenti:

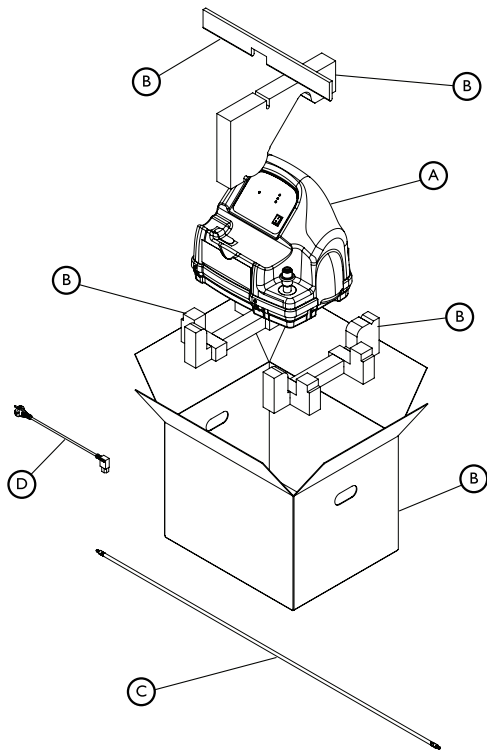
- Riposizionare o spostare i dispositivi aumentando la distanza tra essi.

- Collegare il dispositivo elettrico a un altro circuito di alimentazione elettrica.

Per ulteriori informazioni, fare riferimento alla sezione 8.4 *Compatibilità elettromagnetica (EMC)*, pagina 221

3 Messa in servizio

3.1 Disimballaggio



DESCRIZIONE	
Gruppo compressore	A
Confezione del gruppo	B
Linea di alimentazione elettrica del gruppo	C
Cavo di alimentazione	D
Manuale d'uso (non mostrato)	N/A

1. Verificare che la scatola e il relativo contenuto non abbiano subito nessun danno evidente. In presenza di danni, informare il corriere o il fornitore locale.
2. Rimuovere tutto il materiale di imballaggio dalla scatola.
3. Estrarre con cautela tutti i componenti dal cartone.



Se il compressore non deve essere usato **IMMEDIATAMENTE**, lasciarlo nella confezione fino a quando non si presenta la necessità di utilizzarlo.

3.2 Lista di controllo per la preparazione iniziale del compressore



SOLO per i fornitori — Prima di eseguire questa procedura, fare riferimento alle Informazioni per il rivenditore contenute nella sezione Sicurezza di questo manuale.



SOLO per gli utilizzatori – Contattare il proprio fornitore Invacare o direttamente Invacare per ricevere assistenza nella procedura di impostazione e per segnalare funzionamento o eventi imprevisti.

Prima di utilizzare il compressore HomeFill II per la prima volta, completare la lista di controllo seguente:

- Scegliere un'ubicazione per il compressore.
- Trasportare il compressore nell'ubicazione prescelta.
- Collegare il cavo di alimentazione al compressore.
- Collegare il compressore al concentratore.

3.3 Scelta di un'ubicazione



PERICOLO!

Rischio di morte, lesioni o danni causati dal fuoco

Prodotti tessili, olio o sostanze a base di petrolio, grasso, sostanze grasse o altri combustibili possono prendere fuoco facilmente e divampare con grande intensità in aria arricchita d'ossigeno e se entrano in contatto con ossigeno sotto pressione. Per evitare incendi, morte, lesioni o danni:

- NON FUMARE mentre si utilizza questo dispositivo.
- NON utilizzare il dispositivo in prossimità di FIAMME LIBERE o MATERIALI INFIAMMABILI
- NON utilizzare lubrificanti di nessun tipo sul compressore, a meno che non siano raccomandati da Invacare.
- I cartelli di DIVIETO DI FUMARE devono essere ben visibili.

**PERICOLO!****Rischio di morte, lesioni o danni causati dal fuoco**

Prodotti tessili, olio o sostanze a base di petrolio, grasso, sostanze grasse o altri combustibili possono prendere fuoco facilmente e divampare con grande intensità in aria arricchita d'ossigeno e se entrano in contatto con ossigeno sotto pressione. Per evitare incendi, morte, lesioni o danni:

- Evitare la formazione di scintille in prossimità del concentratore d'ossigeno. Ciò comprende scintille dovute all'elettricità statica causata da qualsiasi tipo d'attrito.
- Tenere fiammiferi, sigarette accese o altre fonti infiammabili fuori della stanza in cui si trova il compressore e lontano dal punto in cui l'ossigeno viene erogato.
- Non coprire i tubi dell'ossigeno, il cavo e il compressore con oggetti quali coperte, copriletto, cuscini o capi d'abbigliamento e tenerli lontani da superfici calde o fonti di calore come stufe, piani di cottura e apparecchiature elettriche simili.

Il compressore deve essere posto a una distanza di almeno 7,6 cm (3 poll.) da pareti, tende o mobili cos da garantire una circolazione sufficiente dell'aria e un spazio libero per il cavo di alimentazione.

Evitare di posizionare il compressore in prossimità di caloriferi, radiatori o altri erogatori d'aria calda.

NON utilizzarlo in uno sgabuzzino.

1195663-C

Il compressore deve essere collocato su una superficie rigida stabile e piana, ad esempio un tavolo o il Ready Rack.



Il Ready Rack HomeFill viene venduto separatamente ed è utilizzato per posizionare il compressore HomeFill su un concentratore di ossigeno Perfecto₂ o Platinum®. Per ulteriori informazioni, vedere il foglio di istruzioni del Ready Rack HomeFill, numeri di parte 1148363 e 1134824.

3.4 Trasporto del compressore



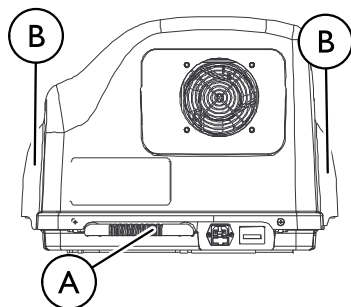
ATTENZIONE!

– Non trasportare MAI un compressore cui è ancora collegata una bombola o su cui è appoggiata una bombola; possono verificarsi lesioni o danni.



AVVERTENZA!

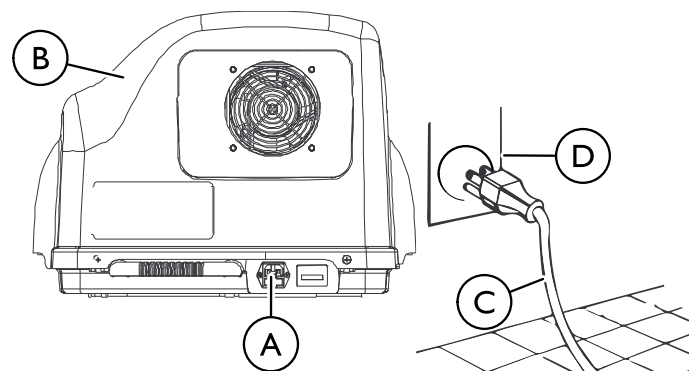
– Quando si trasporta il compressore, fare attenzione a non urtare con il compressore stesso o con i connettori contro eventuali ostacoli. In caso contrario, potrebbero verificarsi danni al compressore.



1. Esistono due metodi per trasportare il compressore in modo sicuro:
 - Con una mano - Afferrare l'impugnatura **A** in basso sul retro del compressore.

- Con due mani - Afferrare le impugnature **B** sui lati del compressore.

3.5 Installazione del cavo di alimentazione



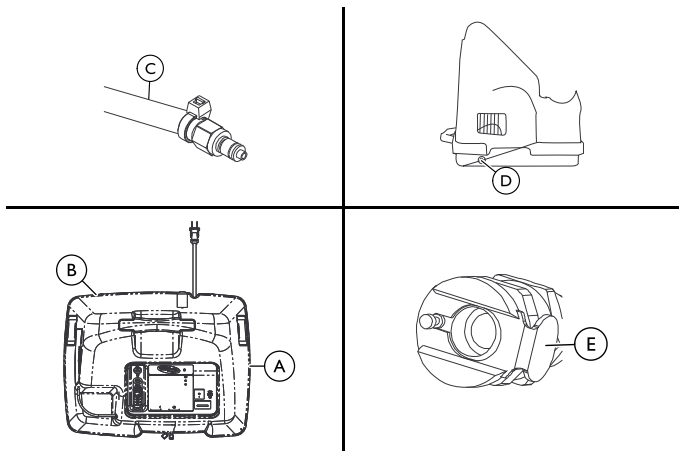
1. Scegliere un luogo adeguato. Fare riferimento a Scelta di un'ubicazione in questa sezione del manuale.
2. Accertarsi che l'interruttore sia posizionato su Off (O).
3. Collegare il cavo di alimentazione al connettore elettrico **A** sul retro del compressore **B**.
4. Inserire l'estremità opposta del cavo di alimentazione **C** nella presa a muro **D**.
5. Lasciare uno spazio minimo di 7,6 cm (3 poll.) alle estremità del cavo di alimentazione per consentire di accedervi per scollegarlo.



La presa di alimentazione funge da dispositivo di disconnessione di rete per togliere completamente l'alimentazione all'unità quando il cavo viene scollegato.

3.6 Collegamento del compressore al concentratore

3.6.1 Collegamento del compressore ai concentratori Invacare



1. Inserire un'estremità del tubo flessibile di collegamento **C** nel raccordo di uscita **B** sul retro del concentratore **A**.
2. Inserire l'estremità opposta del tubo flessibile di collegamento nel raccordo di ingresso **D** sul fianco del compressore.



Le linguette di metallo **E** presenti sul raccordo di uscita del concentratore e sul raccordo di ingresso del compressore si solleveranno con uno scatto udibile se l'estremità del tubo flessibile di collegamento è inserita correttamente.

3.6.2 Collegamento del compressore ai concentratori non Invacare

1. Fare riferimento alle specifiche sull'uscita del gas riportate nel manuale d'uso del concentratore di ossigeno per verificare la compatibilità con i requisiti del gas di ingresso del compressore HomeFill indicati nella sezione *8.3 Specifiche, pagina 220*
2. Per le istruzioni sul collegamento, fare riferimento al manuale d'uso del concentratore di ossigeno.

4 Uso

4.1 Lista di controllo del funzionamento del compressore

Ogni volta che si utilizza il compressore HomeFill II per riempire una bombola, completare la lista di controllo seguente:

- Accertarsi che il concentratore sia stato acceso (On) per almeno trenta minuti. Consultare il manuale d'uso del concentratore.
- Eseguire l'ispezione preliminare al riempimento della bombola.
- Collegare la bombola al compressore.
- Portare l'interruttore di alimentazione del compressore in posizione On (I).
- Osservare le spie luminose sul pannello di controllo.
- Scollegare e rimuovere la bombola piena.
- Portare l'interruttore di alimentazione del compressore in posizione Off (O).
- Se si intende riempire un'altra bombola, completare nuovamente questa lista di controllo.

Data della prova idrostatica

Le bombole in alluminio DEVONO essere sottoposte a un collaudo ogni dieci anni.



ATTENZIONE!

Pericolo di lesioni

Per ridurre il pericolo di lesioni:

- NON riempire bombole che non siano state testate nel corso degli ultimi dieci anni. In caso contrario, potrebbero verificarsi gravi lesioni personali. Contattare il fornitore dell'attrezzatura per la sostituzione.

Esame esterno

1. Ispezionare l'esterno della bombola per verificare che non siano presenti le seguenti condizioni, in caso contrario sostituire la bombola:
 - Ammaccature o bozzi
 - Bruciatore dovute ad archi
 - Olio o grasso
 - Eventuali altri segni di danni che potrebbero rendere una bombola inaccettabile o non sicura per l'utilizzo.
2. Esaminare la bombola per la presenza di danni termici o da incendio. Le tracce comprendono l'annerimento o la presenza di bollicine della vernice, o di altri rivestimenti protettivi o indicatori sensibili al calore. Se si riscontrano tracce di danni termici o causati dal fuoco, sostituire la bombola.
3. Ispezionare il gruppo bombola/regolatore per verificare che non siano presenti le condizioni elencate di seguito; se presenti, sostituirlo:
 - Detriti, olio o grasso
 - Segni evidenti di danni
 - Segni di corrosione all'interno della valvola
 - Segni di danni da calore eccessivo o da incendio

4.3 Collegamento della bombola al compressore



ATTENZIONE!

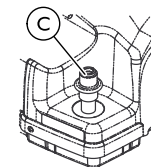
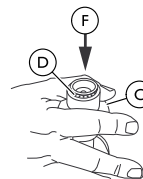
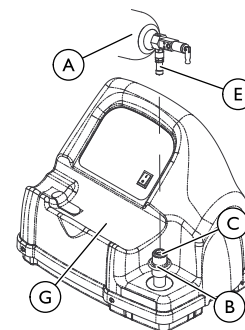
– NON utilizzare MAI utensili di alcun tipo per collegare/scollegare la bombola e il compressore. In caso contrario, potrebbero verificarsi lesioni e/o danni gravi.



ATTENZIONE!


– NON far cadere le bombole di ossigeno. Utilizzare due mani per la movimentazione e il trasporto delle bombole di ossigeno. In caso contrario, potrebbero verificarsi lesioni o danni.

– NON usare un rilevatore di fuoriuscita di liquido per testare la presenza di perdite.





I coperchi delle bocchette di riempimento non sono mostrati per maggiore chiarezza.


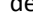

1. Prima di ogni utilizzo, verificare la presenza di danni visibili sul prodotto. Fare riferimento alla sezione Esame esterno. NON utilizzare nel caso in cui siano riscontrati danni.


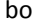

 Se per qualsiasi motivo una delle etichette dovesse diventare illeggibile o venire smarrita, rivolgersi al proprio fornitore di attrezzature.


2. Esaminare il manometro della bombola. Se la pressione della bombola è inferiore a 10.342 kPa (1.500 psig), passare al PUNTO 3.


 Per l'ubicazione del manometro della bombola, fare riferimento al manuale della bombola.
Se la pressione della bombola è **superiore** a 10.342 kPa (1.500 psig), NON tentare di riempire la bombola. Potrebbe non riempirsi.

3. Portare il selettore di flusso dell'erogatore sulla bombola  su Off. Consultare il manuale della bombola.
4. Rimuovere il coperchio della bombola e il coperchio della bocchetta di riempimento del connettore (se presenti).

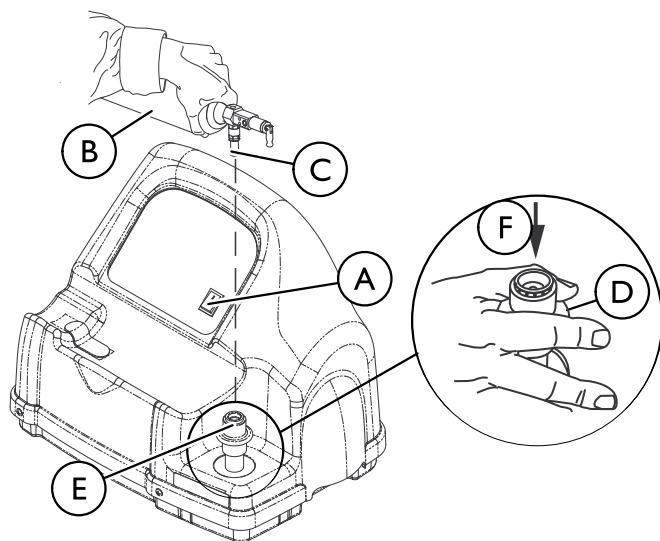
5. Premere momentaneamente verso il BASSO l'anello esterno (manicotto)  della bocchetta di riempimento del connettore  fino a rendere visibili i puntini VERDI  per ripristinare il connettore.

 Se l'anello esterno (manicotto) è in posizione sollevata (puntini VERDI non visibili), la bocchetta di riempimento del connettore non è in grado di ospitare la bocchetta di riempimento della bombola . Una pressione momentanea verso il BASSO  consente di ripristinare la bocchetta di riempimento del connettore (puntini VERDI visibili) in modo tale da poter ospitare la bocchetta di riempimento della bombola.

6. Impugnare la bombola dalla zona dietro la bocchetta di riempimento della bombola.
7. Posizionare la bombola nella base del compressore .
8. Allineare la bocchetta di riempimento della bombola alla bocchetta di riempimento del connettore.
9. Tirare verso l'ALTO l'anello esterno (manicotto) della bocchetta di riempimento del connettore e contemporaneamente spingere verso il BASSO la bombola per inserire la bocchetta di riempimento della bombola nella bocchetta di riempimento del connettore.

 La bombola è collegata correttamente quando si sente uno scatto.

4.4 Scollegamento della bombola dal compressore



3. Con l'altra mano, afferrare l'anello esterno (manicotto) della bocchetta di riempimento (E) del connettore e spingerlo verso il BASSO (F).
4. Sollevare la bombola per estrarla dalla bocchetta di riempimento del connettore.

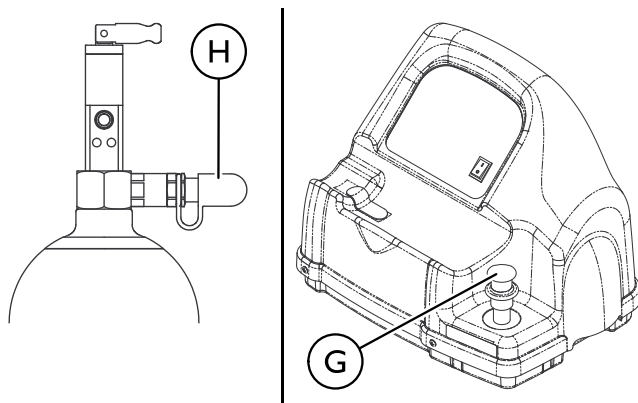


ATTENZIONE!

– NON utilizzare MAI utensili di alcun tipo per collegare/scollegare la bombola e il compressore. In caso contrario, potrebbero verificarsi lesioni e/o danni gravi.

1. Portare l'interruttore di alimentazione (A) del compressore in posizione Off (O).
2. Impugnare la bombola (B) dalla zona dietro la bocchetta di riempimento della bombola (C).

- Quando la bocchetta di riempimento della bombola è scollegata dalla bocchetta di riempimento del connettore, rilasciare l'anello esterno (manicotto) della bocchetta di riempimento del connettore e utilizzare entrambe le mani per estrarre la bombola dalla base del compressore.



ATTENZIONE!

– I coperchi delle bocchette di riempimento sulla bocchetta di riempimento del connettore e sulla bocchetta di riempimento della bombola DEVONO essere sostituiti dopo il riempimento e quando non vengono utilizzati. In caso di assenza di uno dei due coperchi delle bocchette di riempimento, contattare il proprio fornitore di prodotti medicali prima dell'uso.

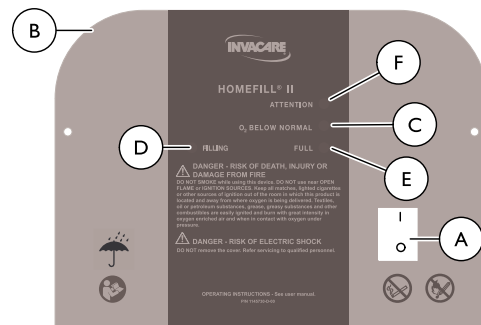
- Collocare i coperchi della bocchetta di riempimento sulla bocchetta di riempimento del connettore © e sulla bocchetta di riempimento della bombola Ⓟ.



Quando si utilizza una bombola del tipo a piantone, collegare un erogatore di ossigeno in base alle istruzioni fornite dai costruttori.

- Esaminare il manometro della bombola per accertarsi che quest'ultima sia piena (l'ago deve trovarsi nell'area VERDE). Se la bombola non è piena, effettuare le seguenti operazioni:
 - Fare riferimento a Collegamento della bombola al compressore in questa sezione del manuale.
 - Se la bombola non è piena dopo il secondo tentativo di riempimento, contattare il fornitore.

4.5 Accensione e spegnimento del compressore



- Assicurarsi che il concentratore sia acceso. Consultare il manuale d'uso del concentratore.



La portata massima del concentratore di ossigeno per l'utilizzo sui pazienti è presente nella tabella sottostante. In caso contrario, il livello di ossigeno al compressore sarà inferiore al 90% e il compressore non riempirà la bombola.

Concentratore di ossigeno	Flusso di uscita massimo per l'utilizzo sui pazienti
Modelli di 5 l	2,5 l/min
Modelli di 9 l	5 l/min



I pazienti con una prescrizione di portata maggiore non devono effettuare il rifornimento di una bombola mentre ricevono una somministrazione di ossigeno supplementare dal concentratore di ossigeno.

Se il concentratore non rientra negli intervalli elencati nella tabella, consultare il manuale d'uso o contattare il proprio fornitore.

- Impostare la portata del concentratore al paziente su una delle seguenti impostazioni. Consultare il manuale d'uso del concentratore.
 - 2,5 l/min o meno per i modelli di 5 l
 - 5 l/min o meno per i modelli di 9 l



I concentratori non Invacare potrebbero richiedere portate di uscita al paziente inferiori al fine di fornire $\geq 90\%$ ossigeno al compressore HomeFill.

- Accertarsi che la bombola sia collegata al compressore. Fare riferimento a Collegamento della bombola al compressore in questa sezione del manuale.
- Portare l'interruttore di alimentazione (A) presente sul pannello di controllo in posizione On (I).
- Esaminare il pannello di controllo (B). Si dovrebbe verificare la seguente sequenza di eventi:
 - 0-3 minuti - La spia O₂ insufficiente (GIALLA) (C) si accende quando il compressore è in fase di riscaldamento.
 - Dopo tre minuti - La spia di riempimento in corso (VERDE) (D) si accende mentre la bombola si riempie.
 - La spia di bombola piena (VERDE) (E) si accende quando il riempimento della bombola è terminato. Procedere al PUNTO 6.



La spia O₂ insufficiente (GIALLA) potrebbe accendersi se il livello di ossigeno dal concentratore non ha ancora raggiunto il 90% o se scende al di sotto di tale percentuale. Il compressore avvia o riprende il riempimento quando il livello di ossigeno raggiunge il 90%. Se la spia non si spegne entro 10 minuti, fare riferimento a Guida alla soluzione dei problemi in questo manuale.

Se la spia di attenzione (ROSSA) è accesa e se viene emesso un allarme (F), fare riferimento a Guida alla soluzione dei problemi in questo manuale.

6. Rimuovere la bombola piena. Fare riferimento a Scollegamento della bombola dal compressore in questa sezione del manuale.
7. Portare l'interruttore di alimentazione in posizione Off (O).



Per il funzionamento e l'uso della bombola, consultare il manuale d'uso specifico del gruppo bombola/regolatore.

5 Manutenzione

5.1 Informazioni di manutenzione



PERICOLO!

Rischio di scosse elettriche

Questa unità contiene componenti in movimento e ad alta pressione. All'interno del coperchio non sono presenti parti riparabili dall'utente. Per evitare scosse elettriche, lesioni o decessi:

- NON rimuovere il coperchio.
- Per la manutenzione, rivolgersi a personale qualificato.



ATTENZIONE!

- L'operatore deve effettuare solo le parti e le procedure identificate in questa sezione. Tutte le altre parti e procedure devono essere eseguite da un tecnico qualificato.

5.2 Consumo e usura

Invacare si riserva il diritto di richiedere la restituzione di qualsiasi elemento con presunti difetti di lavorazione. Per informazioni specifiche sulla garanzia, vedere il documento di garanzia riportato in questo manuale.

Per informazioni sul programma di manutenzione preventiva appropriato e sull'uso del prodotto, fare riferimento alle procedure riportate in questo Manuale d'uso.

Queste sono solo linee guida generali e non includono gli elementi danneggiati a causa di abuso o uso improprio. La durata utile varia in base a molti fattori.

Di seguito sono elencati gli elementi e i componenti di questo prodotto soggetti a normale consumo e usura:

- Tutti i tipi di filtri
- Tutti i tipi di tubazioni

5.3 Durata

La durata prevista per questo prodotto è di 5 anni o 5000 ore di esercizio, a condizione che sia utilizzato in conformità alle istruzioni di sicurezza e per la cura del prodotto e che siano rispettati gli intervalli di manutenzione indicati in questo manuale. La durata effettiva può variare a seconda della frequenza e dell'intensità d'uso. La manutenzione dovrebbe essere effettuata con cadenza almeno settimanale.

5.4 Pulizia del filtro del compressore




ATTENZIONE!

- Portare l'interruttore di alimentazione in posizione Off (O) e staccare il compressore dalla presa di corrente prima di effettuare la pulizia.
- NON azionare il compressore se non è presente il filtro.

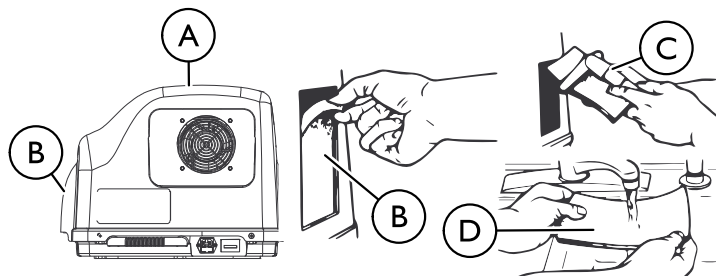


AVVERTENZA!

- NON tirare il cavo di alimentazione per scollegarlo dalla presa. Per scollegarlo, afferrare la spina e non il cavo al fine di evitare possibili danni.

 Tutti i compressori sono dotati di un filtro sul retro dell'alloggiamento.

Eseguire questa procedura almeno una volta alla settimana.



1. Scollegare il compressore **A**. Afferrare la spina, non il cavo.
2. Rimuovere il filtro **B**.
3. Pulire il filtro con un aspirapolvere **C** oppure lavarlo in acqua saponata calda e sciacquarlo accuratamente **D**.
4. Asciugare completamente il filtro prima di rimontarlo.

5.5 Pulizia dell'alloggiamento



PERICOLO!

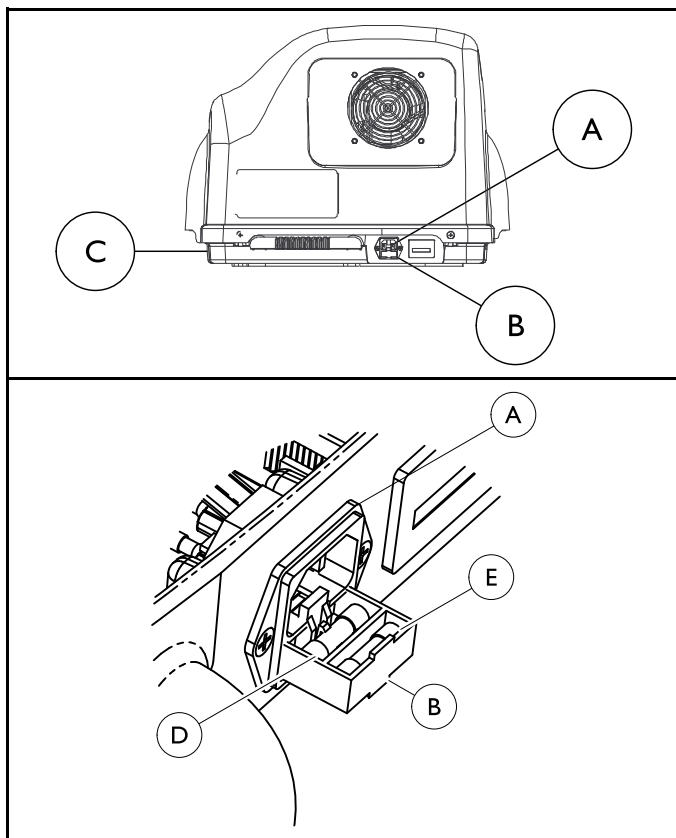
Rischio di scosse elettriche

Questa unità contiene componenti in movimento e ad alta pressione. All'interno del coperchio non sono presenti parti riparabili dall'utente. Per evitare scosse elettriche, lesioni o decessi:

- NON rimuovere il coperchio.
- Per la manutenzione, rivolgersi a personale qualificato.

1. Pulire l'alloggiamento con del detergente delicato e un panno o una spugna non abrasivi.

5.6 Sostituzione del fusibile



1. Scollegare il cavo di alimentazione dalla presa elettrica.
2. Rimuovere il cavo di alimentazione dalla presa di alimentazione **A** sulla base del compressore **C**.

1195663-C

3. Estrarre il cassetto dei fusibili **B** ubicato nella parte inferiore della presa di alimentazione.
4. Rimuovere il fusibile anteriore all'interno del cassetto dei fusibili e buttarlo utilizzando un estraattore di fusibili o un piccolo cacciavite a lama piatta.

i Il cassetto dei fusibili contiene lo spazio per due fusibili. La posizione anteriore è prevista per il fusibile operativo. L'unità viene fornita con solo il fusibile anteriore. La posizione posteriore è prevista per un fusibile di ricambio facoltativo. Quando si sostituisce il fusibile anteriore, assicurarsi che ci sia un fusibile di ricambio dello stesso tipo e con le stesse caratteristiche nel cassetto dei fusibili.

5. Installare il fusibile di ricambio nella fessura del fusibile anteriore **D**.

i Utilizzare esclusivamente fusibili da 5 mm x 20 mm, ritardati, a basso potere di interruzione, 250 V, 2 A, IEC 60127 (numero di parte Invacare 1099820).

6. Spingere il cassetto dei fusibili nuovamente nella presa di alimentazione.
7. Inserire il cavo di alimentazione nella presa di alimentazione sulla base del compressore.
8. Inserire il cavo di alimentazione nella presa elettrica.
9. Portare l'interruttore di alimentazione in posizione On **(I)** e assicurarsi che l'unità si accenda correttamente.
10. Se l'unità non si accende, spegnere l'interruttore di alimentazione, scollegare il cavo di alimentazione e contattare il rivenditore, il fornitore o Invacare per la riparazione.

6 Dopo l'utilizzo

6.1 Smaltimento

Questo prodotto è stato fornito da un produttore consapevole dell'impatto ambientale e nel rispetto della direttiva 2012/19/UE sui rifiuti di apparecchiature elettriche ed elettroniche (RAEE).

Il prodotto può contenere sostanze potenzialmente pericolose per l'ambiente se smaltite in luoghi (discariche) non conformi alla normativa in vigore.

Il simbolo del bidone dei rifiuti barrato con una X è presente sul prodotto per promuoverne il riciclo, se possibile.

Rispettare le ordinanze locali e i piani di riciclaggio che regolamentano lo smaltimento del dispositivo o dei componenti normalmente utilizzati per il funzionamento. Il dispositivo non genera rifiuti o residui durante il funzionamento. NON smaltire il dispositivo secondo il normale ciclo dei rifiuti domestici. Tutti gli accessori che non fanno parte del dispositivo DEVONO essere trattati in conformità con il contrassegno relativo allo smaltimento di ogni singolo prodotto.

Si prega di rispettare l'ambiente e di riciclare il presente prodotto al termine del suo utilizzo. Per informazioni sul riciclaggio del prodotto contattare Invacare o il fornitore di servizio.

7 Guida alla soluzione dei problemi

7.1 Spie

Colore della spia luminosa	Stato del compressore	Effetto
Nessuno	Il compressore è spento.	Flusso di O ₂ all'utilizzatore se il concentratore è acceso.
O ₂ INSUFFICIENTE - SPIA GIALLA	Il compressore è acceso e si sta riscaldando (0-3 minuti dopo l'accensione).	Il riempimento della bombola non è ancora iniziato.
		Flusso di O ₂ all'utilizzatore se il concentratore è acceso.
	Flusso di O ₂ dal concentratore < 90% (in qualsiasi momento dopo i tre minuti di riscaldamento).	Il riempimento della bombola viene interrotto, riprenderà quando l'O ₂ > 90%.
		Flusso di O ₂ all'utilizzatore se il concentratore è acceso.
RIEMPIMENTO IN CORSO - SPIA VERDE	Il compressore è acceso e la bombola si sta riempiendo. Flusso di O ₂ dal concentratore >90% (in qualsiasi momento dopo i tre minuti di riscaldamento).	La bombola si sta riempiendo.
		Flusso di O ₂ all'utilizzatore se il concentratore è acceso.

Colore della spia luminosa	Stato del compressore	Effetto
<p>PIENA - SPIA VERDE</p>	<p>Il compressore è acceso. Il riempimento della bombola è terminato (bombola piena) - Rimuovere la bombola (la spia di BOMBOLA PIENA si accende dopo oltre 10 min)</p> <p>oppure</p> <p>La bombola non è collegata correttamente - Controllare il collegamento (la spia di BOMBOLA PIENA si accende entro 10 min).</p>	<p>Il riempimento della bombola viene interrotto.</p> <p>Impossibile riempire un'altra bombola se il compressore non viene spento e riacceso.</p> <p>Flusso di O₂ all'utilizzatore se il concentratore è acceso.</p>
<p>ATTENZIONE - SPIA ROSSA (allarme sonoro)</p>	<p>Il compressore è acceso. La bombola NON si riempie. Cause:</p> <p>All'accensione dell'unità era ancora collegata una bombola piena - Sostituirla con una bombola vuota</p> <p>oppure</p> <p>Errore interno - Contattare il rivenditore.</p>	<p>Il compressore non inizia a riempire o interrompe il riempimento.</p> <p>L'unità deve essere spenta e riaccesa prima di poter procedere al riempimento.</p> <p>Flusso di O₂ all'utilizzatore se il concentratore è acceso.</p>


7.2 Guida alla soluzione dei problemi

Problema	Soluzione
Quando il compressore viene acceso non si accende alcuna spia luminosa.	<ol style="list-style-type: none"> 1. Spegner il compressore (O). 2. Controllare che il cavo di alimentazione sia inserito correttamente nel compressore e nella presa a muro. 3. Accendere il compressore (I). 4. Pulire i filtri dell'aria. Fare riferimento a Pulizia del filtro del compressore nella sezione Manutenzione del manuale. 5. Se, nonostante l'esecuzione dei punti da 1-4, non si accende alcuna spia luminosa, contattare il proprio fornitore di apparecchiature per la cura a domicilio o il servizio assistenza di Invacare.
Spia ROSSA accesa	<ol style="list-style-type: none"> 1. Controllare il manometro della bombola per verificare se è piena: <ul style="list-style-type: none"> • Bombola piena - Rimuovere la bombola e spegnere l'unità. Eseguire il Controllo della bombola prima del riempimento indicato nella sezione Uso riportata nel manuale con una bombola non piena. • Bombola non piena - Passare al Punto 2. 2. Controllare che la bombola sia collegata correttamente. <ul style="list-style-type: none"> • Spegner il compressore (O). • Rimuovere la bombola e rimontarla. • Accendere il compressore (I). Se la bombola non è piena ed è collegata correttamente, è possibile che si sia verificato un errore interno del compressore. Contattare il proprio fornitore di apparecchiature per la cura a domicilio o Invacare.

Problema	Soluzione
<p>Il compressore passa da acceso a spento e viceversa oppure</p> <p>Le spie O₂ insufficiente (gialla) e riempimento in corso (verde) si alternano oppure</p> <p>La spia O₂ insufficiente (gialla) si accende e si spegne</p>	<ol style="list-style-type: none"> 1. Verificare che l'impostazione del concentratore sia uguale o inferiore all'impostazione del flusso elencato nella sezione 4.5 <i>Accensione e spegnimento del compressore, pagina 206</i>. Se necessario, modificare l'impostazione (consultare il manuale d'uso del concentratore). Attendere almeno 20 minuti che la spia VERDE si accenda. Se non si accende, passare al punto 2. 2. Il concentratore potrebbe avere bisogno di assistenza da parte di un tecnico; contattare il fornitore di apparecchiature per la cura a domicilio o Invacare.
<p>La spia O₂ insufficiente (GIALLA) rimane accesa</p>	<ol style="list-style-type: none"> 1. Accertarsi che il concentratore si sia riscaldato per almeno 20 minuti. Se non è così, spegnere il compressore finché il concentratore non si riscalda. Se la spia GIALLA resta accesa, passare al punto 2. 2. Ispezionare il tubo di collegamento fra il compressore e il concentratore per verificare se ci sono danni o strozzature. <ul style="list-style-type: none"> • Se è danneggiata, sostituirla. • Se è piegato, raddrizzarlo. Spegnere il compressore (O) per almeno 10 secondi. Accendere il compressore (I). Se la spia GIALLA resta accesa dopo 10 minuti, passare al punto 3. 3. Il concentratore potrebbe avere bisogno di assistenza da parte di un tecnico; contattare il fornitore di apparecchiature per la cura a domicilio o Invacare.

Problema	Soluzione
<p>I tempi di riempimento superano il limite massimo raccomandato OPPURE la spia VERDE di riempimento in corso resta accesa.</p>	<ol style="list-style-type: none"> 1. Accertarsi che il regolatore della bombola sia impostato su Off (O). 2. Consultare la tabella dei tempi di riempimento raccomandati riportata nel manuale della bombola. 3. Controllare che la bombola sia collegata correttamente. Spegnerne il compressore (O). Rimuovere la bombola e rimontarla. Accendere il compressore (I). 4. Controllare che il collegamento compressore/concentratore sia stato effettuato correttamente e/o non sia danneggiato, ovvero che non presenti perdite o strozzature. 5. Verificare che l'impostazione del concentratore sia uguale o inferiore all'impostazione del flusso elencato nella sezione <i>4.5 Accensione e spegnimento del compressore, pagina 206</i>. Se necessario, modificare l'impostazione (consultare il manuale d'uso del concentratore). Se la spia VERDE di riempimento in corso non si spegne, è possibile che il compressore e/o il concentratore necessitino dell'intervento di un tecnico. Contattare il proprio fornitore di apparecchiature per la cura a domicilio o Invacare.
<p>Compressore troppo rumoroso quando è acceso</p>	<ol style="list-style-type: none"> 1. Contattare il fornitore di apparecchiature per la cura a domicilio o Invacare per assistenza.

Problema	Soluzione
Il regolatore emette un sibilo quando il selettore di flusso è spento	<ol style="list-style-type: none"> 1. Spegnere il selettore di flusso. 2. Se i sibili continuano, contattare il fornitore di apparecchiature per la cura a domicilio o Invacare.
Il regolatore è acceso, ma non viene erogato O ₂	<ol style="list-style-type: none"> 1. Riempire la bombola 2. Controllare che la cannula sia diritta e non presenti strozzature. Se è danneggiata, sostituirla. 3. Contattare il fornitore di apparecchiature per la cura a domicilio o Invacare per assistenza.

 Per i tempi di riempimento corretti, fare riferimento al manuale della bombola.

I tempi di riempimento sono indicativi e possono variare in base alle condizioni ambientali.

8 Dati Tecnici

8.1 Descrizione tecnica

Il sistema di rifornimento di ossigeno HomeFill II (IOH200AW) è un sistema di prescrizione elettromeccanico per uso domiciliare. Esso ha lo scopo e la funzione di fornire ossigeno pressurizzato per il riempimento di bombole di gas proprietarie Invacare portatili mentre il paziente riceve ossigeno terapeutico da un concentratore di ossigeno accessorio. Il sistema a gas IOH200AW è progettato per essere utilizzato con concentratori di ossigeno che soddisfino le specifiche di ingresso relative a purezza dell'ossigeno, flusso e pressione.

Il sistema di rifornimento di ossigeno HomeFill II consta di un compressore di gas IOH200AW, dei tubi di connessione e delle bombole di gas portatili fornite da Invacare con regolatore di flusso integrale e raccordo di riempimento interdipendente.

Il compressore IOH200AW comprende compressore multistadio, serbatoio interno, strumentazione elettronica di controllo con sensore della concentrazione di ossigeno integrale, raccordo di riempimento interdipendente, raccordo di ingresso e motore di traslazione. Il funzionamento del compressore è controllato dalla strumentazione elettronica. Il motore/compressore può riempire una bombola soltanto quando la concentrazione di ossigeno del flusso di gas in entrata è maggiore di 90% e la pressione della bombola non è superiore a 10342 kPa (1500 PSI). L'operazione di riempimento del motore/compressore può considerarsi terminata quando il gas all'interno della bombola raggiunge la pressione di riempimento massima di 13786 kPa (2000 PSI)

1195663-C

Il compressore IOH200AW viene utilizzato per il riempimento di bombole portatili destinate a pazienti ambulatoriali. Le bombole di gas portatili di Invacare sono dotate di un raccordo di riempimento interdipendente utilizzabile esclusivamente con il gruppo compressore IOH200AW Invacare. La bombola di gas comprende anche un regolatore di flusso integrale con impostazioni di flusso fisse e selezionabili.

8.2 Tempi di riempimento della bombola

TEMPI DI RIEMPIMENTO DELLA BOMBOLA	Portata del concentratore al paziente:	
	Modelli di 5 l fino a 2,5 l/min.	
	Modelli di 9 l fino a 5 l/min.	
	HF2PCE9A	HF2PCE6
NORMALE	2 ore e 20 min	1 ora e 25 min
MASSIMA	2 ore e 45 min	1 ora e 50 min



I tempi di riempimento tipici presuppongono che siano soddisfatti i requisiti di ingresso.

I tempi di riempimento possono variare in base alle condizioni ambientali.

8.3 Specifiche

Norme

Norme:	EN/IEC 60601-1
	EN/IEC 60601-1-2

Specifiche di ingresso

Pressione di ingresso necessaria:	5 – 25 psi (34,5 – 172,4 kPa)
Flusso di ingresso necessario:	2 l/min
Purezza dell'ossigeno di ingresso:	>90% O ₂

Specifiche generali

Tensioni elettriche:	230 V~, 1,0 A, 50 Hz
Condizioni ambientali di funzionamento:	da 5 °C a 40 °C (da 41 °F a 104 °F) dal 15 al 60 % di umidità non condensante
Pressione atmosferica:	da 700 a 1060 hPa
Immagazzinamento e trasporto:	da -23 °C a 70 °C (da -25 °F a 158 °F) dal 15% al 95% di umidità non condensante.
Larghezza:	51,44 cm (20,25")
Altezza:	38,1 cm (15")
Profondità:	40,64 cm (16")

Peso:	14,97 kg (33 lb)
Peso spedizione:	17,69 kg (39 lb)

8.4 Compatibilità elettromagnetica (EMC)

Guida e dichiarazione del produttore – emissioni elettromagnetiche

Il dispositivo può essere usato nell'ambiente elettromagnetico specificato qui di seguito. Il cliente o l'utilizzatore del dispositivo deve assicurarsi che venga usato in un ambiente di tal tipo.


Test di emissioni	Conformità	Ambiente elettromagnetico - guida
Emissioni RF CISPR 11	Gruppo I	Il dispositivo utilizza energia RF solo per il suo funzionamento interno. Pertanto, le sue emissioni RF sono molto basse e non tali da causare interferenze nei dispositivi elettronici vicini.
Emissioni RF CISPR 11	Classe B	Il dispositivo è idoneo all'uso in qualsiasi struttura, comprese quelle domiciliari e quelle collegate direttamente alla rete di alimentazione elettrica pubblica a bassa tensione che serve gli edifici ad uso civile.
Emissioni armoniche IEC 61000-3-2	Classe A	
Oscillazioni di tensione / emissioni di sfarfallamento (flicker) IEC 61000-3-3	Conforme	

Guida e dichiarazione del produttore – immunità elettromagnetica

Il dispositivo può essere usato nell'ambiente elettromagnetico specificato qui di seguito. Il cliente o l'utilizzatore del dispositivo deve assicurarsi che venga usato in un ambiente di tal tipo.

Test di immunità	Livello di test IEC 60601	Livello di conformità	Ambiente elettromagnetico - guida
Scariche elettrostatiche (ESD) IEC 61000-4-2	± 2, 4, 8 kV contatto ± 2, 4, 8, 15 kV aria	± 2, 4, 8 kV contatto ± 2, 4, 8, 15 kV aria	I pavimenti devono essere in legno, cemento o piastrelle di ceramica. Se i pavimenti sono rivestiti da materiale sintetico, l'umidità relativa deve essere di almeno il 30%.
Transitore elettrico veloce / burst IEC 61000-4-4	± 2 kV alimentazione, 100 kHz	± 2 kV alimentazione, 100 kHz	La qualità della connessione elettrica deve essere quella di un tipico ambiente commerciale od ospedaliero.
Sbalzi di tensione IEC 61000-4-5	± 1 kV da linea(-e) a linea(-e) ± 2 kV da linea/e a massa	± 1 kV da linea(-e) a linea(-e) ± 2 kV da linea/e a massa	La qualità della connessione elettrica deve essere quella di un tipico ambiente commerciale od ospedaliero.
Vuoti di tensione IEC 61000-4-11	0% U_T ; 1/2 ciclo a 0°, 45°, 90°, 135°, 180°, 225°, 270° e 315° e 0% U_T ; 1 ciclo e 70% U_T ; 25/30 cicli singola fase: a 0°	0% U_T ; 1/2 ciclo a 0, 45, 90, 135, 180, 225, 270 e 315 e 0% U_T ; 1 ciclo e 70% U_T ; 25/30 cicli singola fase: a 0°	La qualità della connessione elettrica deve essere quella di un tipico ambiente commerciale od ospedaliero. Se l'utilizzatore del dispositivo avesse bisogno di un funzionamento continuo durante le interruzioni di corrente elettrica, si consiglia di alimentare il dispositivo tramite un gruppo di continuità o una batteria. U_T è la tensione di alimentazione c.a. prima dell'esecuzione del livello di prova.

<p>Interruzioni della tensione IEC 61000-4-11</p>	<p>0% U_T ; 250/300 ciclo</p>	<p>0% U_T ; 250/300 ciclo</p>	<p>La qualità della connessione elettrica deve essere quella di un tipico ambiente commerciale od ospedaliero. Se l'utilizzatore del dispositivo avesse bisogno di un funzionamento continuo durante le interruzioni di corrente elettrica, si consiglia di alimentare il dispositivo tramite un gruppo di continuità o una batteria.</p> <p>U_T è la tensione di alimentazione c.a. prima dell'esecuzione del livello di prova.</p>
<p>Campi magnetici alla frequenza di rete (50/60 Hz) IEC 61000-4-8</p>	<p>30 A/m, 50/60 Hz</p>	<p>30 A/m, 50/60 Hz</p>	<p>I campi magnetici della frequenza di rete devono essere a livelli caratteristici di un tipico ambiente commerciale od ospedaliero.</p>

<p>RF condotta IEC 61000-4-6</p>	<p>3 Vrms, 6 Vrms</p>	<p>3 Vrms, 6 Vrms</p>	<p>I dispositivi di comunicazione RF portatili e mobili, inclusi i cavi, non devono essere usati a una distanza da qualsiasi parte del dispositivo che sia minore della distanza consigliata, calcolata in base all'equazione applicabile alla frequenza del trasmettitore.</p> <p>Distanza consigliata:</p> <p>$d = 1,2\sqrt{P}$ da 150 kHz a 80 MHz</p>
<p>RF irradiata IEC 61000-4-3</p>	<p>10 V/m</p>	<p>10 V/m</p>	<p>$d = 0,35\sqrt{P}$ 80 MHz - 800 MHz $d = 0,7\sqrt{P}$ 800 MHz - 2,5 GHz</p> <p>dove P è la potenza nominale massima di uscita del trasmettitore in watt (W) secondo il fabbricante del trasmettitore stesso e d è la distanza consigliata in metri (m).</p> <p>L'intensità di campo proveniente dai trasmettitori RF fissi, stabilita da un'indagine elettromagnetica in sito,^a deve essere inferiore al livello di conformità in ogni gamma di frequenza.^b</p> <p>Possono verificarsi interferenze nelle vicinanze dei dispositivi contrassegnati dal seguente simbolo:</p> 

^a In linea teorica non è possibile prevedere con precisione l'intensità di campo dei trasmettitori fissi, quali stazioni base per radio, telefoni (cellulari/cordless) e radiocomunicazioni sul campo (land mobile radio), radioamatori, trasmissioni radio AM ed FM e

trasmissioni TV. Per valutare l'ambiente elettromagnetico dovuto ai trasmettitori RF fissi va presa in considerazione la necessità di un'indagine elettromagnetica in sito. Se l'intensità di campo misurata nella zona in cui viene usato tale dispositivo supera il suddetto livello di conformità RF applicabile, controllare che il dispositivo funzioni normalmente. In caso di funzionamento anomalo, saranno necessarie misure aggiuntive, come un nuovo orientamento o una risistemazione del dispositivo.

^b Oltre la gamma di frequenza che va da 150 kHz a 80 MHz, l'intensità di campo deve essere inferiore a [V1] V/m.

A 80 MHz e 800 MHz viene applicata la gamma di frequenza più alta.

Distanze consigliate tra dispositivi di comunicazione RF portatili e mobili e il dispositivo

Il dispositivo deve essere utilizzato in un ambiente elettromagnetico in cui i disturbi RF irradiati vengano controllati. Il cliente o l'utilizzatore del dispositivo può evitare le interferenze elettromagnetiche mantenendo una distanza minima tra dispositivi di comunicazione RF portatili e mobili (trasmettitori) e il dispositivo come consigliato qui di seguito, secondo la potenza di output massima dei dispositivi di comunicazione

Potenza di uscita nominale massima del trasmettitore [W]	Distanza a seconda della frequenza del trasmettitore [m]		
	da 150 kHz a 80 MHz d = 1,2VP	80 MHz - 800 MHz d = 0,35VP	800 MHz - 2,5 GHz d = 0,7VP
0,01	0,12	0,04	0,07
0,1	0,37	0,11	0,22
1	1,17	0,35	0,70
10	3,69	1,11	2,21
100	11,67	3,50	7,00

Per i trasmettitori con potenza di uscita nominale massima non elencata qui sopra, la distanza consigliata d in metri (m) può essere calcolata usando l'equazione applicabile alla frequenza del trasmettitore, dove P è la massima potenza nominale di uscita del trasmettitore in watt (W) secondo il fabbricante del trasmettitore.

A 80 MHz e 800 MHz si applica la distanza per la gamma di frequenza più alta.



Queste indicazioni possono non essere valide in tutte le situazioni. La propagazione elettromagnetica è pregiudicata dall'assorbimento e dalla riflessione di strutture, oggetti e persone.

Inhoudsopgave

Deze handleiding dient te worden overhandigd aan de gebruiker van het product. Lees deze handleiding VÓÓR u het product gebruikt en bewaar hem voor eventuele raadplegingen in de toekomst.

1 Algemeen	.228
1.1 Symbolen	.228
1.2 Beoogd gebruik	.230
1.3 Indicaties voor gebruik	.231
1.4 Reserveonderdelen	.231
1.5 Contra-indicaties	.231
1.6 Garantie	.231
2 Veiligheid	.232
2.1 Algemene richtlijnen	.232
2.2 Locatie van de labels	.237
2.3 Informatie over de leverancier	.238
2.4 Dubbel geïsoleerde producten	.238
2.5 EMC-informatie	.238
3 Montage	.240
3.1 Uitpakken	.240
3.2 Checklist beginopstelling compressor	.240
3.3 Een locatie kiezen	.241
3.4 De compressor vervoeren	.242
3.5 Het netsnoer aansluiten	.243
3.6 De compressor aansluiten op de concentrator	.243
3.6.1 De compressor aansluiten op een Invacare-concentrator	.243
3.6.2 De compressor aansluiten op een niet-Invacare-concentrator	.244
4 Gebruik	.245
4.1 Checklist compressorwerking	.245
4.2 Cilinderinspectie vóór vullen	.246
4.3 De cilinder aansluiten op de compressor	.248

4.4 De cilinder loskoppelen van de compressor	.249
4.5 De compressor in- en uitschakelen	.251
5 Onderhoud	.253
5.1 Onderhoudsinformatie	.253
5.2 Slijtage	.253
5.3 Levensduur	.253
5.4 De compressorfilter reinigen	.253
5.5 De kast reinigen	.254
5.6 De zekering vervangen	.255
6 Na gebruik	.256
6.1 Afvoeren	.256
7 Problemen oplossen	.257
7.1 Indicatorlampjes	.257
7.2 Problemen oplossen	.259
8 Technische Specificaties	.263
8.1 Technische omschrijving	.263
8.2 Vultijden cilinders	.263
8.3 Specificaties	.264
8.4 Elektromagnetische compatibiliteit (EMC)	.265

1 Algemeen

1.1 Symbolen

Symbolen in de handleiding

In deze handleiding worden symbolen gebruikt die van toepassing zijn op gevaren of onveilige handelingen die kunnen leiden tot persoonlijk letsel of schade aan eigendommen. Zie de onderstaande informatie voor de definities van de symbolen.



GEVAAR!

– Gevaar duidt op een situatie die direct gevaar oplevert en die, indien deze niet wordt vermeden, fataal is of leidt tot ernstig letsel.



WAARSCHUWING!

– Een waarschuwing duidt op een mogelijk gevaarlijke situatie die, indien deze niet wordt vermeden, kan leiden tot overlijden of ernstig letsel.



LET OP!

– De aanduiding 'Voorzichtig' duidt op een mogelijk gevaarlijke situatie die, indien deze niet wordt vermeden, kan leiden tot schade aan eigendommen en/of licht letsel.



BELANGRIJK

– Duidt op een gevaarlijke situatie die kan leiden tot schade aan eigendommen als de situatie niet wordt vermeden.



Nuttige tips, adviezen en informatie voor een efficiënt, probleemloos gebruik.

Symbolen op het product

De volgende symbolen zijn te vinden op de compressor, de verpakking van de compressor of de zuurstofcilinder.



Lees de handleiding (compressor)



De kleur van de achtergrond van de symbolen is blauw op de productlabels.



Lees de handleiding (cilinder)



Elektrisch gevaar



Wisselstroomspanning



Apparatuur van type BF - toegepaste onderdelen



Schakelaar "AAN"



Schakelaar "UIT"



Roken is NIET toegestaan



Geen open vuur



Klasse II, dubbele isolatie. Raadpleeg 'Dubbel geïsoleerde producten' het gedeelte over veiligheid in deze handleiding.



Droog bewaren tijdens transport, opslag en gebruik

IP21

Beschermd tegen het binnendringen van vaste vreemde voorwerpen van 12,5 mm diameter en groter.

Beschermd tegen verticaal vallende waterdruppels.



Zekering



Oxidator



De kleur van de achtergrond van de symbolen is geel op de productlabels.



Niet-ontvlambaar gas, klasse 2 (zuurstof)



De kleur van de achtergrond van de symbolen is groen op de productlabels.



Temperatuur tijdens transport en opslag



Vochtigheid tijdens transport en opslag



Dit product recycleren. Raadpleeg 'Apparatuur en accessoires tot afval verwerken' in het gedeelte 'Na gebruik' in deze handleiding.



Voldoet aan de toepasselijke EU-richtlijnen, waaronder de Richtlijn medische hulpmiddelen (93/42/EEG)



Geautoriseerde vertegenwoordiger binnen de Europese Gemeenschap



Fabrikant

1.2 Beoogd gebruik

De HomeFill-compressor van Invacare werd ontworpen voor uitsluitend gebruik met Invacare-zuurstofconcentrators die voldoen aan de in 8.3 *Specificaties, pagina 264* opgegeven invoerwaarden.

Gebruik de HomeFill II-compressor van Invacare NIET met iets anders dan een Invacare-zuurstofconcentrator die voldoet aan de vereiste invoerwaarden.

De HomeFill-compressor van Invacare kan in combinatie met een zuurstofconcentrator worden gebruikt en zorgt ervoor dat de patiënt zijn of haar draagbare zuurstofcilinders zelf voor persoonlijk gebruik kan bijvullen.

Dit product is uitsluitend bedoeld voor gebruik binnenshuis door één patiënt en mag niet worden gebruikt om meerdere cilinders bij te vullen.

Voor het gebruik van dit product is geen specifieke productkennis vereist, behalve hetgeen wordt beschreven in deze handleiding.

Het product mag niet worden gebruikt om zuurstof toe te dienen tijdens het bijvullen.

Dit product mag alleen worden gebruikt door, of onder toezicht van een volwassene en nadat u de instructies en waarschuwingen in deze gebruikershandleiding hebt gelezen en begrepen.



WAARSCHUWING!

- Dit apparaat mag uitsluitend worden gebruikt om de eigen zuurstofcilinders van een specifieke patiënt opnieuw te vullen. De betreffende cilinders mogen ALLEEN worden gebruikt door specifieke patiënten die zuurstof nodig hebben en mogen niet voor enig ander doel aan andere personen worden verstrekt.
- Dit apparaat is niet bedoeld voor enige andere vorm van gebruik.

1.3 Indicaties voor gebruik

Geïndiceerd voor persoonlijk gebruik door patiënten bij het vullen van hun eigen draagbare zuurstofcilinder.

1.4 Reserveonderdelen

De volgende vervangende onderdelen zijn verkrijgbaar bij Invacare:

- Toevoerkabel, onderdeelnummer 1105177
- Netsnoer, onderdeelnummer 1085605



Deze onderdelen zijn basismodellen. Neem voor landspecifieke onderdeelnummers contact op met Invacare of met uw leverancier.

1.5 Contra-indicaties

Er zijn geen contra-indicaties bekend.

1.6 Garantie

De garantievoorzwaarden maken deel uit van de algemene voorwaarden die gelden voor het land waarin het product wordt verkocht.

2 Veiligheid

2.1 Algemene richtlijnen



GEVAAR!

Risico op schade, lichamelijk letsel en overlijden

Verkeerd gebruik van het product kan leiden tot schade, lichamelijk letsel of overlijden. Deze sectie bevat belangrijke informatie over het veilig hanteren en gebruiken van dit product.

- Gebruik dit product of de beschikbare optionele apparatuur **ALLEEN** wanneer u deze instructies en het eventuele aanvullende instructiemateriaal volledig hebt doorgelezen en begrepen, zoals gebruikershandleidingen, servicehandleidingen of instructiebladen die bij dit product of de optionele apparatuur worden verstrekt.
- Als u de waarschuwingen, Voorzichtig-aanwijzingen of instructies niet begrijpt, neemt u contact op met een professionele zorgverlener, leverancier of technisch medewerker voordat u dit apparaat gaat gebruiken.



GEVAAR!

Risico op schade, lichamelijk letsel en overlijden

Verkeerd gebruik van het product kan leiden tot schade, lichamelijk letsel of overlijden. Deze sectie bevat belangrijke informatie over het veilig hanteren en gebruiken van dit product.

- Controleer **ALLE** externe componenten en de doos op beschadigingen. Als u een beschadiging ontdekt, of als het product niet goed werkt, neemt u contact op met een monteur of met Invacare voor reparatie.
- Om een veilige installatie, inrichting en werking van de HomeFill-compressor te garanderen, **MOETEN** deze instructies worden opgevolgd.
- **DE INFORMATIE IN DIT DOCUMENT KAN WORDEN GEWIJZIGD ZONDER VOORAFGAANDE KENNISGEVING.**

**GEVAAR!****Gevaar voor beschadiging, ernstig letsel of overlijden door brand**

Textielproducten, olie of petroleumsubstanties, vet, vettige substanties en andere brandbare materialen kunnen bij zuurstofrijke lucht en wanneer ze in contact komen met zuurstof die onder druk staat, snel vlam vatten en hevig branden. Om brand, beschadiging, ernstig letsel of overlijden te voorkomen:

- NIET ROKEN tijdens het gebruik van dit apparaat.
- NIET GEBRUIKEN in de buurt van OPEN VUUR of ONTSTEKINGSBRONNEN.
- GEEN smeermiddelen gebruiken voor de compressor, tenzij door Invacare aanbevolen.
- NIET ROKEN-bordjes moeten duidelijk zichtbaar aanwezig zijn.

**GEVAAR!****Gevaar voor beschadiging, ernstig letsel of overlijden door brand**

Textielproducten, olie of petroleumsubstanties, vet, vettige substanties en andere brandbare materialen kunnen bij zuurstofrijke lucht en wanneer ze in contact komen met zuurstof die onder druk staat, snel vlam vatten en hevig branden. Om brand, beschadiging, ernstig letsel of overlijden te voorkomen:

- Vermijd het ontstaan van vonken in de buurt van zuurstofapparatuur. Hiertoe behoren ook vonken door statische elektriciteit veroorzaakt door wrijving.
- Houd lucifers, brandende sigaretten en andere aansteekmaterialen buiten de ruimte waarin deze compressor zich bevindt en uit de buurt van de plek waar zuurstof wordt toegediend.
- Houd de zuurstofslangen, het snoer en de compressor onder zaken zoals dekens, dekbedden, kussens en kleding vandaan, en uit de buurt van verwarmde of hete oppervlakken, zoals kachels, fornuizen en soortgelijke elektrische apparaten.



GEVAAR!

Gevaar voor beschadiging, ernstig letsel of overlijden door brand

Textielproducten, olie of petroleumsubstanties, vet, vettige substanties en andere brandbare materialen kunnen bij zuurstofrijke lucht en wanneer ze in contact komen met zuurstof die onder druk staat, snel vlam vatten en hevig branden. Brand, beschadiging, ernstig letsel of overlijden voorkomen:

- Laat GEEN vet van uw handen of een andere plek in contact komen met de aansluiting voor de compressor of met de bevestigingen van de cilinder. Dit soort substanties kan in aanwezigheid van zuurstof licht ontvlambaar worden met letsel tot gevolg. Probeer de bevestigingen van de cilinder niet aan te raken. Voorbeelden van substanties die moeten worden vermeden, zijn handcrèmes of lotions, kookolie, zonnebrandolie of zonnebrandcrème en vergelijkbare vettige producten. Indien u dit soort producten gebruikt, adviseert Invacare om uw handen te wassen voordat u het HomeFill-apparaat gaat gebruiken. Als de bevestigingen van de cilinder met dergelijke stoffen in contact is gekomen, dient deze stof vóór het aansluiten op de compressor met een vochtige doek te worden verwijderd.



GEVAAR!

Gevaar voor beschadiging, ernstig letsel of overlijden door brand

Textielproducten, olie of petroleumsubstanties, vet, vettige substanties en andere brandbare materialen kunnen bij zuurstofrijke lucht en wanneer ze in contact komen met zuurstof die onder druk staat, snel vlam vatten en hevig branden. Brand, beschadiging, ernstig letsel of overlijden voorkomen:

- De aansluiting van de compressor of de bevestigingen van de cilinder mogen NOOIT worden ingevet of doorgesmeerd. Gebruik NOOIT olie of smeermiddelen die diep doordringen, zoals WD-40® of 3-in-1 Oil®. Als het aansluiten moeizaam gaat, controleer dan of de bevestigingen van de cilinder recht in de aansluiting van de compressor wordt geplaatst. Als het moeizaam blijft gaan, neem dan contact op met uw leverancier voor assistentie.



GEVAAR!

Risico op elektrische schokken

Dit apparaat bevat componenten die bewegen en onder hoge druk staan. Het product bevat onder de kap geen onderdelen waaraan de gebruiker onderhoud kan uitvoeren. Om elektrische schok, letsel of overlijden te voorkomen:

- Het deksel NIET verwijderen.
- Laat het onderhoud over aan gekwalificeerd personeel.

**WAARSCHUWING!****Kans op schade en ernstig letsel**

Het gebruik van accessoires die niet afkomstig zijn van Invacare kan leiden tot ernstig letsel of beschadigingen.

- Invacare-producten zijn specifiek ontworpen en vervaardigd voor gebruik in combinatie met Invacare-accessoires. Accessoires die door andere fabrikanten zijn ontworpen zijn niet getest door Invacare en worden niet aanbevolen voor gebruik met Invacare-producten.
- Deze apparatuur mag niet worden gewijzigd.
- Gebruik GEEN accessoires die niet afkomstig zijn van Invacare.
- Bestel uw Invacare-accessoires telefonisch via Invacare of op www.invacare.com.

**WAARSCHUWING!****Risico op schade of lichamelijk letsel**

Een beschadigd product kan defect raken en leiden tot letsel of schade. Letsel of schade voorkomen:

- Zorg dat de compressor NIET nat wordt.
- Indien de compressor een beschadigde kabel of stekker heeft, niet naar behoren werkt, op de grond is gevallen, beschadigd is geraakt of is ondergedompeld in water, kunt u contact opnemen met een gekwalificeerde technicus voor verder onderzoek en reparatie.

**WAARSCHUWING!****Risico op schade of lichamelijk letsel**

Blokken van de luchtstroom naar en van de compressor kan leiden tot letsel of schade.

- Blokkeer NOOIT de luchtopeningen van het product en plaats het niet op een zachte ondergrond, zoals een bed of bank, omdat de luchtopeningen dan geblokkeerd kunnen raken.
- Houd de openingen vrij van stof, haren en vergelijkbare ongewenste zaken.



WAARSCHUWING!

- Gebruik de compressor NIET buiten. Dit product mag alleen binnenshuis worden gebruikt.
- Indien er een lek wordt waargenomen in de zuurstofcilinder, mag u de cilinder NIET gebruiken. Draai de regelknop op de regelaar in de uitstand. Als de lekkage blijft bestaan, plaats de cilinder dan in de buitenlucht en breng uw zorgverlener of de vertegenwoordiger hiervan op de hoogte.
- Kinderen moeten ALTIJD onder toezicht staan in de nabijheid van het HomeFill-apparaat. Wanneer het apparaat wordt gebruikt met de HomeFill-tafel of een vergelijkbaar verhoogd ondersteuningsoppervlak, kan een kind een dergelijke tafel omverduwen waardoor het apparaat kan vallen. Als deze waarschuwing niet wordt opgevolgd, kan dit leiden tot persoonlijk letsel en/of beschadiging van het product.



WAARSCHUWING!

Risico op schade of lichamelijk letsel

De HomeFill is uitgerust met een uitlaatklep voor hoge druk om de veiligheid van de gebruiker te waarborgen. Na activering maakt deze beveiligingsfunctie extreem veel lawaai. Letsel of schade voorkomen:

- Indien u dit geluid hoort, dient u het apparaat uit te schakelen en contact op te nemen met uw zorgverlener of vertegenwoordiger.



WAARSCHUWING!

Gevaar voor schade, letsel of overlijden

Bij onjuiste plaatsing of bevestiging kan iemand struikelen of vallen over het netsnoer en de verbindingsslang of erin verstrikt raken, wat kan leiden tot lichamelijk letsel. Het product kan ook beschadigd raken.

- Snoeren en/of slangen goed opbergen en neerleggen zodat er tijdens het gebruik niemand over kan struikelen of erin verstrikt kan raken.
- Vermijd het plaatsen van netsnoeren langs plekken waar veel beweging plaatsvindt.
- Voordat u de compressor of de concentrator beweegt of verplaatst, moet u de netsnoeren en verbindingsslangen tussen de compressor en de concentrator ALTIJD ontkoppelen.

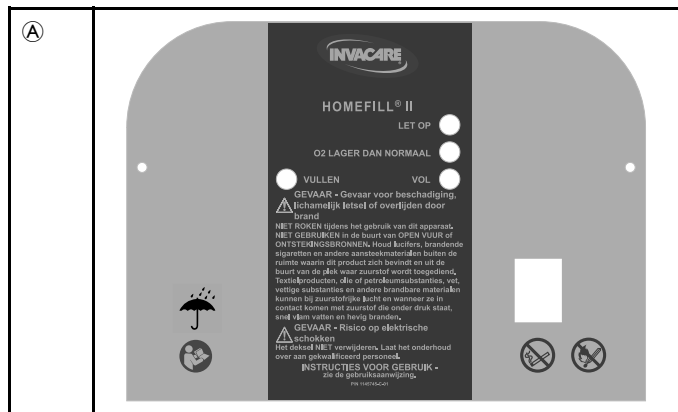
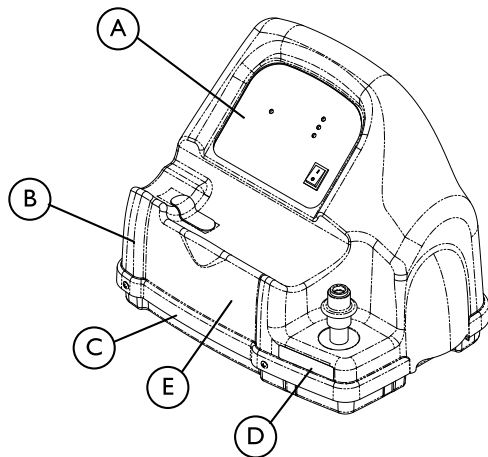



LET OP!

Volgens de wet mag dit apparaat slechts aan of op voorschrift van een door de lokale bevoegde instanties geautoriseerde arts worden verkocht.

- Dit apparaat mag UITSLUITEND door of op voorschrift van een bevoegde arts worden gekocht.

2.2 Locatie van de labels



B	<p>⚠ DANGER Risk of Death, Injury or Damage from Fire Keep all connections free of oil and grease to avoid violent ignition. See user manual before cleaning. 1075220-D-00</p>
C	<p>⚠ DANGER Risk of Electric Shock DO NOT REMOVE UNIT COVER This unit contains moving and high pressure components. Manufacturer Service Only. 1075221-C-01</p>
D	<p>⚠ DANGER Risk of Death, Injury or Damage from Fire Keep all connections free of oil and grease to avoid violent ignition. See user manual before cleaning. Never oil or lubricate coupling. Cylinders filled on this unit MUST be labeled "Contents of this cylinder are the product of an oxygen concentrator." 1075238-D-00</p>
E	<p>⚠ GEVAAR Gevaar voor beschadiging, lichamelijk letsel of overlijden door brand Houd alle aansluitingen vrij van olie en vet om te voorkomen dat er plotseling brand ontstaat. Raadpleeg voor het reinigen de gebruiksaanwijzing. Breng nooit olie of smeermiddelen aan op de kopstukken. Cilinders op dit apparaat die zijn gevuld, MOETEN zijn voorzien van een label met "De inhoud van deze cilinder is het product van een zuurstofconcentrator". Risico op elektrische schokken HET DEKSEL NIET VAN HET APPARAAT VERWIJDEREN Dit apparaat bevat componenten die bewegen en onder hoge druk staan. Onderhoud uitsluitend door de fabrikant.</p>  <p>DRUK VOORDAT U DE CLINDER AANSLUIT DE HULS OMLAAG TOTDAT U DE GROENE STIPPEN ZIET.</p> <p>114802-D-01</p>

2.3 Informatie over de leverancier



Invacare raadt aan om een volle zuurstofcilinder achter te laten bij de patiënt na het opstellen van de HomeFill-compressor.

Voordat een HomeFill-compressor bij een gebruiker wordt achtergelaten, MOET de volgende checklist worden afgerond:

- Controleer of de datum voor de druktest op de cilinder niet verlopen is.
- Lees het EMC-hoofdstuk voor informatie over de werking en mogelijke RF-problemen. Raadpleeg de EMC-informatie.
- Leer de gebruiker op een veilige manier om te gaan met de concentrator en alle waarschuwingen in acht te nemen.
- Leer de gebruiker op een veilige manier om te gaan met de HomeFill-compressor en alle waarschuwingen in acht te nemen.
- Laat een volle zuurstofcilinder achter bij de gebruiker.
- Laat een kopie van alle waarschuwingen en vulinstructies achter bij de gebruiker.

2.4 Dubbel geïsoleerde producten



LET OP!

- Trek de stekker NIET aan het snoer uit het stopcontact. Trek de stekker niet aan het snoer uit het stopcontact, omdat de stekker dan mogelijk beschadigd raakt.

Bij een dubbel geïsoleerd product worden twee isolatiesystemen meegeleverd in plaats van aarding. Op een

dubbel geïsoleerd product is geen aarding nodig en hoeft die dan ook niet te worden toegevoegd aan het product. Een dubbel geïsoleerd product wordt voorzien van de woorden 'DUBBELE ISOLATIE' of 'DUBBEL GEÏSOLEERD' of de symbolen:



2.5 EMC-informatie



WAARSCHUWING!

Risico op schade of lichamelijk letsel

Let op het volgende om de kans op letsel of schade aan het product door interferentie met draadloze apparatuur te verkleinen:

- Houd de compressor op minstens 3,0 m (9,8 ft) afstand van draadloze communicatieapparatuur, zoals draadloze thuisnetwerkapparaten, mobiele telefoons, draadloze telefoons en basisstations, walkietalkies, enz.



WAARSCHUWING!

- Wanneer andere dan de door Invacare vermelde of geleverde accessoires of kabels worden gebruikt, kan dit tot een hogere afgifte van elektromagnetische straling en een lagere elektromagnetische immuniteit van de apparatuur leiden, waardoor de apparatuur mogelijk niet meer naar behoren werkt.

Elektrische medische apparatuur moet worden geïnstalleerd en gebruikt in overeenstemming met de EMC-informatie in deze handleiding.

Tests hebben uitgewezen dat deze apparatuur voldoet aan de EMC-richtlijnen volgens IEC/EN 60601-1-2 voor apparatuur van type BF. Deze richtlijnen werden opgesteld om een redelijke bescherming te bieden tegen elektromagnetische interferentie in een typische thuiszorgomgeving. Wanneer deze apparatuur wordt gebruikt in een omgeving met een hogere mate van interferentie, is de aangegeven zuurstofconcentratie in de cilinder mogelijk niet meer accuraat. Deze apparatuur is niet bedoeld voor gebruik in een professionele verzorgingsomgeving.

Draagbare en mobiele RF-communicatieapparatuur kan de werking van deze apparatuur beïnvloeden. De compressor kan tijdens de installatie worden gestapeld op een zuurstofconcentrator die compatibel is met Invacare HomeFill. Observeer de werking van de compressor in alle situaties om te controleren of de cilinder op de juiste manier wordt gevuld.

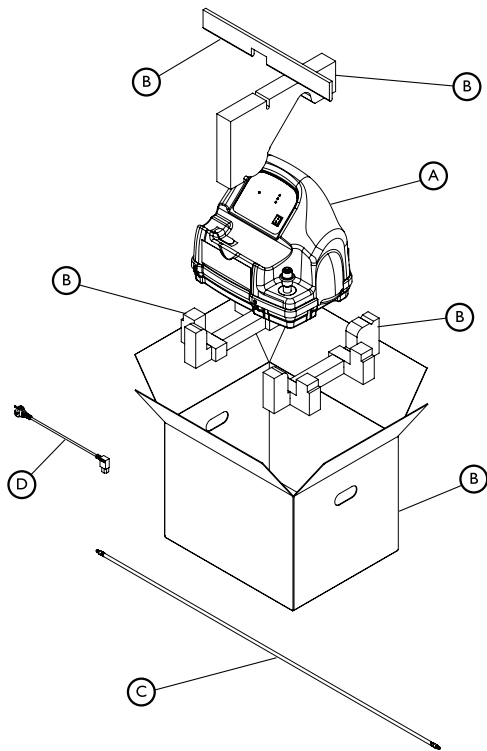
Bij andere apparaten kan er al van interferentie sprake zijn bij zeer lage elektromagnetische straling, zelfs als wordt voldaan aan bovengenoemde richtlijnen. Om te kunnen bepalen of emissies uit de compressor de oorzaak zijn van de interferentie dient u de compressor uit te schakelen. Als er bij uitschakeling van de compressor geen interferentie meer optreedt, is de compressor de oorzaak van de interferentie. In dergelijke zeldzame gevallen kunt u het volgende doen om de interferentie te verminderen of stoppen:

- Draai of verplaats de compressor of vergroot de afstand tussen de apparaten.
- Sluit elk apparaat dat is voorzien van een kabel voor stroomvoorziening aan op een ander elektrisch circuit.

Zie voor aanvullende informatie *8.4 Elektromagnetische compatibiliteit (EMC), pagina 265*

3 Montage

3.1 Uitpakken



OMSCHRIJVING	
Compressor	A
Verpakking	B
Kabels	C
Netsnoer	D
Gebruikershandleiding (niet weergegeven)	N.v.t.

1. Controleer de doos en inhoud op zichtbare beschadigingen. Als er sprake is van een duidelijk zichtbare beschadiging, moet u het vervoerbedrijf of uw plaatselijke leverancier op de hoogte stellen.
2. Verwijder al het losse verpakkingsmateriaal uit de doos.
3. Haal voorzichtig alle onderdelen uit de doos.



Laat de compressor, tenzij deze **ONMIDDELLIJK** moet worden gebruikt, in de verpakking voor opslag totdat het gebruik hiervan vereist is.

3.2 Checklist beginopstelling compressor



ALLEEN voor leveranciers: raadpleeg de dealerinformatie in het hoofdstuk Veiligheid van deze handleiding voordat u deze procedure uitvoert.



ALLEEN voor gebruikers: neem contact op met uw Invacare-leverancier of Invacare voor ondersteuning bij de installatieprocedure en voor het melden van onverwachte gebeurtenissen.

Neem voordat u de HomeFill-compressor voor het eerst gebruikt, de volgende checklist in acht:

- Kies een locatie voor de compressor.
- Transporteer de compressor naar de gewenste locatie.
- Sluit het netsnoer aan op de compressor.
- Sluit de compressor aan op de concentrator.

3.3 Een locatie kiezen



GEVAAR!

Gevaar voor beschadiging, ernstig letsel of overlijden door brand

Textielproducten, olie of petroleumsubstanties, vet, vette substanties en andere brandbare materialen kunnen bij zuurstofrijke lucht en wanneer ze in contact komen met zuurstof die onder druk staat, snel vlam vatten en hevig branden. Om brand, beschadiging, ernstig letsel of overlijden te voorkomen:

- NIET ROKEN tijdens het gebruik van dit apparaat.
- NIET GEBRUIKEN in de buurt van OPEN VUUR of ONTSTEKINGSBRONNEN.
- GEEN smeermiddelen gebruiken voor de compressor, tenzij door Invacare aanbevolen.
- NIET ROKEN-bordjes moeten duidelijk zichtbaar aanwezig zijn.



GEVAAR!

Gevaar voor beschadiging, ernstig letsel of overlijden door brand

Textielproducten, olie of petroleumsubstanties, vet, vette substanties en andere brandbare materialen kunnen bij zuurstofrijke lucht en wanneer ze in contact komen met zuurstof die onder druk staat, snel vlam vatten en hevig branden. Om brand, beschadiging, ernstig letsel of overlijden te voorkomen:

- Houd lucifers, brandende sigaretten en andere aansteekmaterialen buiten de ruimte waarin deze compressor zich bevindt en uit de buurt van de plek waar zuurstof wordt toegediend.
- Houd de zuurstofslangen, het snoer en de compressor onder zaken zoals dekens, dekbedden, kussens en kleding vandaan, en uit de buurt van verwarmde of hete oppervlakken, zoals kachels, fornuizen en soortgelijke elektrische apparaten.

De compressor moet ten minste 7,6 cm (3 inch) van muren, gordijnen of meubels worden geplaatst om voldoende luchtstroming mogelijk te maken.

Plaats de compressor niet naast kachels, radiatoren en heteluchtblazers.

Gebruik het product NIET in een kast.

De compressor moet op een hard, vlak en stabiel oppervlak staan, zoals een tafel of de Ready Rack.



De HomeFill Ready Rack wordt afzonderlijk verkocht en wordt gebruikt om de HomeFill-compressor op een Perfecto₂- of Platinum®-zuurstofconcentrator te plaatsen. Zie het instructieblad van de HomeFill Ready Rack (onderdeelnummer 1148363 en 1134824) voor meer informatie.

3.4 De compressor vervoeren



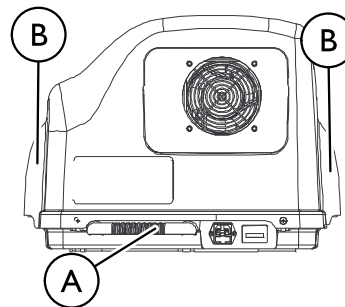
WAARSCHUWING!

– Vervoer **NOOIT** een compressor met een aangekoppelde cilinder of met een cilinder die zich op de compressor bevindt. Dit kan leiden tot letsel of schade.



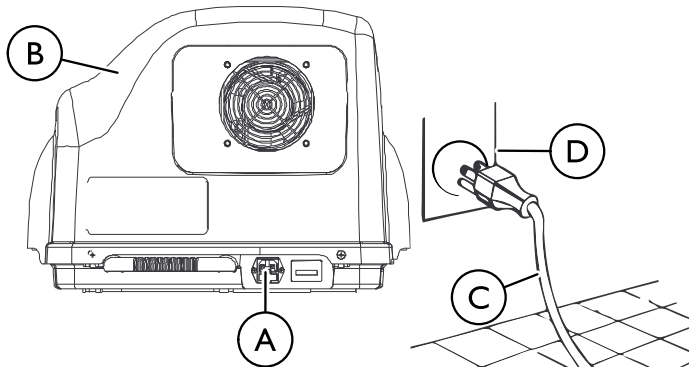
LET OP!

– Let er bij het vervoeren van de compressor op dat de compressor of de aansluitingen niet tegen voorwerpen stoten. De compressor kan hierdoor beschadigd raken.



1. Er zijn twee manieren om de compressor veilig te vervoeren:
 - Eén hand - neem de handgreep **A** vast onder aan de achterzijde van de compressor.
 - Twee handen - neem de handgrepen **B** vast aan de zijkanten van de compressor.

3.5 Het netsnoer aansluiten



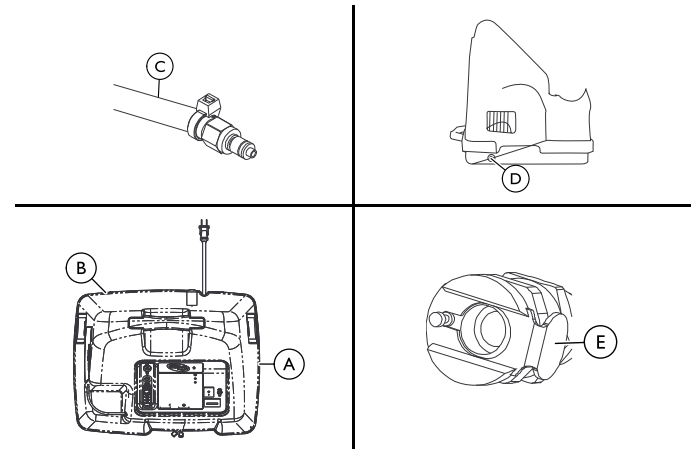
1. Kies een geschikte locatie. Raadpleeg 'Een locatie kiezen' in dit hoofdstuk van de handleiding.
2. Zet de aan-/uitschakelaar in de uitstand (O).
3. Steek het netsnoer in de elektrische aansluiting (A) aan de achterzijde van de compressor (B).
4. Steek het andere uiteinde van het netsnoer (C) in een stopcontact (D).
5. Houd minimaal 7,6 cm (3") speling aan bij de uiteinden van het netsnoer, zodat ze eenvoudig kunnen worden losgekoppeld.



De stroomtoevoer werkt als loskoppelingsapparaat voor de voeding, en sluit alle voeding naar het apparaat af zodra het snoer wordt losgekoppeld.

3.6 De compressor aansluiten op de concentrator

3.6.1 De compressor aansluiten op een Invacare-concentrator



1. Bevestig één uiteinde van de verbindingsslang (C) in de uitlaatfitting (B) aan de achterzijde van de concentrator (A).
2. Bevestig het andere uiteinde van de verbindingsslang in de inlaatfitting (D) aan de zijkant van de compressor.



De metalen uitsteeksels (E) op de uitlaatfitting van de concentrator en de inlaatfitting van de compressor F springen met een klikgeluid naar buiten wanneer het uiteinde van de verbindingsslang correct wordt ingebracht.

3.6.2 De compressor aansluiten op een niet-Invacare-concentrator

1. Raadpleeg de opgegeven uitvoerwaarden in de gebruikershandleiding van de zuurstofconcentrator om na te gaan of de concentrator compatibel is met de vereiste invoerwaarden voor gas van de HomeFill-compressor die worden vermeld in 8.3 *Specificaties, pagina 264*
2. Raadpleeg de gebruikershandleiding van de zuurstofconcentrator voor instructies over de aansluiting.

4 Gebruik

4.1 Checklist compressorwerking

Neem telkens wanneer de HomeFill-compressor wordt gebruikt om een cilinder te vullen, de volgende checklist in acht:

- Controleer of de concentrator gedurende ten minste dertig minuten op Aan staat. Raadpleeg de gebruiksaanwijzing van de concentrator.
- Voer vóór het vullen de inspectie uit op de cilinder.
- Sluit de cilinder aan op de compressor.
- Zet de aan-/uitschakelaar van de compressor in de aan-stand (I).
- Controleer de stroomlampjes op het controlepaneel.
- Ontkoppel en verwijder de volle cilinder.
- Zet de aan-/uitschakelaar van de compressor in de uitstand (O).
- Herhaal deze checklist indien er nog een cilinder moet worden gevuld.

Datum van hydrostatische test

Aluminium cilinders MOETEN iedere tien jaar worden getest.



WAARSCHUWING!

Gevaar voor lichamelijk letsel

De kans op letsel verkleinen:

- Cilinders die in de afgelopen tien jaar niet zijn getest, mogen NIET worden gevuld. Anders zou dit kunnen leiden tot ernstig lichamelijk letsel. Neem contact op met de leverancier van de apparatuur om deze te laten vervangen.

Uitwendige inspectie

1. Inspecteer de buitenkant van de cilinder op onderstaande kenmerken en vervang de cilinder indien een of meer van deze kenmerken voorkomen:
 - Deuken of oneffenheden
 - Brandplekken
 - Olie of vet
 - Andere tekenen van schade waardoor een cilinder niet meer juist of veilig kan worden gebruikt
2. Inspecteer de cilinder op tekenen van verbranding of schade door verhitting. Het zwart of schilferig worden van de verf of een ander soort bescherm laag of van een speciale hittegevoelige laag zijn hier voorbeelden van. Indien u tekenen van verbranding of schade door verhitting ontdekt, dient de cilinder te worden vervangen.
3. Inspecteer de cilinder-/regelaarconstructie op onderstaande kenmerken en vervang de constructie indien nodig:
 - Vuil, olie of vet
 - Zichtbare tekenen van schade
 - Teken van roestvorming in de klep
 - Teken van oververhitting of brandschade

4.3 De cilinder aansluiten op de compressor



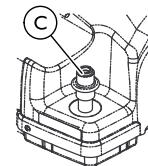
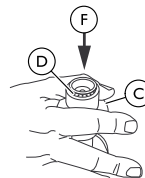
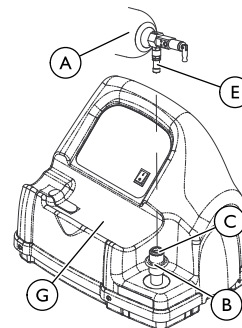
WAARSCHUWING!

- Gebruik NOOIT enige vorm van gereedschap bij het aansluiten/loskoppelen van de cilinder en compressor. Dit kan leiden tot ernstig letsel en/of ernstige schade.




WAARSCHUWING!

- Laat de zuurstofcilinders NIET vallen. Gebruik beide handen tijdens het bedienen/transporteren van zuurstofcilinders. Er kan anders lichamelijk letsel of schade optreden.
- Gebruik GEEN vloeibaar leksporingsmiddel om te testen op lekkages.




Doppen van de vulpoort worden voor de duidelijkheid niet weergegeven.


1. Inspecteer het product vóór gebruik op zichtbare schade. Raadpleeg het gedeelte Uitwendige inspectie. NIET gebruiken als er schade is vastgesteld.

 Mochten er labels onleesbaar zijn of kwijt zijn geraakt, neem dan contact op met de leverancier van uw apparatuur.


2. Controleer de cilindergaugemeter. Ga verder met STAP 3 als de cilinderdruk lager is dan 10342 kPa (1500 psig).

 Voor de plaats van de cilindergaugemeter raadpleegt u de betreffende gebruikershandleiding voor de cilinder. Deze cilinder mag NIET worden afgedekt als de cilinderdruk **hoger** is dan 1500 psig (10342 kPa). Dit kan het vullen verhinderen.

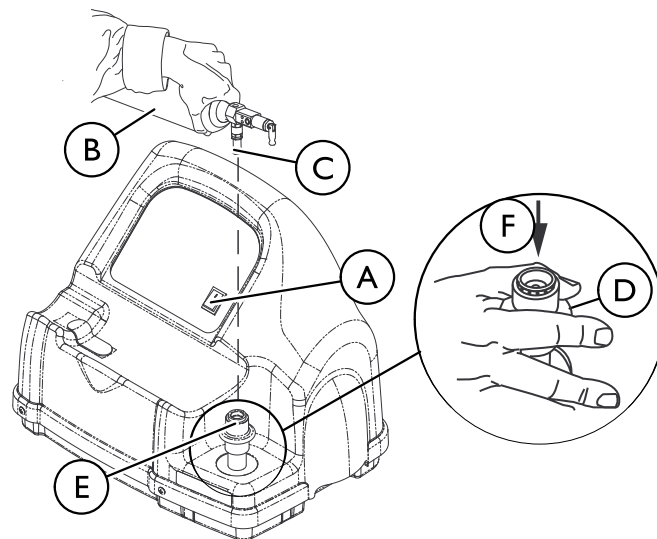
3. Zet de flowregelaar op de cilinder **A** in de uitstand. Raadpleeg de gebruikershandleiding bij de cilinder.
4. Verwijder zowel de dop van de cilindervulpoort als die op de connectorvulpoort (indien aanwezig).
5. Om de connector te resetten duwt u de buitenste ring (huls) **B** van de connectorvulpoort **C** kort OMLAAG totdat er GROENE stippen **D** verschijnen.

 Als de buitenste ring (huls) OMLAAG staat (GROENE stippen niet zichtbaar), wordt het aansluiten van de cilindervulpoort op de connectorvulpoort **E** geblokkeerd. Door de ring kort OMLAAG **F** te duwen, wordt de connectorvulpoort gereset (GROENE stippen zichtbaar) en wordt de blokkade voor de cilindervulpoort opgeheven.

6. Pak de cilinder vast bij het gedeelte achter de cilindervulpoort.
7. Plaats de cilinder in de compressorhouder **C**.
8. Plaats de cilindervulpoort op één lijn met de connectorvulpoort.
9. Trek de buitenste ring (huls) van de connectorvulpoort OMLAAG terwijl u de cilinder OMLAAG duwt om de cilindervulpoort op de connectorvulpoort aan te sluiten.

 Zodra u een klikgeluid hoort, is de cilinder correct aangesloten.

4.4 De cilinder loskoppelen van de compressor



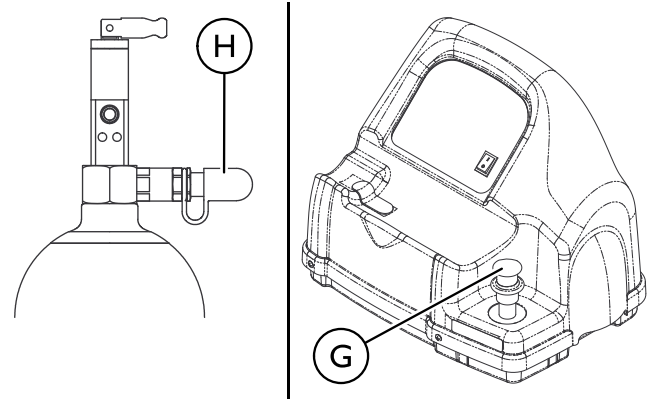


WAARSCHUWING!

– Gebruik NOOIT enige vorm van gereedschap bij het aansluiten/loskoppelen van de cilinder en de compressor. Dit kan leiden tot ernstig letsel en/of ernstige schade.

1. Zet de aan-/uitschakelaar **A** van de compressor in de uitstand (O).
2. Pak de cilinderconstructie **B** vast bij het gedeelte achter de vulpoort van de cilinder **C**.
3. Pak met de andere hand de buitenste ring (huls) van de connectorvulpoort **E** vast en duw deze OMLAAG **F**.
4. Til de cilinder omhoog om deze uit de connectorvulpoort te verwijderen.

5. Zodra de cilindervulpoort is losgekoppeld van de connectorvulpoort laat u de buitenste ring (huls) van de connectorvulpoort los en verwijdert u met beide handen de cilinder uit de compressorhouder.



WAARSCHUWING!

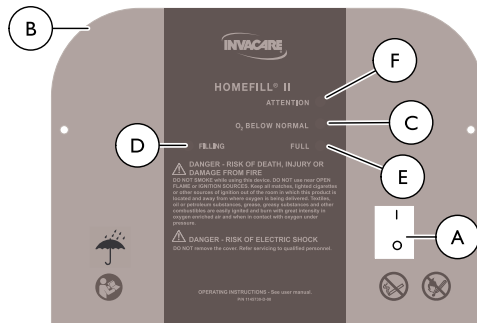
– De doppen van de connectorvulpoort en van de cilindervulpoort MOETEN worden vervangen na het vullen en wanneer het apparaat niet in gebruik is. Neem vóór gebruik contact op met uw zorgleverancier als een van de vulpoortdoppen ontbreekt.

6. Plaats de vulpoortdoppen op de connectorvulpoort **Ⓒ** en de cilinder vulpoort **Ⓓ**.

i Bij gebruik van een type cilinder met een klep aan de achterkant, bevestigt u een zuurstofregelaar volgens de instructies van de fabrikant.

7. Kijk op de cilindergaugemeter om te controleren of de cilinder vol is (naald wijst naar het GROENE gebied). Verricht onderstaande procedures als de cilinder niet vol is:
- Herhaal 'De cilinder aansluiten op de compressor' in dit hoofdstuk van de handleiding.
 - Neem contact op met de leverancier als de cilinder na de tweede vulpoging nog niet vol is.

4.5 De compressor in- en uitschakelen



- Controleer of de concentrator is ingeschakeld. Raadpleeg de gebruikershandleiding van de concentrator.

i De maximale flowsnelheid voor de zuurstofconcentrator wordt weergegeven in de onderstaande tabel. Indien dit niet in acht wordt genomen, zal het zuurstofniveau voor de compressor lager zijn dan 90% en wordt de cilinder niet gevuld door de compressor.

Zuurstofconcentrator	Maximale flowsnelheid voor gebruik bij patiënten
Modellen van 5 l	2,5 l/min
Modellen van 9 l	5 l/min

i Patiënten met een hogere voorgeschreven flow mogen de cilinder niet opnieuw vullen terwijl ze een aanvullende zuurstofbehandeling toegediend krijgen van de zuurstofconcentrator. Als uw concentrator niet staat vermeld in de tabel met de limietwaarden, raadpleeg dan uw gebruikershandleiding of neem contact op met uw leverancier.

- Stel de voor de patiënt gepaste flowsnelheid van de concentrator in op basis van een van de volgende instellingen. Raadpleeg de gebruikershandleiding van de concentrator.
 - Maximaal 2,5 l/min voor modellen van 5 l
 - Maximaal 5 l/min voor modellen van 9 l



Bij concentrators die niet van Invacare afkomstig zijn, kan een lagere uitgaande flowsnelheid vereist zijn voor de patiënt om de HomeFill-compressor van een zuurstofgehalte \geq 90% te kunnen voorzien.

3. Controleer of de cilinder is aangesloten op de compressor. Raadpleeg 'De cilinder aansluiten op de compressor' in dit hoofdstuk van de handleiding.
4. Zet de aan-/uitschakelaar Ⓐ op het bedieningspaneel op aan (I).
5. Controleer het bedieningspaneel Ⓑ. De volgende opeenvolging van gebeurtenissen kan zich voordoen:
 - a. 0-3 minuten: het lampje O₂ lager dan normaal (GEEL) Ⓒ gaat branden terwijl de compressor opwarmt.
 - b. Na drie minuten: het lampje VULLEN (GROEN) Ⓓ brandt terwijl de cilinder wordt gevuld.
 - c. Het lampje VOL (GROEN) Ⓔ brandt wanneer de cilinder is gevuld. Ga verder met STAP 6.



Het lampje O₂ LAGER DAN NORMAAL (GEEL) kan gaan branden als het zuurstofgehalte van de concentrator de 90% nog niet heeft bereikt of onder de 90% terechtkomt. De compressor begint met of hervat het vulproces wanneer het zuurstofgehalte 90% bereikt. Als het lampje niet binnen 10 minuten uitgaat, raadpleegt u 'Problemen oplossen' in deze handleiding. Als het lampje voor het ALARM (ROOD) en het hoorbare alarm Ⓕ aan staan, raadpleegt u 'Problemen oplossen' in deze handleiding.

6. Verwijder de volle cilinder. Raadpleeg 'De cilinder loskoppelen van de compressor' in dit hoofdstuk van de handleiding.
7. Zet de aan-/uitschakelaar in de uitstand (O).



Voor de werking en het gebruik van de cilinder kunt u de betreffende gebruikershandleiding voor de cilinder-/regelaarconstructie raadplegen.

5 Onderhoud

5.1 Onderhoudsinformatie



GEVAAR!

Risico op elektrische schokken

Dit apparaat bevat componenten die bewegen en onder hoge druk staan. Het product bevat onder de kap geen onderdelen waaraan de gebruiker onderhoud kan uitvoeren. Om elektrische schok, letsel of overlijden te voorkomen:

- Het deksel NIET verwijderen.
- Laat het onderhoud over aan gekwalificeerd personeel.



WAARSCHUWING!

– Alleen de onderdelen en procedures die in dit hoofdstuk worden vermeld, dienen door de bediener van het apparaat te worden uitgevoerd. Alle andere onderdelen en procedures moeten door een gekwalificeerde technicus worden uitgevoerd.

5.2 Slijtage

Invacare behoudt zich het recht voor om onderdelen met vermeende constructiefouten terug te vragen. Zie de garantie in deze handleiding voor specifieke informatie over de garantie.

Zie de procedures in deze gebruiksaanwijzing voor een degelijk preventief onderhoudsschema en het juiste gebruik van het product.

Dit is slechts een algemene richtlijn en geldt niet voor onderdelen die door verkeerd gebruik zijn beschadigd. De gebruiksduur is afhankelijk van verschillende factoren.

Hieronder vindt u een lijst van productonderdelen die onderhevig zijn aan normale slijtage.

- Alle soorten filters
- Alle soorten slangen

5.3 Levensduur

De verwachte levensduur van dit product bedraagt 5 jaar of 5000 gebruiksuren bij correct gebruik in overeenstemming met de veiligheidsinstructies en onderhoudstermijnen, zoals beschreven in deze handleiding. De effectieve levensduur kan variëren afhankelijk van de frequentie en intensiteit van het gebruik. Onderhoud dient minimaal eenmaal per week plaats te vinden.

5.4 De compressorfilter reinigen



WAARSCHUWING!

- Zet vóór het reinigen de aan-/uitschakelaar in de uitstand (O) en trek de stekker van de compressor uit het stopcontact.
- Gebruik de compressor NIET zonder geïnstalleerde filter.



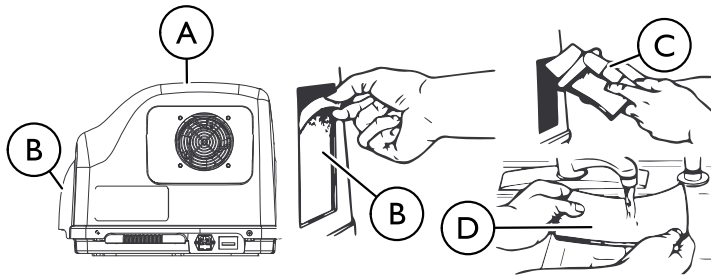
LET OP!

- Stekker NIET aan de kabel uit het stopcontact trekken. Trek de stekker niet aan het snoer uit het stopcontact, omdat de stekker dan mogelijk beschadigd raakt.



Alle compressors hebben één filter aan de achterzijde van de kast.

Voer deze procedure ten minste eenmaal per week uit.



1. Trek de stekker van de compressor **A** uit het stopcontact. Neem de stekker vast en niet het snoer.
2. Verwijder de filter **B**.
3. Reinig de filter met een stofzuiger **C** of was de filter in een warm sop en spoel deze grondig af **D**.
4. Droog de filter grondig alvorens deze opnieuw te installeren.

5.5 De kast reinigen



GEVAAR!

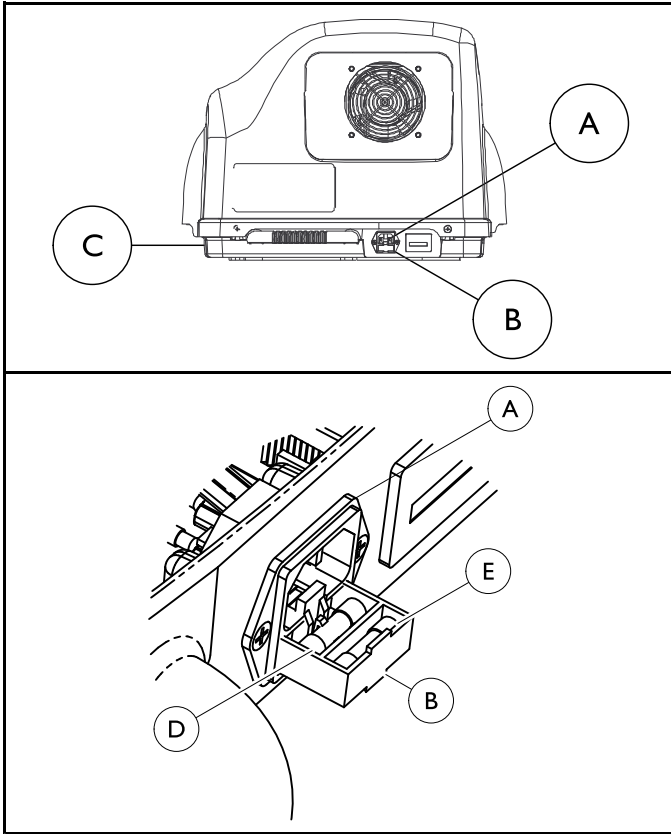
Risico op elektrische schokken

Dit apparaat bevat componenten die bewegen en onder hoge druk staan. Het product bevat onder de kap geen onderdelen waaraan de gebruiker onderhoud kan uitvoeren. Om elektrische schok, letsel of overlijden te voorkomen:

- Het deksel NIET verwijderen.
- Laat het onderhoud over aan gekwalificeerd personeel.

1. Reinig de kast met een mild huishoudelijk reinigingsmiddel en een niet-schurende doek of spons.

5.6 De zekering vervangen



1. Haal het netsnoer uit het stopcontact.
2. Haal het netsnoer uit de stroomtoevoer **A** op de compressorbasis **C**.

3. Trek de zekeringlade **B** aan de onderzijde van de stroomtoevoer open.
4. Gebruik een zekeringtrekker of een kleine platte schroevendraaier om de voorste zekering in de zekeringlade te verwijderen en gooi die zekering weg.

i In de zekeringlade is ruimte voor twee zekeringen. Het voorste gedeelte is bedoeld voor de operationele zekering. Het product wordt geleverd met alleen de voorste zekering. Het achterste gedeelte is bedoeld voor een optionele reservezekering. Als u de voorste zekering vervangt, dient u ervoor te zorgen dat er een reservezekering van hetzelfde type en dezelfde classificatie in de zekeringlade aanwezig is.

5. Installeer de vervangingszekering in de voorste zekeringruimte **D**.

i Gebruik alleen zekeringen van 5 mm x 20 mm met tijdschakelaar en laag uitschakelvermogen van 250 V en 2 A conform IEC 60127 (Invacare-onderdeelnummer 1099820).

6. Schuif de zekeringlade terug in de stroomtoevoer.
7. Steek het netsnoer in de stroomtoevoer op de compressorbasis.
8. Sluit het netsnoer aan op een stopcontact.
9. Zet de aan-/uitschakelaar aan (**I**) en controleer of het apparaat op de juiste wijze van stroom wordt voorzien.
10. Als het apparaat niet kan worden ingeschakeld, zet dan de aan-/uitschakelaar uit, haal het netsnoer uit het apparaat en neem contact op met uw leverancier of Invacare.

6 Na gebruik

6.1 Afvoeren

Dit product is afkomstig van een milieubewuste fabrikant conform richtlijn 2012/19/EU betreffende afgedankte elektrische en elektronische apparatuur (AEEA).

Dit product bevat mogelijk stoffen die schadelijk kunnen zijn voor het milieu wanneer ze worden achtergelaten op plaatsen (stortplaatsen) die volgens de wetgeving daarvoor niet geschikt zijn.

Dit product bevat het symbool met de doorgekruiste afvalcontainer om u aan te moedigen dit product zo veel mogelijk te recyclen.

Volg de lokale beheersvoorschriften en recyclingprogramma's met betrekking tot het afvoeren van het apparaat of van de onderdelen die gewoonlijk worden gebruikt. Tijdens het gebruik worden er door het apparaat geen afval of restanten geproduceerd. Voer het apparaat NIET af met de normale afvalverwerking. Accessoires die geen onderdeel zijn van het apparaat MOETEN worden behandeld in overeenstemming met de betreffende productmarkering voor afvoer.

Wij hopen dat u voldoende milieubewust bent om dit product na de levensduur naar een recyclestation te brengen. Voor informatie over productrecycling kunt u contact opnemen met Invacare of met uw leverancier.

7 Problemen oplossen

7.1 Indicatorlampjes

Kleur indicatorlampje	Compressorstatus	Gevolg
Geen	Compressor is uitgeschakeld.	O ₂ stroomt naar gebruiker als concentrator is ingeschakeld.
O ₂ LAGER DAN NORMAAL - GEEL	Compressor staat aan en warmt op (0-3 minuten nadat het apparaat is ingeschakeld).	Vullen van de cilinder is niet gestart.
		O ₂ stroomt naar gebruiker als concentrator is ingeschakeld.
	O ₂ van concentrator is < 90% (op ieder ogenblik na de drie minuten voorbereidingstijd).	Vullen van de cilinder stopt, herstart als O ₂ > 90%.
		O ₂ stroomt naar gebruiker als concentrator is ingeschakeld.
VULLEN - GROEN	Compressor is ingeschakeld en cilinder wordt gevuld. O ₂ van concentrator is > 90% (op ieder ogenblik na de drie minuten voorbereidingstijd).	Cilinder wordt gevuld.
		O ₂ stroomt naar gebruiker als concentrator is ingeschakeld.

Kleur indicatorlampje	Compressorstatus	Gevolg
VOL - GROEN	<p>Compressor is ingeschakeld. Vullen van cilinder voltooid (vol) - verwijder cilinder (lampje VOL brandt na >10 min.)</p> <p>of</p> <p>Cilinder is niet correct bevestigd - controleer aansluiting (lampje VOL brandt na <10 min.).</p>	<p>Vullen van cilinder stopt.</p> <p>Kan pas andere cilinder vullen als compressor wordt uitgeschakeld en vervolgens weer ingeschakeld.</p> <p>O₂ stroomt naar gebruiker als concentrator is ingeschakeld.</p>
ALARM - ROOD (hoorbaar alarm)	<p>Compressor is ingeschakeld. Cilinder wordt NIET gevuld. Oorzaken:</p> <p>Volle cilinder aangesloten wanneer apparaat is ingeschakeld - vervangen door lege cilinder</p> <p>of</p> <p>Interne fout - neem contact op met leverancier.</p>	<p>Compressor begint niet met vullen of stopt.</p> <p>De eenheid moet worden uit- en ingeschakeld om vullen mogelijk te maken.</p> <p>O₂ stroomt naar gebruiker als concentrator is ingeschakeld.</p>

7.2 Problemen oplossen

Probleem	Oplossing
Er branden geen indicatorlampjes wanneer de compressor wordt aangezet.	<ol style="list-style-type: none"> 1. Schakel de compressor uit (O). 2. Controleer of het netsnoer goed is aangebracht in de compressor en in het stopcontact. 3. Schakel de compressor in (I). 4. Reinig de luchtfilters. Raadpleeg 'De compressorfilter reinigen' in het gedeelte 'Onderhoud' van de handleiding. 5. Indien de indicatorlampjes nog niet branden na het uitvoeren van de stappen 1-4, kunt u contact opnemen met uw zorgverlener of met Invacare voor onderhoud.
ROOD lampje brandt	<ol style="list-style-type: none"> 1. Controleer de cilindermeter om na te gaan of de cilinder vol is: <ul style="list-style-type: none"> • Cilinder vol - verwijder de cilinder en schakel het apparaat uit. Voer de cilinderinspectie vóór vullen in het gedeelte 'Gebruik' van de handleiding uit met een cilinder die niet vol is. • Cilinder niet vol - ga verder naar stap 2. 2. Controleer of de cilinder correct is aangesloten. <ul style="list-style-type: none"> • Schakel de compressor uit (O). • Verwijder de cilinder en installeer deze opnieuw. • Schakel de compressor in (I). Als de cilinder niet vol is maar wel correct is aangesloten, kan de compressor een intern defect hebben. Neem contact op met uw zorgverlener of met Invacare.

Probleem	Oplossing
<p>De compressor gaat steeds aan en uit of O₂ lager dan normaal (geel) en vullen (groen) gaan afwisselend aan en uit of Lampje O₂ lager dan normaal (geel) gaat aan en uit</p>	<ol style="list-style-type: none"> 1. Controleer of de flow van de concentrator is ingesteld op hooguit de waarde die staat vermeld in <i>4.5 De compressor in- en uitschakelen, pagina 251</i>. Stel indien nodig de flow bij (raadpleeg de gebruikershandleiding van de concentrator). Wacht ten minste 20 minuten tot het GROENE lampje brandt. Indien het groene lampje niet brandt, gaat u verder naar stap 2. 2. Het is mogelijk dat de concentrator een onderhoudsbeurt nodig heeft. Neem contact op met uw zorgverlener of met Invacare.
<p>Lampje O₂ lager dan normaal (GEEL) blijft branden</p>	<ol style="list-style-type: none"> 1. Controleer of de concentrator ten minste 20 minuten is opgewarmd. Indien de 20 minuten nog niet voorbij zijn, dient u de compressor uit te schakelen totdat de concentrator is opgewarmd. Als het GELE lampje blijft branden, gaat u verder naar stap 2. 2. Controleer of de verbinding tussen de compressor en de concentrator niet is beschadigd of bekneld zit. <ul style="list-style-type: none"> • Vervang deze bij beschadiging. • Indien de verbinding bekneld zit, trekt u de buis recht. Schakel de compressor ten minste 10 seconden uit (O). Schakel de compressor in (I). Als het GELE lampje na 10 minuten blijft branden, gaat u verder naar stap 3. 3. Het is mogelijk dat de concentrator een onderhoudsbeurt nodig heeft. Neem contact op met uw zorgverlener of met Invacare.

Probleem	Oplossing
De vultijd overschrijdt het maximum van de aanbevolen vultijden OF het GROENE vullampje blijft branden.	<ol style="list-style-type: none"> 1. Controleer of de cilinderregelaar is uitgeschakeld (O). 2. Controleer de aanbevolen vultijden die staan aangegeven in de afzonderlijke handleiding van de cilinder. 3. Controleer of de cilinder correct is aangesloten. Schakel de compressor uit (O). Verwijder de cilinder en installeer deze opnieuw. Schakel de compressor in (I). 4. Controleer of de compressor-/concentratorverbinding correct is aangesloten en/of beschadigd is (d.w.z. lekken of knikken). 5. Controleer of de flow van de concentrator is ingesteld op hooguit de waarde die staat vermeld in <i>4.5 De compressor in- en uitschakelen, pagina 251</i>. Stel indien nodig de flow bij (raadpleeg de gebruikershandleiding van de concentrator). Indien het GROENE vullampje niet stopt met branden, is het mogelijk dat de compressor en/of concentrator een onderhoudsbeurt nodig hebben. Neem contact op met uw zorgverlener of met Invacare.
Zeer veel lawaai wanneer de compressor is ingeschakeld	<ol style="list-style-type: none"> 1. Neem contact op met uw zorgverlener of met Invacare voor onderhoud.
Sissend geluid uit de regelaar als de flowselector is uitgeschakeld	<ol style="list-style-type: none"> 1. Schakel de flowselector uit. 2. Als het sissende geluid niet stopt, kunt u contact opnemen met uw zorgverlener of met Invacare.
De regelaar is ingeschakeld, maar er wordt geen O ₂ geleverd	<ol style="list-style-type: none"> 1. Vul de cilinder bij. 2. Controleer of de slang recht is en niet bekneld zit. Vervang deze bij beschadiging. 3. Neem contact op met uw zorgverlener of met Invacare voor onderhoud.



Zie de handleiding van de cilinder voor juiste vultijden.

Vultijden zijn een benadering en kunnen variëren, afhankelijk van omgevingsfactoren.

8 Technische Specificaties

8.1 Technische omschrijving

Het HomeFill II-zuurstofstelsysteem (IOH200AW) is een elektromechanisch systeem dat verkrijgbaar is op voorschrift en dat bedoeld is voor thuisgebruik. Het systeem heeft als doel zuurstof onder druk te leveren met als doel gascilinders van Invacare te vullen voor ambulante gebruik terwijl de patiënt therapeutisch zuurstof toegediend krijgt uit een zuurstofconcentrator. Het IOH200AW-gassysteem is ontworpen voor gebruik met zuurstofconcentrators die voldoen aan de opgegeven invoerwaarden voor druk, flow en zuurstofzuiverheid.

Het HomeFill II-zuurstofstelsysteem bestaat uit een IOH200AW-gascompressor, verbindingbuizen en de door Invacare geleverde draagbare gascilinders met de integrale flowregelaar en een vergrendelende vulfitting.

De IOH200AW-compressor bestaat uit een meertrapscompressor, een intern reservoir, controle-elektronica met een integrale zuurstofconcentratiesensor, een vergrendelende vulfitting, een inlaatfitting en een aandrijfmotor. De werking van de compressor wordt bestuurd door de elektronicaconstructie. De motor/compressor kan een cilinder alleen vullen als de zuurstofconcentratie van de inlaatgasstroom groter is dan 90% en de cilinderdruk nog niet hoger is dan 10342 kPa (1500 psi). Het vullen van de motor/compressor is voltooid wanneer het gas in een cilinder de maximale vuldruk van 13786 kPa (2000 psi) bereikt.

De IOH200AW-compressor kan draagbare cilinders vullen voor ambulante patiënten. De draagbare gascilinders die worden geleverd door Invacare hebben een vergrendelende vulfitting die alleen past op de Invacare IOH200AW-compressorconstructie. De gascilinder bevat ook een integrale flowregelaar met vaste, selecteerbare flowinstellingen.

8.2 Vultijden cilinders

VULTIJDEN CILINDERS	Concentratorflowsnelheden naar patiënt:	
		Modellen van 5 l, tot 2,5 l/min.
	Modellen van 9 l, tot 5 l/min.	
	HF2PCE9A	HF2PCE6
NORMAAL	2 u 20 min	1 u 25 min
MAXIMUM	2 u 45 min	1 u 50 min



Bij de normale vultijden wordt aangenomen dat aan de vereiste invoerwaarden wordt voldaan.

Vultijden kunnen variëren, afhankelijk van omgevingsfactoren.

8.3 Specificaties

Regelgevingen

Regelgevingen:	EN/IEC 60601-1
	EN/IEC 60601-1-2

Specificaties voor invoer

Vereiste invoerdruk:	5 – 25 psi (34,5 – 172,4 kPa)
Vereiste invoerflow:	2 l/min
Zuiverheid van ingaande zuurstof:	>90% O ₂

Algemene specificaties

Elektrische classificaties:	230 V~, 1,0 A, 50 Hz
Voorwaarden werkomgeving:	5 tot 40 °C (41 tot 104 °F) bij 15 tot 60% niet-condenserende vochtigheid
Atmosferische druk:	700 tot 1060 hPa
Opslag en transport:	-23 tot 70 °C (-25 tot 158 °F) bij 15 tot 95% niet-condenserende vochtigheid.
Breedte:	51,44 cm (20,25")
Hoogte:	38,1 cm (15")

Diepte:	40,64 cm (16")
Gewicht:	14,97 kg (33 lbs)
Transportgewicht:	17,69 kg (39 lbs)

8.4 Elektromagnetische compatibiliteit (EMC)

Richtlijn en verklaring van de fabrikant – elektromagnetische straling

Het apparaat is bedoeld voor gebruik in een elektromagnetische omgeving zoals hieronder aangegeven. De klant of de gebruiker van het apparaat moet zeker stellen dat het in een dergelijke omgeving wordt gebruikt.

Emisietest	Naleving	Elektromagnetische omgeving – richtlijn
RF-emissies CISPR 11	Groep I	Het apparaat gebruikt elektromagnetische energie uitsluitend voor de interne functies. Daardoor zijn de RF-emissies zeer laag en veroorzaken hoogstwaarschijnlijk geen interferentie in nabije apparaten. Het apparaat is geschikt voor gebruik in alle situaties, inclusief thuissituaties en overal waar het openbare laagspanningsnet de stroom levert voor huishoudelijke doeleinden.
RF-emissies CISPR 11	Klasse B	
Harmonische emissies IEC 61000-3-2	Klasse A	
Spanningsfluctuaties/ flikkeremissies IEC 61000-3-3	Voldoet	


Richtlijn en verklaring van de fabrikant – elektromagnetische immuniteit

Het apparaat is bedoeld voor gebruik in een elektromagnetische omgeving zoals hieronder aangegeven. De klant of de gebruiker van het apparaat moet zeker stellen dat het in een dergelijke omgeving wordt gebruikt.

Immuniteitstest	IEC 60601-testniveau	Niveau van overeenkomst	Elektromagnetische omgeving – richtlijn
Elektrostatische ontlading (ESD) IEC 61000-4-2	± 2, 4, 8 kV contact ± 2, 4, 8, 15 kV lucht	± 2, 4, 8 kV contact ± 2, 4, 8, 15 kV lucht	Vloeren moeten van hout, beton of tegels zijn. Als vloeren zijn bekleed met synthetische vloerbedekking, moet de relatieve vochtigheid minstens 30% zijn.

Snelle elektrische transiënten/burst IEC 61000-4-4	± 2 kV netspanning, 100 kHz	± 2 kV netspanning, 100 kHz	De kwaliteit van de netstroom moet overeenkomen met die van een commerciële omgeving of ziekenhuisomgeving.
Overspanning IEC 61000-4-5	± 1 kV kabel(s) naar kabel(s) ± 2 kV kabel(s) naar aarde	± 1 kV kabel(s) naar kabel(s) ± 2 kV kabel(s) naar aarde	De kwaliteit van de netstroom moet overeenkomen met die van een commerciële omgeving of ziekenhuisomgeving.
Spanningsdips IEC 61000-4-11	$0\% U_T$; 1/2 cyclus op $0^\circ, 45^\circ, 90^\circ, 135^\circ, 180^\circ, 225^\circ, 270^\circ$ en 315° en $0\% U_T$; 1 cyclus en $70\% U_T$; 25/30 cycli Enkele fase: bij 0°	$0\% U_T$; 1/2 cyclus op $0^\circ, 45^\circ, 90^\circ, 135^\circ, 180^\circ, 225^\circ, 270^\circ$ en 315° en $0\% U_T$; 1 cyclus en $70\% U_T$; 25/30 cycli Enkele fase: bij 0°	De kwaliteit van de netstroom moet overeenkomen met die van een commerciële omgeving of ziekenhuisomgeving. Als de gebruiker van het apparaat continue beschikbaarheid vereist gedurende netspanningsonderbreking, wordt aangeraden het apparaat van voeding te voorzien met een noodstroomvoorziening (UPS, Uninterruptable Power Supply) of een accu. U_T is de netspanning vóór toepassing van de test.
Spanningsonderbrekingen IEC 61000-4-11	$0\% U_T$; 250/300 cycli	$0\% U_T$; 250/300 cycli	De kwaliteit van de netstroom moet overeenkomen met die van een commerciële omgeving of ziekenhuisomgeving. Als de gebruiker van het apparaat continue beschikbaarheid vereist gedurende netspanningsonderbreking, wordt aangeraden het apparaat van voeding te voorzien met een noodstroomvoorziening (UPS, Uninterruptable Power Supply) of een accu. U_T is de netspanning vóór toepassing van de test.

Magnetisch veld van netstroomfrequentie (50/60 Hz) IEC 61000-4-8	30 A/m, 50/60 Hz	30 A/m, 50/60 Hz	Magnetische velden van de netspanningsfrequentie moeten op een niveau liggen dat kenmerkend is voor een typische commerciële omgeving of ziekenhuisomgeving.
---	------------------	------------------	--

<p>Geleidings-RF IEC 61000-4-6</p>	<p>3 Vrms, 6 Vrms</p>	<p>3 Vrms, 6 Vrms</p>	<p>Gebruik draagbare en mobiele communicatieapparatuur niet dichterbij onderdelen van het apparaat, inclusief snoeren, dan de aanbevolen afstand zoals berekend op basis van de vergelijking die van toepassing is op de zenderfrequentie.</p> <p>Aanbevolen afstand:</p> <p>$d = 1,2\sqrt{P}$ 150 kHz - 80 MHz</p>
<p>Stralings-RF IEC 61000-4-3</p>	<p>10 V/m</p>	<p>10 V/m</p>	<p>$d = 0,35\sqrt{P}$ 80 MHz - 800 MHz $d = 0,7\sqrt{P}$ 800 MHz - 2,5 GHz</p> <p>waarbij P het maximale uitgangsvermogen van de zender is in watt (W), volgens de specificatie van de zenderfabrikant en d de aanbevolen onderlinge afstand in meter (m).</p> <p>De veldsterkte van vaste RF-zenders, zoals die is bepaald bij een onderzoek van de elektromagnetische omgeving^a moet kleiner zijn dan het toegestane niveau binnen elk frequentiegebied.^b</p> <p>Interferentie kan optreden in de nabijheid van apparatuur met het volgende symbool:</p> 

^a Veldsterktes van vaste zenders, zoals basisstations voor draadloze telefonie, mobil telefoons, amateurzenders, AM- en FM-radiozenders en tv-zenders kunnen niet nauwkeurig theoretisch worden voorspeld. Om de invloed van vaste RF-zenders op de elektromagnetische omgeving te bepalen, moet een elektromagnetisch veldonderzoek worden overwogen. Indien de gemeten veldsterkte op de locatie waar het apparaat wordt gebruikt, de eerdergenoemde toegestane elektromagnetische waarden overstijgt, moet het apparaat worden geobserveerd om normaal functioneren vast te stellen. Als abnormaal functioneren wordt geconstateerd, zijn wellicht extra maatregelen nodig, zoals het draaien of verplaatsen van het apparaat.

^b Binnen het frequentiegebied van 150 kHz tot 80 MHz moet de veldsterkte lager zijn dan [V1] V/m.

Bij 80 MHz en 800 MHz zijn de daarboven gelegen frequentiegebieden van toepassing.

Aanbevolen minimum afstanden tussen draagbare en mobiele RF-communicatieapparatuur en het apparaat

Het apparaat is geschikt voor gebruik in een elektromagnetische omgeving waarin RF-stralingsstoringen onder controle zijn. De klant of de gebruiker van het apparaat kan elektromagnetische interferentie helpen voorkomen door een minimumafstand te bewaren tussen draagbare/mobiele RF-communicatieapparatuur (zenders) en het apparaat, zoals hieronder aanbevolen, rekening houdend met het maximale uitgangsvermogen van de communicatieapparatuur

Opgegeven maximumuitvoer van de zender [W]	Onderlinge afstand overeenkomend met zenderfrequentie [m]		
	150 kHz - 80 MHz d = 1,2VP	80 MHz - 800 MHz d = 0,35VP	800 MHz - 2,5 GHz d = 0,7VP
0,01	0,12	0,04	0,07
0,1	0,37	0,11	0,22
1	1,17	0,35	0,70
10	3,69	1,11	2,21
100	11,67	3,50	7,00

Voor zenders met een maximumuitgangsvermogen dat hier niet wordt genoemd, kan de aanbevolen afstand d in meter (m) worden geschat met behulp van de vergelijking die van toepassing is op de zenderfrequentie, waarbij P het maximumuitgangsvermogen in Watt (W) is van de zender volgens specificaties van de fabrikant.

Bij 80 MHz en 800 MHz is de scheidingsafstand voor de daarboven gelegen frequentiegebieden van toepassing.



Deze richtlijnen zijn mogelijk niet in alle omstandigheden van toepassing. Elektromagnetische straling wordt beïnvloed door absorptie en reflectie van structuren, objecten en mensen.

Índice

Este manual TEM de ser fornecido ao utilizador do produto. ANTES de utilizar este produto, este manual DEVE ser lido e guardado para referência futura.

1 Geral	.272
1.1 Símbolos	.272
1.2 Utilização prevista	.274
1.3 Indicações de utilização	.275
1.4 Peças de substituição	.275
1.5 Contraindicações	.275
1.6 Garantia	.275
2 Segurança	.276
2.1 Diretrizes globais	.276
2.2 Localizações dos rótulos	.280
2.3 Informações do fornecedor	.282
2.4 Produtos com duplo isolamento	.282
2.5 Informações de EMC	.282
3 Configuração	.284
3.1 Desempacotamento	.284
3.2 Lista de verificação da configuração inicial do compressor	.284
3.3 Escolher uma localização	.285
3.4 Transportar o compressor	.286
3.5 Instalar o cabo de alimentação	.286
3.6 Ligar o compressor ao concentrador	.287
3.6.1 Ligar o compressor a concentradores da Invacare	.287
3.6.2 Ligar o compressor a concentradores não pertencentes à Invacare	.287
4 Utilização	.288
4.1 Lista de verificação de funcionamento do compressor	.288
4.2 Inspeção de pré-enchimento do cilindro	.289
4.3 Ligar o cilindro ao compressor	.291

4.4 Desligar o cilindro do compressor	.293
4.5 Ligar e desligar o compressor	.294
5 Manutenção	.297
5.1 Informações sobre manutenção	.297
5.2 Desgaste	.297
5.3 Vida útil	.297
5.4 Limpar o filtro do compressor	.297
5.5 Limpar o compartimento	.298
5.6 Substituir o fusível	.299
6 Após a utilização	.300
6.1 Eliminação	.300
7 Resolução de problemas	.301
7.1 Luzes indicadoras	.301
7.2 Resolução de problemas	.303
8 Características Técnicas	.307
8.1 Descrição técnica	.307
8.2 Tempos de enchimento dos cilindros	.307
8.3 Especificações	.308
8.4 Compatibilidade eletromagnética (EMC)	.309

1 Geral

1.1 Símbolos

Símbolos utilizados neste manual

Este manual inclui palavras de sinalização que se aplicam a riscos ou práticas perigosas que podem resultar em lesões pessoais ou danos à propriedade. Consulte as informações abaixo para obter as definições das palavras de sinalização.



PERIGO!

– O perigo indica uma situação iminentemente perigosa que, se não for evitada, resulta em morte ou lesões graves.



ADVERTÊNCIA!

– Uma advertência indica uma situação potencialmente perigosa que, se não for evitada, poderá resultar em morte ou em lesões graves.



ATENÇÃO!

– Precaução indica uma situação potencialmente perigosa que, se não for evitada, pode resultar em danos materiais, lesões ligeiras ou ambos.



IMPORTANTE

– Indica uma situação perigosa que, se não for evitada, poderá resultar em danos à propriedade.




Fornecer sugestões, recomendações e informações úteis para uma utilização eficiente e sem problemas.

Símbolos no produto

Os símbolos seguintes podem ser encontrados no compressor, na embalagem do compressor ou no cilindro de oxigénio.



Ler o manual (compressor)

 O fundo do símbolo tem a cor azul nas etiquetas do produto.



Ler o manual (cilindro)



Risco de choque elétrico



Corrente alternada



Equipamento do tipo BF — Peças aplicadas



Interruptor de alimentação ligado



Interruptor de alimentação desligado



NÃO fumar



Não expor a chamas descobertas



Classe II, duplo isolamento. Consulte o tópico Produtos com duplo isolamento na secção Segurança do manual.



Manter seco no transporte ou armazenamento e durante a utilização

IP21

Proteção contra objetos estranhos sólidos com 12,5 mm de diâmetro e maiores.


Proteção contra a queda vertical de gotas de água.



Fusível




Oxidante

 O fundo do símbolo tem a cor amarela nas etiquetas do produto.



Gás não inflamável, do tipo classe 2 (oxigénio)

 O fundo do símbolo tem a cor verde nas etiquetas do produto.



Temperatura de transporte e armazenamento



Humidade de transporte e armazenamento



Recicle este produto. Consulte o tópico Eliminação de equipamento e acessórios na secção Após a utilização do manual.



Cumpra as Diretivas da UE aplicáveis, incluindo a Diretiva relativa a dispositivos médicos (MDD) (93/42/EEC)



Representante Autorizado na Comunidade Europeia



Fabricante

1.2 Utilização prevista

O compressor HomeFill da Invacare foi concebido para ser utilizado apenas com concentradores de oxigénio que cumpram as especificações de entrada listadas em 8.3 *Especificações, página 308*

NÃO utilize o compressor HomeFill da Invacare com qualquer outro produto que não um concentrador de oxigénio que cumpra os requisitos de entrada do compressor.

A utilização prevista para um compressor HomeFill da Invacare é a de um dispositivo acessório para um concentrador de oxigénio que permite ao paciente encher novamente cilindros de oxigénio portáteis personalizados para uso pessoal.

Este produto destina-se a ser utilizado apenas por um paciente em ambiente interior de cuidados ao domicílio e não deve ser utilizado para reenchimento de outros cilindros.

Para trabalhar com o produto, não é necessário nenhum conhecimento ou formação específicos, para além das instruções contidas neste manual.

Não se destina à administração de terapia com oxigénio durante o reenchimento.

Este produto destina-se a ser utilizado por um adulto ou sob a supervisão de um adulto somente depois de se terem lido e compreendido as instruções e advertências neste manual de utilização.



ADVERTÊNCIA!

- A utilização deste dispositivo está limitada ao reenchimento dos cilindros de oxigénio do paciente. Os cilindros designados SÓ PODEM ser utilizados pelo paciente específico a quem é administrado oxigénio e não devem ser distribuídos a outros indivíduos para qualquer outro fim.
- Não está indicada qualquer outra utilização para este dispositivo.

1.3 Indicações de utilização

Fornecidas para permitir ao paciente encher novamente os cilindros de oxigénio portáteis personalizados para uso pessoal.

1.4 Peças de substituição

A Invacare disponibiliza as seguintes peças de substituição:

- Linha de alimentação, número de peça 1105177
- Cabo de alimentação, número de peça 1085605



Estas peças são modelos básicos. Contacte a Invacare ou o seu fornecedor para obter os números de peça específicos do país.

1.5 Contraindicações

Não existem nenhuma contraindicações conhecidas.

1.6 Garantia

Os termos e condições da garantia fazem parte dos termos e condições gerais específicos de cada país em que este produto é vendido.

2 Segurança

2.1 Diretrizes globais



PERIGO!

Risco de morte, lesões ou danos

A utilização incorreta do produto pode causar morte, lesões ou danos. Esta secção contém informações importantes para o funcionamento e utilização seguros deste produto.

- NÃO utilize este produto ou qualquer equipamento opcional disponível sem primeiro ler e compreender estas instruções e todo o material de instrução adicional, assim como os manuais de utilização, os manuais de assistência ou os folhetos informativos fornecidos com este produto ou com o equipamento opcional.
- Se não compreender as advertências, avisos ou instruções, contacte um profissional de cuidados de saúde, o fornecedor ou a equipa técnica antes de tentar utilizar este equipamento.
- Verifique se existem danos em TODOS os componentes externos e na embalagem. Em caso de danos ou se o produto não estiver a funcionar corretamente, contacte um técnico ou a Invacare para se proceder à reparação.



PERIGO!

Risco de morte, lesões ou danos

A utilização incorreta do produto pode causar morte, lesões ou danos. Esta secção contém informações importantes para o funcionamento e utilização seguros deste produto.

- Para garantir uma instalação, montagem e funcionamento seguros do compressor HomeFill, TEM de seguir estas instruções.
- AS INFORMAÇÕES CONTIDAS NESTE DOCUMENTO PODEM SER ALTERADAS SEM AVISO PRÉVIO.



PERIGO!

Risco de morte, lesões ou danos devido a incêndio

Têxteis, óleos ou substâncias petrolíferas, lubrificantes, substâncias lubrificantes e outros combustíveis são facilmente inflamáveis e ardem com grande intensidade em ambiente rico em oxigénio e quando em contacto com oxigénio sob pressão. Para evitar incêndios, morte, lesões ou danos:

- NÃO FUME durante a utilização deste dispositivo.
- NÃO o utilize perto de CHAMAS ABERTAS nem de FONTES DE IGNIÇÃO.
- NÃO utilize quaisquer lubrificantes no compressor salvo os recomendados pela Invacare.
- Os sinais de PROIBIDO FUMAR devem estar bem visíveis.

**PERIGO!****Risco de morte, lesões ou danos devido a incêndio**

Têxteis, óleos ou substâncias petrolíferas, lubrificantes, substâncias lubrificantes e outros combustíveis são facilmente inflamáveis e ardem com grande intensidade em ambiente rico em oxigénio e quando em contacto com oxigénio sob pressão. Para evitar incêndios, morte, lesões ou danos:

- Evite a formação de faíscas próximas de equipamentos de oxigénio. Isto inclui faíscas de eletricidade estática originadas por qualquer tipo de fricção.
- Mantenha todos os fósforos, cigarros acesos ou outras fontes de ignição longe do quarto onde se encontra o compressor e também longe do local de administração de oxigénio.
- Não cubra o tubo de oxigénio, o cabo de alimentação e o compressor com cobertores, colchas, almofadas de cadeiras ou roupa, e mantenha-os afastados de superfícies quentes ou aquecidas, incluindo aquecedores elétricos, fornos e eletrodomésticos com características semelhantes.

**PERIGO!****Risco de morte, lesões ou danos devido a incêndio**

Têxteis, óleos ou substâncias petrolíferas, lubrificantes, substâncias lubrificantes e outros combustíveis são facilmente inflamáveis e ardem com grande intensidade em ambiente rico em oxigénio e quando em contacto com oxigénio sob pressão. Para evitar incêndios, morte, lesões ou danos:

- NÃO PERMITA que o encaixe do compressor ou os acessórios do cilindro entrem em contacto com óleo presente nas mãos do utilizador ou noutras fontes. Estas substâncias podem tornar-se inflamáveis na presença de oxigénio e causar lesões. Sempre que possível, evite tocar no encaixe do cilindro. Alguns produtos a evitar são loções ou cremes para as mãos, óleos de cozinha, óleos de bronzear ou cremes de proteção solar, e outros produtos oleosos semelhantes. Se utilizar estes tipos de produto, a Invacare sugere que o utilizador lave as mãos antes de utilizar a unidade HomeFill. Caso o encaixe do cilindro entre em contacto com tais substâncias, este deve ser limpo com um pano húmido antes de ser ligado ao compressor.



PERIGO!

Risco de morte, lesões ou danos devido a incêndio

Têxteis, óleos ou substâncias petrolíferas, lubrificantes, substâncias lubrificantes e outros combustíveis são facilmente inflamáveis e ardem com grande intensidade em ambiente rico em oxigénio e quando em contacto com oxigénio sob pressão. Para evitar incêndios, morte, lesões ou danos:

- NUNCA oleie nem lubrifique o acoplamento do compressor ou os encaixes do cilindro. NUNCA utilize nenhum óleo penetrante ou lubrificante como o WD-40® ou 3-in-1 Oil®. Se tiver dificuldades com a ligação, verifique se o encaixe do cilindro está a ser inserido diretamente no acoplamento do compressor. Se continuar a ter dificuldades, contacte o seu fornecedor para solicitar assistência técnica.



PERIGO!

Risco de choque elétrico

Esta unidade contém componentes móveis e de alta pressão. Não inclui peças passíveis de assistência pelo utilizador dentro da tampa. Para evitar um choque elétrico, lesões ou morte:

- NÃO retire a tampa.
- Reencaminhe a reparação para técnicos de assistência qualificados.



ADVERTÊNCIA!

Risco de lesão grave ou danos

A utilização de acessórios NÃO fabricados pela Invacare pode resultar em lesões graves ou danos.

- Os produtos da Invacare foram especificamente concebidos e fabricados para serem utilizados em conjunto com acessórios da Invacare. Os acessórios concebidos por outros fabricantes não foram testados pela Invacare e não são recomendados para utilização com produtos Invacare.
- Não é permitida qualquer modificação deste equipamento.
- NÃO utilize acessórios não fabricados pela Invacare.
- Para obter acessórios da Invacare, contacte a Invacare por telefone ou em www.invacare.com.



ADVERTÊNCIA!

Risco de lesões ou danos

O bloqueio do fluxo de ar para dentro e para fora do compressor pode causar lesões ou danos.

- NUNCA bloqueie as entradas de ar do produto nem o coloque numa superfície mole como, por exemplo, uma cama ou sofá, onde as entradas de ar possam ser bloqueadas.
- Mantenha as entradas sem fios, cabelos e matérias estranhas semelhantes.

**ADVERTÊNCIA!****Risco de lesões ou danos**

Um produto danificado pode avariar e causar lesões ou danos. Para evitar lesões ou danos:

- Não permita que o compressor se molhe.
- Se o compressor tiver o cabo ou a ficha danificada, se não estiver a funcionar corretamente, se tiver caído ou estiver danificado, ou tiver ficado submerso em água, contacte um técnico qualificado para este efetuar uma avaliação e reparação.

**ADVERTÊNCIA!****Risco de lesões ou danos**

O HomeFill está equipado com uma válvula de descarga de alta pressão, para garantir a segurança do utilizador. Quando ativada, esta funcionalidade de segurança emite um ruído extremamente forte. Para evitar lesões ou danos:

- Se ouvir este ruído, desligue a unidade e contacte o seu prestador de cuidados de saúde ao domicílio ou o representante da assistência.

**ADVERTÊNCIA!**

- NÃO utilize o compressor no exterior.

Destina-se apenas para utilização no interior.

- Se for detetada qualquer fuga de oxigénio do cilindro, NÃO o tente utilizar. Desligue o botão seletor de fluxo do regulador. Se a fuga persistir, coloque o cilindro no exterior e contacte o seu prestador de cuidados de saúde ao domicílio ou o representante da assistência desta condição.
- As crianças devem ser SEMPRE vigiadas quando estiverem junto da unidade HomeFill. Se utilizar o HomeFill numa mesa ou em superfícies elevadas de apoio similares, uma criança pode pendurar-se, fazendo cair a unidade. O incumprimento desta advertência pode resultar em danos pessoais ou no produto.

**ADVERTÊNCIA!****Risco de morte, lesões ou danos**

Se ficar mal posicionado e fixado, o cabo de alimentação e o cabo de interligação podem provocar lesões devido a tropeções, quedas e estrangulamento. Também podem ocorrer danos no produto.

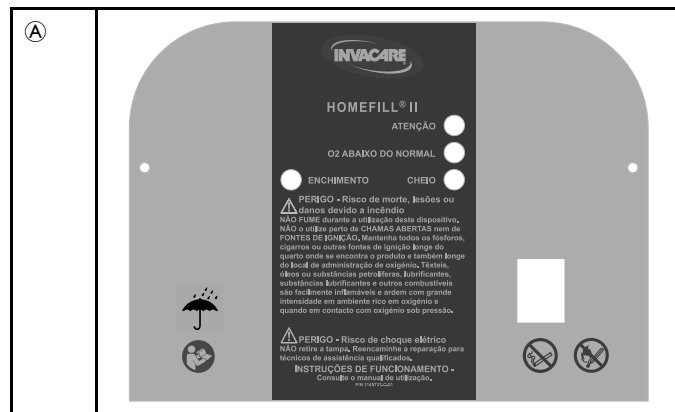
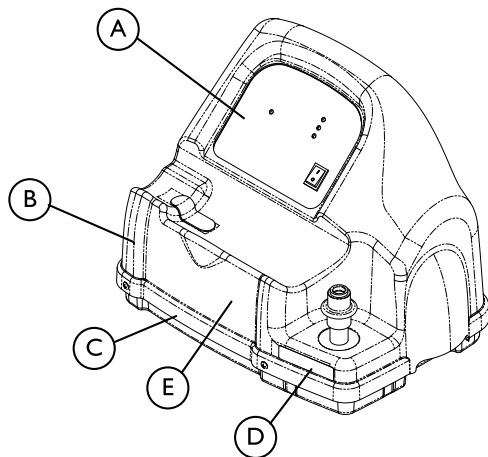
- Armazene e posicione corretamente o tubo e/ou os cabos elétricos para evitar perigos de tropeção e estrangulamento.
- Evite colocar os cabos de alimentação em áreas de grande tráfego.
- Antes de mover ou reposicionar o compressor ou o concentrador, desligue SEMPRE os cabos de alimentação de CA e o cabo de interligação entre o compressor e o concentrador.

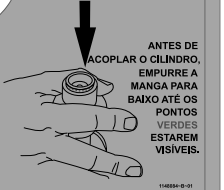


ATENÇÃO!

A lei estatutária restringe a venda deste dispositivo a ou mediante receita médica de um profissional médico licenciado pela agência governamental na qual exerça a atividade médica.
 – APENAS um profissional médico licenciado pode encomendar a compra ou utilização deste dispositivo.

2.2 Localizações dos rótulos



B	<p>⚠ DANGER Risk of Death, Injury or Damage from Fire Keep all connections free of oil and grease to avoid violent ignition. See user manual before cleaning. 1075220-D-00</p>
C	<p>⚠ DANGER Risk of Electric Shock DO NOT REMOVE UNIT COVER This unit contains moving and high pressure components. Manufacturer Service Only. 1075221-C-01</p>
D	<p>⚠ DANGER Risk of Death, Injury or Damage from Fire Keep all connections free of oil and grease to avoid violent ignition. See user manual before cleaning. Never oil or lubricate coupling. Cylinders filled on this unit MUST be labeled "Contents of this cylinder are the product of an oxygen concentrator." 1075238-D-00</p>
E	<p>⚠ PERIGO</p> <p>Risco de morte, lesões ou danos devido a incêndio Mantenha todas as ligações limpas de óleo e gordura para evitar uma ignição violenta. Consulte o manual de utilização antes de proceder à limpeza. Nunca oleie nem lubrifique o acoplamento. Os cilindros cheios desta unidade DEVEM ter a etiqueta "O conteúdo deste cilindro é produto de um concentrador de oxigénio."</p> <p>Risco de choque elétrico NÃO RETIRE A TAMPA DA UNIDADE Esta unidade contém componentes móveis e de alta pressão. Apenas assistência por parte do fabricante.</p>  <p>ANTES DE ACOPLAR O CILINDRO, EMPURRE A MANGA PARA BAIXO ATÉ OS PONTOS VERDES ESTAREM VISÍVEIS.</p> <p>1148896-D-01</p>

2.3 Informações do fornecedor



A Invacare recomenda deixar um cilindro cheio de oxigénio com o paciente depois de preparar o compressor HomeFill.

Antes de deixar um Compressor HomeFill com um utilizador, a seguinte lista de verificação TEM de ser preenchida:

- Certifique-se de que o teste de pressão no cilindro não expirou.
- Consulte a secção EMC para obter informações sobre o funcionamento e eventuais problemas de RF. Consulte as Informações de EMC.
- Instrua o utilizador sobre o funcionamento seguro do concentrador e reveja todas as advertências.
- Instrua o utilizador sobre o funcionamento seguro do compressor HomeFill e reveja todas as advertências.
- Deixe um cilindro cheio de oxigénio com o utilizador.
- Deixe uma cópia de todos os avisos e instruções de enchimento com o utilizador.

2.4 Produtos com duplo isolamento



ATENÇÃO!

– NÃO desligue o cabo de alimentação puxando pelo cabo. Para desligar, agarre na ficha e não no cabo, caso contrário podem ocorrer danos.

Num produto com duplo isolamento, são fornecidos dois sistemas de isolamento em vez de ligação à terra. Não são necessários meios de ligação à terra num produto com duplo isolamento, nem é necessário adicionar um meio de ligação à terra ao produto. Um produto com duplo isolamento está

assinalado com as palavras "DOUBLE INSULATION" (duplo isolamento) ou "DOUBLE INSULATED" (duplamente isolado) ou apresenta o símbolo:



2.5 Informações de EMC



ADVERTÊNCIA!

Risco de lesões ou danos

Para reduzir o risco de lesões ou danos no produto devido a interferências com equipamento sem fios:

- Mantenha o compressor a pelo menos 3 metros (9,8 pés) de distância de equipamento de comunicação sem fios, tais como dispositivos de rede domésticos sem fios, telemóveis, telefones sem fios e as respetivas estações base, walkie-talkies, etc.



ADVERTÊNCIA!

– A utilização de outros acessórios e cabos para além dos especificados ou fornecidos pela Invacare pode resultar no aumento de emissões eletromagnéticas ou na redução da imunidade eletromagnética deste equipamento e resultar em problemas de funcionamento.

O equipamento elétrico médico deve ser instalado e utilizado de acordo com as informações de EMC incluídas neste manual.

Este equipamento foi testado e considerado em conformidade com os limites EMC especificados pela norma IEC/EN 60601-1-2 para o equipamento de tipo BF. Estes limites são determinados para fornecer uma proteção razoável contra interferência eletromagnética num ambiente típico de cuidados de saúde ao domicílio. A utilização deste equipamento num ambiente com níveis de interferência mais elevados pode afetar a precisão da concentração de oxigénio no cilindro. Este equipamento não se destina a ser utilizado num ambiente de cuidados de saúde profissional.

Os dispositivos de comunicação por RF portáteis e móveis podem afetar o funcionamento deste equipamento. O compressor pode ser empilhado por cima de um concentrador de oxigénio compatível HomeFill da Invacare durante a instalação. O funcionamento do compressor deve ser observado para confirmar o enchimento normal do cilindro em qualquer das situações.

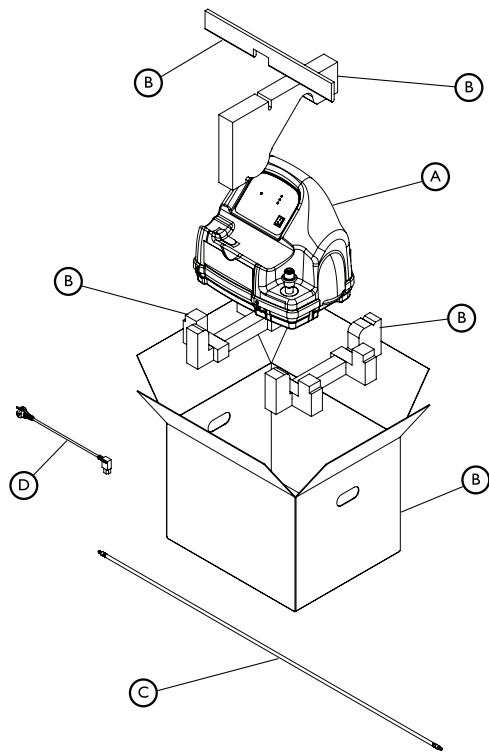
Outros dispositivos poderão sofrer interferências mesmo com os baixos níveis de emissões eletromagnéticas permitidos pela norma acima mencionada. Para determinar se as emissões do compressor estão a provocar interferência, desligue-o. Se a interferência com o funcionamento do outro dispositivo parar, significa que o compressor está a causar a interferência. Nesses casos raros, poderá reduzir ou corrigir a interferência tomando uma das seguintes medidas:

- Reposicionar, mudar de sítio ou aumentar o espaço entre os dispositivos.
- Ligar a alimentação de cada dispositivo a uma tomada de circuito elétrico diferente.

Para obter informações adicionais, consulte *8.4 Compatibilidade eletromagnética (EMC)*,
página 309

3 Configuração

3.1 Desempacotamento



DESCRIÇÃO	
Unidade do compressor	A
Unidade da embalagem	B
Unidade da linha de alimentação	C
Cabo de alimentação	D
Manual de Utilização (não mostrado)	N/D

1. Verifique se existem danos visíveis na embalagem ou no seu conteúdo. Em caso de evidência de danos, notifique a transportadora ou o seu fornecedor local.
2. Retire toda a embalagem solta da caixa.
3. Retire cuidadosamente todos os componentes da caixa.



A menos que pretenda utilizar **IMEDIATAMENTE** o compressor, deixe-o armazenado na embalagem até ser necessário.

3.2 Lista de verificação da configuração inicial do compressor



APENAS fornecedores — Consulte o tópico Informações do fornecedor na secção Segurança deste manual antes de efetuar este procedimento.



APENAS utilizadores — Contacte o seu fornecedor da Invacare ou a Invacare para obter assistência com o procedimento de configuração e comunicar operações ou eventos inesperados.

Antes de utilizar o Compressor HomeFill pela primeira vez, preencha a seguinte lista de verificação:

- Escolher uma localização para o compressor.
- Transportar o compressor para a localização pretendida.
- Ligar o cabo de alimentação ao compressor.
- Ligar o compressor ao concentrador.

3.3 Escolher uma localização



PERIGO!

Risco de morte, lesões ou danos devido a incêndio

Têxteis, óleos ou substâncias petrolíferas, lubrificantes, substâncias lubrificantes e outros combustíveis são facilmente inflamáveis e ardem com grande intensidade em ambiente rico em oxigénio e quando em contacto com oxigénio sob pressão. Para evitar incêndios, morte, lesões ou danos:

- NÃO FUME durante a utilização deste dispositivo.
- NÃO o utilize perto de CHAMAS ABERTAS nem de FONTES DE IGNIÇÃO.
- NÃO utilize quaisquer lubrificantes no compressor salvo os recomendados pela Invacare.
- Os sinais de PROIBIDO FUMAR devem estar bem visíveis.
- Evite a formação de faíscas próximas de equipamentos de oxigénio. Isto inclui faíscas de eletricidade estática originadas por qualquer tipo de fricção.

- Mantenha todos os fósforos, cigarros acesos ou outras fontes de ignição longe do quarto onde se encontra o compressor e também longe do local de administração de oxigénio.
- Não cubra o tubo de oxigénio, o cabo de alimentação e o compressor com cobertores, colchas, almofadas de cadeiras ou roupa, e mantenha-os afastados de superfícies quentes ou aquecidas, incluindo aquecedores elétricos, fornos e eletrodomésticos com características semelhantes.

O compressor deve estar a uma distância mínima de 7,6 cm (3 polegadas) das paredes, cortinados ou mobília para assegurar um fluxo de ar suficiente.

Evite colocar o compressor junto de aquecedores, radiadores ou grelhas de ar quente.

NÃO o utilize dentro de um armário.

O compressor deve ser colocado numa superfície estável plana e rígida, tal como uma mesa ou o Ready Rack.



O HomeFill Ready Rack é vendido em separado e utilizado para posicionar o compressor HomeFill sobre um concentrador de oxigénio Perfecto₂ ou Platinum®. Para obter mais informações, consulte a folha de instruções do HomeFill Ready Rack, número de peça 1148363 e 1134824.

3.4 Transportar o compressor



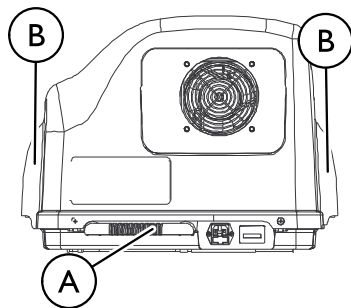
ADVERTÊNCIA!

– NUNCA transporte um compressor com um cilindro ligado ou armazenado no compressor; caso contrário, poderão ocorrer lesões ou danos.



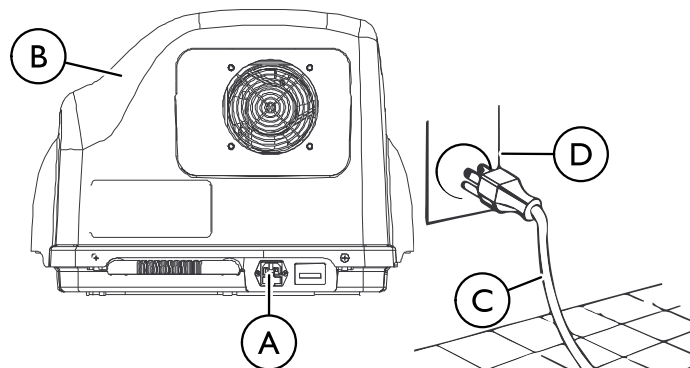
ATENÇÃO!

– Ao transportar, cuidado para não embater com o compressor ou os conectores contra obstáculos. Caso contrário, poderão ocorrer danos no compressor.



- Existem dois métodos para transportar o compressor em segurança:
 - Com uma mão - Segure na pega **A** na parte posterior inferior do compressor.
 - Com duas mãos - Segure nas pegas **B** nas partes laterais do compressor.

3.5 Instalar o cabo de alimentação



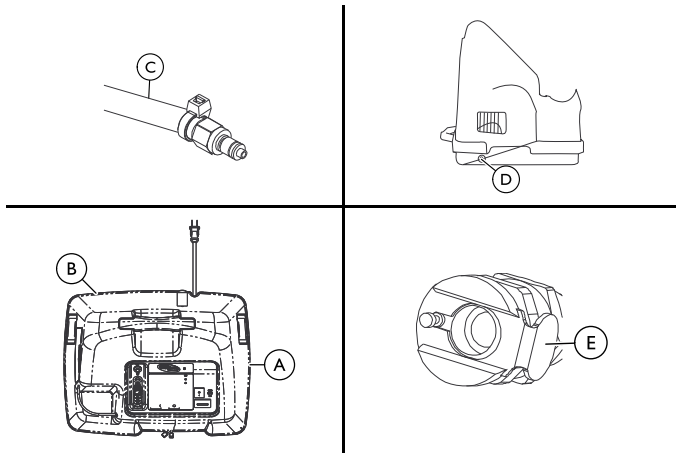
- Escolha uma localização adequada. Consulte o tópico Escolher uma localização nesta secção do manual.
- Certifique-se de que o interruptor de alimentação está na posição de desligado (O).
- Ligue o cabo de alimentação ao conector elétrico **A** na parte posterior do compressor **B**.
- Ligue a extremidade oposta do cabo de alimentação **C** à tomada de parede **D**.
- Deixe uma folga mínima de 7,6 cm (3 pol.) para as extremidades do cabo de alimentação de modo a poder desligar facilmente.



A entrada de alimentação funciona como o principal dispositivo de desconexão para suprimir toda a alimentação à unidade quando o cabo é desligado.

3.6 Ligar o compressor ao concentrador

3.6.1 Ligar o compressor a concentradores da Invacare



1. Insira uma extremidade do cabo de interligação © no encaixe de saída ʙ, na parte posterior do concentrador ʌ.
2. Insira a extremidade oposta do cabo de interligação no encaixe de entrada ʄ na parte lateral do compressor.



As patilhas metálicas ʑ no encaixe de saída do concentrador e no encaixe de entrada do compressor saltam com um "clique" quando a extremidade do cabo de interligação estiver devidamente encaixada.

3.6.2 Ligar o compressor a concentradores não pertencentes à Invacare

1. Consulte as especificações do gás de saída no manual de utilização do concentrador de oxigénio para verificar a compatibilidade com os requisitos de gás de entrada do compressor HomeFill listados em 8.3 *Especificações, página 308*.
2. Consulte o manual de utilização do concentrador de oxigénio para obter as instruções de ligação.

4 Utilização

4.1 Lista de verificação de funcionamento do compressor

Sempre que usar o compressor HomeFill para encher um cilindro, preencha a seguinte lista de verificação:

- Certifique-se de que o concentrador está ligado há pelo menos trinta minutos. Consulte o Manual de Utilização do concentrador.
- Realize a inspeção de pré-enchimento do cilindro.
- Ligue o cilindro ao compressor.
- Prima o interruptor de alimentação do compressor para a posição de ligado (O).
- Examine as luzes indicadoras no painel de controlo.
- Desligue e retire o cilindro completo.
- Prima o interruptor de alimentação do compressor para a posição de desligado (O).
- Se encher outro cilindro, repita esta lista de verificação.

4.2 Inspeção de pré-enchimento do cilindro



ADVERTÊNCIA!

- Utilize APENAS cilindros com a ligação Invacare HomeFill II e a etiqueta do sistema HomeFill II.
- Todos os cilindros TÊM de ser inspecionados antes de se iniciar o enchimento. Caso contrário, podem ocorrer lesões ou danos.

Para identificar um cilindro HomeFill II compatível (A), certifique-se de que tem uma risca preta (B) na parte superior do cilindro e a etiqueta do sistema HomeFill II (C).

<p>GB UN3875 CLASS 2.1 O.D.A.D. (DANGER) 2200kPa CAT II RID</p> <p>This cylinder is to be used with the HomeFill system. This cylinder contains 9343k oxygen. Bitte dieses System mit dem HomeFill II-System verwenden. Dieses Zylinder enthält 9343k Sauerstoff. This cylinder is to be used with the HomeFill system. This cylinder contains 9343k oxygen. Bitte dieses System mit dem HomeFill II-System verwenden. Dieses Zylinder enthält 9343k Sauerstoff.</p>	<p>F UN3875 CLASS 2.1 O.D.A.D. (DANGER) 2200kPa CAT II RID</p> <p>Cette bouteille doit être utilisée avec le système HomeFill II. Cette bouteille contient 93 43k d'oxygène. Questo cilindro deve essere utilizzato con il sistema HomeFill II. Questo cilindro contiene 93 43k di ossigeno. Dieses Zylinder ist für den Einsatz mit dem HomeFill II-System vorgesehen. Dieses Zylinder enthält 93 43k Sauerstoff. Este cilindro debe utilizarse con el sistema HomeFill II. Este cilindro contiene 93 43k de oxígeno.</p>
<p>CZ UN3875 CLASS 2.1 O.D.A.D. (DANGER) 2200kPa CAT II RID</p> <p>Raději než HomeFill II použijte HomeFill II systém. Tento váleček obsahuje 9343k kyslíku. Preferir HomeFill II a utilizar o sistema HomeFill II. Este cilindro contém oxigênio 9343k. Preferir HomeFill II a utilizar o sistema HomeFill II. Este cilindro contém oxigênio 9343k. Preferir HomeFill II a utilizar o sistema HomeFill II. Este cilindro contém oxigênio 9343k.</p>	<p>I UN3875 CLASS 2.1 O.D.A.D. (DANGER) 2200kPa CAT II RID</p> <p>Questo cilindro deve essere utilizzato con il sistema HomeFill II. Questo cilindro contiene 93 43k di ossigeno. Este cilindro debe utilizarse con el sistema HomeFill II. Este cilindro contiene 93 43k de oxígeno. Dieses Zylinder ist für den Einsatz mit dem HomeFill II-System vorgesehen. Dieses Zylinder enthält 93 43k Sauerstoff. Este cilindro debe utilizarse con el sistema HomeFill II. Este cilindro contiene 93 43k de oxígeno.</p>
<p>DK UN3875 CLASS 2.1 O.D.A.D. (DANGER) 2200kPa CAT II RID</p> <p>Denne beholder skal kun bruges sammen med HomeFill II systemet. Denne beholder indeholder 9343k ilt. Questo cilindro deve essere utilizzato con il sistema HomeFill II. Questo cilindro contiene 93 43k di ossigeno. Este cilindro debe utilizarse con el sistema HomeFill II. Este cilindro contiene 93 43k de oxígeno. Dieses Zylinder ist für den Einsatz mit dem HomeFill II-System vorgesehen. Dieses Zylinder enthält 93 43k Sauerstoff.</p>	<p>NL UN3875 CLASS 2.1 O.D.A.D. (DANGER) 2200kPa CAT II RID</p> <p>Dit apparaat moet alleen gebruikt worden met HomeFill II systeem. Dit apparaat bevat 93 43k zuurstof. Questo cilindro deve essere utilizzato con il sistema HomeFill II. Questo cilindro contiene 93 43k di ossigeno. Este cilindro debe utilizarse con el sistema HomeFill II. Este cilindro contiene 93 43k de oxígeno. Dieses Zylinder ist für den Einsatz mit dem HomeFill II-System vorgesehen. Dieses Zylinder enthält 93 43k Sauerstoff.</p>
<p>D UN3875 CLASS 2.1 O.D.A.D. (DANGER) 2200kPa CAT II RID</p> <p>Das Zylinder ist nur für den Einsatz mit dem HomeFill II-System vorgesehen. Dieses Zylinder enthält 93 43k Sauerstoff. Questo cilindro deve essere utilizzato con il sistema HomeFill II. Questo cilindro contiene 93 43k di ossigeno. Este cilindro debe utilizarse con el sistema HomeFill II. Este cilindro contiene 93 43k de oxígeno. Dieses Zylinder ist für den Einsatz mit dem HomeFill II-System vorgesehen. Dieses Zylinder enthält 93 43k Sauerstoff.</p>	<p>N UN3875 CLASS 2.1 O.D.A.D. (DANGER) 2200kPa CAT II RID</p> <p>Dit apparaat moet alleen gebruikt worden met HomeFill II systeem. Dit apparaat bevat 93 43k zuurstof. Questo cilindro deve essere utilizzato con il sistema HomeFill II. Questo cilindro contiene 93 43k di ossigeno. Este cilindro debe utilizarse con el sistema HomeFill II. Este cilindro contiene 93 43k de oxígeno. Dieses Zylinder ist für den Einsatz mit dem HomeFill II-System vorgesehen. Dieses Zylinder enthält 93 43k Sauerstoff.</p>
<p>E UN3875 CLASS 2.1 O.D.A.D. (DANGER) 2200kPa CAT II RID</p> <p>Este cilindro debe utilizarse con el sistema HomeFill II. Este cilindro contiene 93 43k de oxígeno. Dieses Zylinder ist für den Einsatz mit dem HomeFill II-System vorgesehen. Dieses Zylinder enthält 93 43k Sauerstoff. Este cilindro debe utilizarse con el sistema HomeFill II. Este cilindro contiene 93 43k de oxígeno. Dieses Zylinder ist für den Einsatz mit dem HomeFill II-System vorgesehen. Dieses Zylinder enthält 93 43k Sauerstoff.</p>	<p>PL UN3875 CLASS 2.1 O.D.A.D. (DANGER) 2200kPa CAT II RID</p> <p>Ten cylinder jest przeznaczony do użytku wyłącznie z systemem HomeFill II. Ten cylinder zawiera 93 43k tlenu. Questo cilindro deve essere utilizzato con il sistema HomeFill II. Questo cilindro contiene 93 43k di ossigeno. Este cilindro debe utilizarse con el sistema HomeFill II. Este cilindro contiene 93 43k de oxígeno. Dieses Zylinder ist für den Einsatz mit dem HomeFill II-System vorgesehen. Dieses Zylinder enthält 93 43k Sauerstoff.</p>
<p>FI UN3875 CLASS 2.1 O.D.A.D. (DANGER) 2200kPa CAT II RID</p> <p>Tämä sylinteri on tarkoitettu käytettäväksi ainoastaan yhdessä HomeFill II-järjestelmän kanssa. Tämä sylinteri sisältää 9343k happea. Questo cilindro deve essere utilizzato con il sistema HomeFill II. Questo cilindro contiene 93 43k di ossigeno. Este cilindro debe utilizarse con el sistema HomeFill II. Este cilindro contiene 93 43k de oxígeno. Dieses Zylinder ist für den Einsatz mit dem HomeFill II-System vorgesehen. Dieses Zylinder enthält 93 43k Sauerstoff.</p>	<p>S UN3875 CLASS 2.1 O.D.A.D. (DANGER) 2200kPa CAT II RID</p> <p>Detta cylinder är endast avsedd för användning tillsammans med HomeFill II-systemet. Detta cylinder innehåller 93 43k syre. Questo cilindro deve essere utilizzato con il sistema HomeFill II. Questo cilindro contiene 93 43k di ossigeno. Este cilindro debe utilizarse con el sistema HomeFill II. Este cilindro contiene 93 43k de oxígeno. Dieses Zylinder ist für den Einsatz mit dem HomeFill II-System vorgesehen. Dieses Zylinder enthält 93 43k Sauerstoff.</p>

Oxygen O₂

Authorised Rep. in the EU:
 Invacare Deutschland GmbH
 Altmühlstr. 41 D-52074
 Pöhl, Rheinland, Germany

Manufacturer of the
 Inverse Core
 O2H E, Low Pressure
 System 4L 2072

INVACARE
 PIN 481474-01

Data do teste hidrostático

Os cilindros de alumínio TÊM de ser submetidos a testes de dez em dez anos.



ADVERTÊNCIA!

Risco de lesões

Para reduzir o risco de lesões:

- NÃO encha os cilindros que não tenham sido testados nos últimos dez anos. Caso contrário, podem ocorrer lesões pessoais graves. Contacte o fornecedor do seu equipamento para fins de substituição.

Avaliação externa

1. Examine a parte exterior do cilindro, procurando sinais das seguintes condições e substitua-o, se detetar:
 - Fissuras ou mossas
 - Queimaduras resultantes de arco elétrico
 - Óleo ou gordura
 - Quaisquer outros sinais de danos que possam tornar o cilindro inaceitável ou não seguro para utilização.
2. Examine o cilindro procurando sinais de incêndio ou danos térmicos. Estes sinais incluem carbonização ou bolhas na tinta, ou noutro revestimento de proteção ou indicador sensível ao calor. Caso sejam detetados danos térmicos ou provocados por incêndio, proceda à substituição do cilindro.
3. Inspeccione a unidade de cilindro/regulador em relação ao seguinte e substitua, se detetar:
 - Detritos, óleo ou gordura
 - Sinais evidentes de danos
 - Sinais de corrosão no interior da válvula
 - Sinais de calor excessivo ou danos causados por incêndio

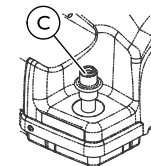
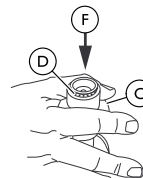
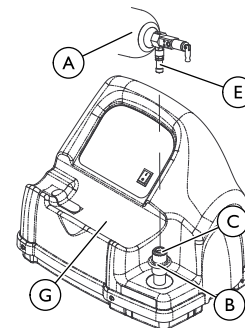
4.3 Ligar o cilindro ao compressor

**ADVERTÊNCIA!**

– NUNCA utilize quaisquer tipos de ferramenta para ligar/desligar o cilindro e o compressor. Caso contrário, podem ocorrer lesões e/ou danos graves.


**ADVERTÊNCIA!**

– NÃO deixe cair os cilindros de oxigénio. Utilize as duas mãos para manusear/transportar os cilindros de oxigénio. Caso contrário, podem ocorrer lesões ou danos.
– NÃO utilize um detetor de derrame de líquidos para procurar fugas.





As proteções da porta de enchimento não são apresentadas para permitir uma maior claridade.

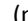
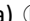
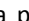
1. Antes de cada utilização, inspecione o produto procurando danos visíveis. Consulte a secção Avaliação externa. Se forem detetados quaisquer danos, NÃO utilize.


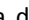

 Se, por alguma razão, uma das etiquetas ficar ilegível ou se perder, contacte o seu fornecedor de equipamento.


2. Examine o indicador do cilindro. Se a pressão do cilindro for inferior a 1500 psig (10.342 kPa), siga para o PASSO 3.


 Para saber onde se encontra o indicador do cilindro, consulte o respetivo manual.
Se a pressão do cilindro for **superior** a 1500 psig (10.342 kPa), NÃO tente encher o cilindro até ao topo. Tal poderá não ser possível.

3. Coloque o interruptor de fluxo do regulador do cilindro  na posição de desligado. Consulte o manual do cilindro.
4. Retire as proteções do cilindro e da porta de enchimento do conector (se estiver presente).

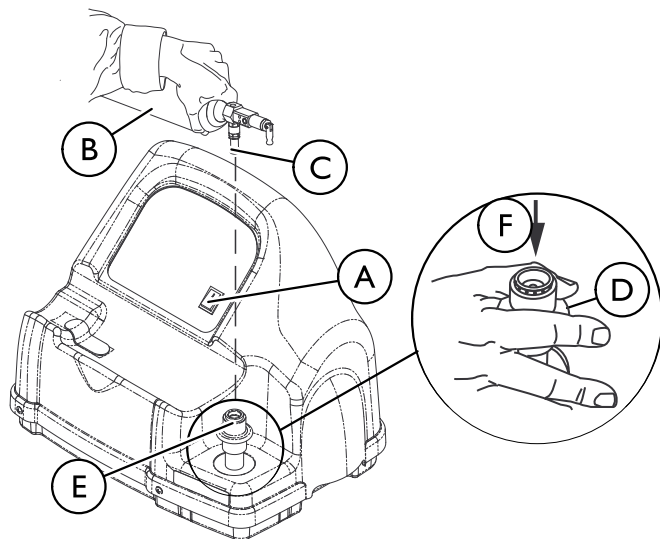
5. Pressione PARA BAIXO brevemente o anel exterior (manga)  da porta de enchimento do conector  até que sejam visíveis pontos VERDES  para repor o conector.

 Se o anel exterior (manga) estiver na posição PARA CIMA (pontos VERDES não visíveis), a porta de enchimento do conector não irá aceitar a porta de enchimento do cilindro . Pressionar PARA BAIXO  brevemente leva à reposição da porta de enchimento do conector (pontos VERDES visíveis) para aceitar a porta de enchimento do cilindro.

6. Agarre no cilindro no ponto atrás da porta de enchimento do cilindro.
7. Coloque o cilindro no suporte do compressor .
8. Alinhe a porta de enchimento do cilindro com a porta de enchimento do conector.
9. Puxe PARA CIMA o anel exterior (manga) da porta de enchimento do conector ao mesmo tempo que pressiona PARA BAIXO o cilindro para unir a porta de enchimento do cilindro à porta de enchimento do conector.

 O cilindro fica corretamente ligado quando se ouve um clique.

4.4 Desligar o cilindro do compressor



3. Com a outra mão, agarre no anel exterior (manga) da porta de enchimento do conector (E) e prima PARA BAIXO (F).
4. Levante o cilindro para retirar a porta de enchimento do conector.

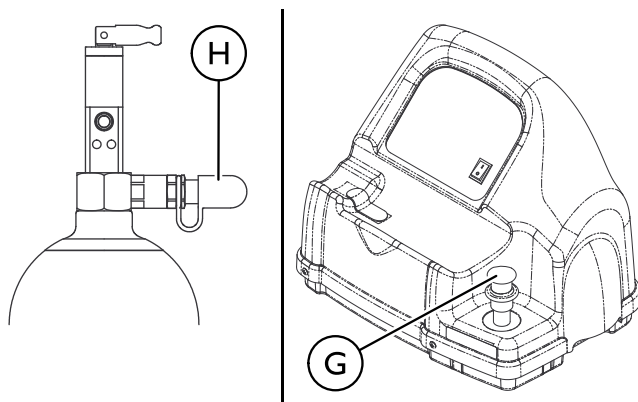


ADVERTÊNCIA!

– NUNCA utilize quaisquer tipos de ferramenta para ligar/desligar o cilindro e o compressor. Caso contrário, podem ocorrer lesões e/ou danos graves.

1. Prima o interruptor de alimentação do compressor (A), colocando-o na posição de desligado (O).
2. Agarre no cilindro (B) no ponto atrás da porta de enchimento de cilindro (C).

- Quando a porta de enchimento do cilindro estiver desligada da porta de enchimento do conector, solte o anel exterior (manga) da porta de enchimento do conector e utilize as duas mãos para retirar o cilindro do suporte do compressor.



ADVERTÊNCIA!

– A proteção da porta de enchimento do conector e da porta de enchimento do cilindro DEVEM ser substituídas depois do enchimento e quando não estiverem a ser utilizadas. Se faltar alguma das proteções da porta de enchimento, contacte o seu prestador de cuidados de saúde antes da utilização.

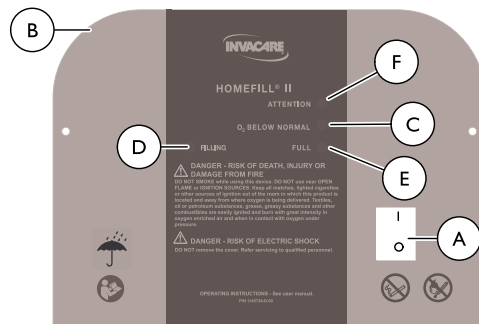
- Coloque as proteções na porta de enchimento do conector **G** e na porta de enchimento do cilindro **H**.




Quando utilizar o cilindro de tipo de válvula posterior, fixe um regulador de oxigénio de acordo com as instruções do fabricante.

- Observe o indicador do cilindro para verificar se o cilindro está cheio (agulha a apontar para a área VERDE). Se o cilindro não estiver cheio, efetue um dos seguintes procedimentos:
 - Repita o tópico Ligar o cilindro ao compressor, nesta secção do manual.
 - Se o cilindro não estiver cheio depois da segunda tentativa de o encher, contacte o fornecedor.


4.5 Ligar e desligar o compressor



- Certifique-se de que o concentrador está ligado. Consulte o Manual de Utilização do concentrador.


 Na tabela abaixo são listadas as taxas de fluxo máximas do concentrador de oxigénio a utilizar pelo paciente. Caso contrário, o nível de oxigénio para o compressor será inferior a 90% e o compressor não irá caber no cilindro.

Concentrador de oxigénio	Fluxo de saída máximo a utilizar pelo paciente
Modelos 5L	2,5 l/min
Modelos 9L	5 l/min


 Os pacientes com um fluxo prescrito superior não devem voltar a encher um cilindro enquanto recebem um tratamento de oxigénio suplementar do concentrador de oxigénio. Se o concentrador não estiver nos intervalos indicados na tabela, consulte o manual de utilização ou contacte o seu fornecedor.

2. Defina a taxa de fluxo do concentrador para o paciente com uma das seguintes configurações. Consulte o Manual de Utilização do concentrador.

- 2,5 l/min ou abaixo para modelos de 5 l
- 5 l/min ou abaixo para modelos de 9 l

 Os concentradores não pertencentes à Invacare podem necessitar de taxas de fluxo de saída inferiores para o paciente de modo a fornecerem níveis de oxigénio iguais ou superiores a 90% para o compressor HomeFill.

3. Certifique-se de que o cilindro está ligado ao compressor. Consulte o tópico Ligar o cilindro ao compressor nesta secção do manual.
4. Prima o interruptor de alimentação **(B)** no painel de controlo para a posição de ligado (I).
5. Examine o painel de controlo **(B)**. Deve ocorrer a seguinte sequência de eventos:
 - a. 0-3 minuto - A luz (AMARELA) **(C)** indicadora de O₂ abaixo do normal estará acesa enquanto o compressor estiver a aquecer.
 - b. Após três minutos - A luz de ENCHIMENTO (VERDE) **(D)** estará acesa enquanto o cilindro estiver a encher.
 - c. A luz de CHEIO (VERDE) **(E)** acende-se quando o cilindro acabar de encher. Avance para o PASSO 6.

 A luz (AMARELA) de O₂ ABAIXO DO NORMAL pode acender-se se o nível do oxigénio do concentrador ainda não tiver sido alcançado ou cair abaixo de 90%. O compressor começa ou retoma o enchimento se o nível do oxigénio atingir 90%. Se a luz não se apagar nos próximos 10 minutos, consulte a secção Resolução de problemas deste manual. Se a luz de ATENÇÃO (VERMELHA) se acender e ouvir um alarme **(F)**, consulte a secção Resolução de problemas deste manual.

6. Retire o cilindro cheio. Consulte o tópico Desligar o cilindro do compressor, nesta secção do manual.
7. Prima o interruptor de alimentação para a posição de desligado (O).



Para obter informações sobre o funcionamento e utilização do cilindro, consulte o Manual de Utilização específico da unidade do cilindro/regulador.

5 Manutenção

5.1 Informações sobre manutenção



PERIGO!

Risco de choque elétrico

Esta unidade contém componentes móveis e de alta pressão. Não inclui peças passíveis de assistência pelo utilizador dentro da tampa. Para evitar um choque elétrico, lesões ou morte:

- NÃO retire a tampa.
- Reencaminhe a reparação para técnicos de assistência qualificados.



ADVERTÊNCIA!

– O operador só deve manusear as peças e efetuar os procedimentos identificados nesta secção. Todas as outras peças e procedimentos são da exclusiva competência de um técnico qualificado.

5.2 Desgaste

A Invacare reserva o direito de solicitar a devolução de qualquer produto que apresente um alegado defeito de fabrico. Para obter informações específicas da garantia, consulte a garantia contida neste manual.

Consulte os procedimentos incluídos neste Manual de Utilização para obter o programa adequado de manutenção preventiva e utilização do produto.

Estas são apenas diretrizes gerais e não incluem os produtos danificados devido a utilização abusiva e indevida. A vida útil depende de muitos fatores.

Os itens e componentes deste produto que sofrem desgaste natural são listados abaixo.

- Todos os tipos de filtro
- Todos os tipos de tubo

5.3 Vida útil

A vida útil prevista deste produto é de 5 anos ou 5000 horas de funcionamento, quando o mesmo é utilizado em conformidade com as instruções de segurança, intervalos de manutenção e utilização correta indicados neste manual. A vida útil efetiva pode variar de acordo com a frequência e a intensidade de utilização. A manutenção deverá ser feita pelo menos uma vez por semana.

5.4 Limpar o filtro do compressor




ADVERTÊNCIA!

- Prima o interruptor de alimentação para a posição de desligado (O) e desligue o compressor antes de o limpar.
- NÃO utilize o compressor sem o filtro instalado.

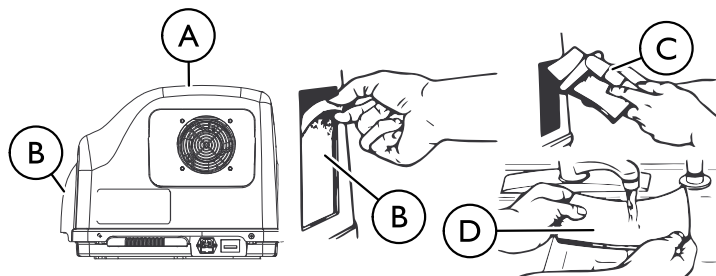


ATENÇÃO!

- Não desligue puxando pelo cabo. Para desligar, agarre na ficha e não no cabo, caso contrário podem ocorrer danos.

 Todos os compressores têm um filtro atrás do compartimento.

Execute este procedimento pelo menos uma vez por semana.



1. Desligue o compressor **A**. Agarre na ficha e não no cabo.
2. Retire o filtro **B**.
3. Limpe o filtro com um aspirador **C** ou lave em água com sabão tépida e enxague bem **D**.
4. Seque bem o filtro antes da reinstalação.

5.5 Limpar o compartimento



PERIGO!

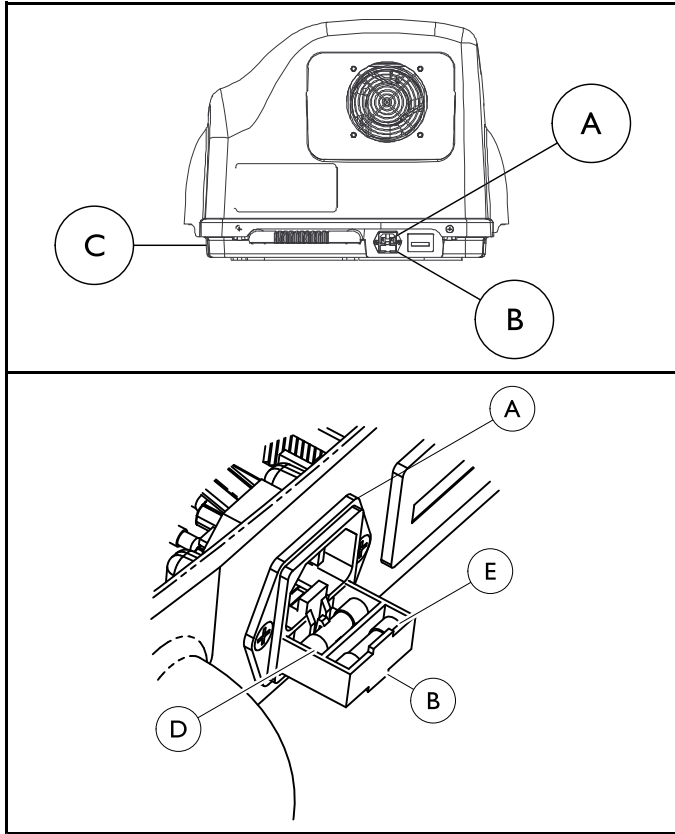
Risco de choque elétrico

Esta unidade contém componentes móveis e de alta pressão. Não inclui peças passíveis de assistência pelo utilizador dentro da tampa. Para evitar um choque elétrico, lesões ou morte:

- NÃO retire a tampa.
- Reencaminhe a reparação para técnicos de assistência qualificados.

1. Limpe o compartimento com um produto de limpeza doméstica suave e um pano ou uma esponja não abrasiva.

5.6 Substituir o fusível



1. Desligue o cabo de alimentação da tomada elétrica.
2. Retire o cabo de alimentação da entrada de alimentação **(A)** na base do compressor **(C)**.

1195663-C

3. Puxe a gaveta de fusíveis **(B)** na parte inferior da entrada de alimentação para fora.
4. Utilizando um saca-fusível ou uma pequena chave de parafusos de lâmina plana, retire o fusível da frente da gaveta de fusíveis e elimine-o.

i A gaveta de fusíveis contém espaço para dois fusíveis. A localização da frente destina-se ao fusível operacional. A unidade é fornecida apenas com o fusível da frente. A localização de trás destina-se a um fusível sobresselente opcional. Quando substituir o fusível da frente, certifique-se de que se trata de um fusível sobresselente com o mesmo tipo e classificação indicada na gaveta de fusíveis.

5. Instale o fusível de substituição na ranhura do fusível da frente **(D)**.

i Utilize apenas um fusível com 5 mm x 20 mm, intervalo de tempo lento, baixa capacidade de corte, 250 V, 2 Amp e estilo IEC 60127 (número de peça da Invacare 1099820).
6. Empurre a gaveta de fusíveis novamente para dentro da entrada de alimentação.
7. Instale o cabo de alimentação na entrada de alimentação na base do compressor.
8. Ligue o cabo de alimentação à tomada elétrica.
9. Prima o interruptor de alimentação para a posição de ligado **(I)** e verifique se a unidade liga corretamente.
10. Se a unidade não ligar, desligue o interruptor de alimentação, desligue o cabo de alimentação e contacte o seu revendedor, fornecedor ou a Invacare para obter assistência.

6 Após a utilização

6.1 Eliminação

Este produto foi produzido por um fabricante ambientalmente responsável, em conformidade com a diretiva relativa a resíduos de equipamento elétrico e eletrónico 2012/19/UE (REEE).

Este produto pode conter substâncias que podem ser prejudiciais para o ambiente, se for eliminado em locais (aterros) que não estejam em conformidade com a legislação.

O símbolo "caixote do lixo barrado com uma cruz" está apostado neste produto para encorajar a reciclagem quando possível.

Siga os regulamentos locais e planos de reciclagem relativos à eliminação do dispositivo ou de componentes utilizados normalmente durante o funcionamento. O dispositivo não gera detritos nem resíduos durante o funcionamento. NÃO elimine o dispositivo pelo fluxo de resíduos normal. Todos os acessórios que não façam parte do dispositivo DEVEM ser manipulados em conformidade com os sinais individuais do produto sobre eliminação.

Seja amigo do ambiente e recicle este produto no fim da respetiva vida útil. Contacte a Invacare ou o seu fornecedor de serviços para obter informações de reciclagem do produto.

7 Resolução de problemas

7.1 Luzes indicadoras

Cor da luz indicadora	Estado do compressor	Efeito
Nenhum	O compressor está desligado.	O O ₂ flui para o utilizador se o concentrador estiver ligado.
O ₂ ABAIXO DO NORMAL - AMARELO	O compressor está ligado e a aquecer (0-3 minutos depois de ligar a alimentação).	Não foi iniciado o enchimento do cilindro.
		O O ₂ flui para o utilizador se o concentrador estiver ligado.
	O O ₂ do concentrador é inferior a 90% (em qualquer altura após três minutos de aquecimento).	O enchimento do cilindro para, reiniciando quando o O ₂ é superior a 90%.
		O O ₂ flui para o utilizador se o concentrador estiver ligado.
ENCHIMENTO - VERDE	O compressor está ligado e o cilindro está a encher. O O ₂ do concentrador é superior a 90% (em qualquer altura após três minutos de aquecimento).	O cilindro está a encher.
		O O ₂ flui para o utilizador se o concentrador estiver ligado.

Cor da luz indicadora	Estado do compressor	Efeito
CHEIO - VERDE	<p>O compressor está ligado. O cilindro acabou de encher (cheio) - retire o cilindro (a luz de CHEIO acende-se em > 10 min).</p> <p>ou</p> <p>O cilindro não está corretamente ligado - verifique a ligação (a luz de CHEIO acende-se em < 10 min).</p>	<p>O enchimento do cilindro para.</p> <p>Não é possível encher outro cilindro enquanto o compressor não for desligado e ligado novamente.</p> <p>O O₂ flui para o utilizador se o concentrador estiver ligado.</p>
ATENÇÃO - VERMELHO (alarme sonoro)	<p>O compressor está ligado. O cilindro NÃO está a encher. Causas:</p> <p>O cilindro estava cheio quando a unidade foi ligada - substituir por um cilindro vazio</p> <p>ou</p> <p>Falha interna - contacte o fornecedor.</p>	<p>O compressor não inicia ou para de encher.</p> <p>A unidade deve ser desligada e ligada para conseguir encher.</p> <p>O O₂ flui para o utilizador se o concentrador estiver ligado.</p>


7.2 Resolução de problemas

Problema	Solução
As luzes indicadoras não acendem quando o compressor é ligado.	<ol style="list-style-type: none"> 1. Desligue o compressor (O). 2. Verifique se o cabo de alimentação está corretamente ligado ao compressor e à tomada de parede. 3. Ligue o compressor (I). 4. Limpe os filtros de ar. Consulte o tópico Limpar o filtro do compressor na secção Manutenção do manual. 5. Se a execução dos Passos 1-4 não acender qualquer luz indicadora, contacte o seu prestador de cuidados de saúde ao domicílio ou a Invacare para assistência.
Luz VERMELHA acesa	<ol style="list-style-type: none"> 1. Verifique o indicador do cilindro, para ver se está cheio: <ul style="list-style-type: none"> • Cilindro cheio - Retire o cilindro e desligue a unidade. Para um cilindro que não está cheio, realize a Inspeção de pré-enchimento do cilindro indicada na secção Utilização do manual. • Cilindro não cheio - Avance para o passo 2. 2. Verifique se o cilindro está ligado corretamente. <ul style="list-style-type: none"> • Desligue o compressor (O). • Retire o cilindro e volte a instalá-lo. • Ligue o compressor (I). Se o cilindro não estiver cheio e estiver ligado corretamente, o compressor pode ter uma falha interna. Contacte o seu prestador de cuidados de saúde ao domicílio ou a Invacare.

Problema	Solução
<p>O compressor liga-se e desliga-se</p> <p>ou</p> <p>A luz de O₂ abaixo do normal (amarela) e a luz de enchimento (verde) alternam</p> <p>ou</p> <p>A luz de O₂ abaixo do normal (amarela) acende-se e apaga-se</p>	<ol style="list-style-type: none"> 1. Verifique se a definição de débito de litro do concentrador está a ou abaixo da definição de débito indicada em 4.5 <i>Ligar e desligar o compressor, página 294</i>. Se necessário, ajuste a definição de fluxo em litros (consulte o Manual de utilização do concentrador). Aguarde pelo menos 20 minutos até a luz VERDE aparecer. Se não aparecer, avance para o passo 2. 2. O concentrador pode requerer assistência; contacte o seu prestador de cuidados de saúde ao domicílio ou a Invacare.
<p>A luz de O₂ abaixo do normal (AMARELA) permanece acesa</p>	<ol style="list-style-type: none"> 1. Certifique-se de que o concentrador aqueceu pelo menos 20 minutos. Se não tiverem passado 20 minutos, desligue o compressor até o concentrador aquecer. Se a luz AMARELA continuar acesa, avance para o passo 2. 2. Inspeccione a ligação entre o compressor e o concentrador para verificar a existência de danos ou trilhadas. <ul style="list-style-type: none"> • Se estiver danificada, substitua-a. • Se estiver trilhada, endireite a tubagem. Desligue o compressor (O) durante, pelo menos, 10 segundos. Ligue o compressor (I). Se a luz AMARELA continuar acesa passados 10 minutos, avance para o passo 3. 3. O concentrador pode requerer assistência; contacte o seu prestador de cuidados de saúde ao domicílio ou a Invacare.

Problema	Solução
Os tempos de enchimento excedem os tempos máximos recomendados OU a luz de enchimento VERDE continua acesa.	<ol style="list-style-type: none"> 1. Certifique-se de que o regulador do cilindro está desligado (O). 2. Verifique os tempos de enchimento recomendados indicados no manual do cilindro específico. 3. Verifique se o cilindro está ligado corretamente. Desligue o compressor (O). Retire o cilindro e volte a instalá-lo. Ligue o compressor (I). 4. Verifique se a linha do compressor/concentrador apresenta uma ligação correta e/ou danos (ou seja, fugas ou dobras). 5. Verifique se a definição de débito de litro do concentrador está a ou abaixo da definição de débito indicada em <i>4.5 Ligar e desligar o compressor, página 294</i>. Se necessário, ajuste a definição de fluxo em litros (consulte o Manual de utilização do concentrador). Se a luz VERDE de enchimento não se desligar, o compressor e/ou o concentrador podem requerer assistência. Contacte o seu prestador de cuidados de saúde ao domicílio ou a Invacare.
Ruído excessivo quando o compressor está ligado	<ol style="list-style-type: none"> 1. Contacte o seu prestador de cuidados de saúde ao domicílio ou a Invacare para assistência.

Problema	Solução
Som sibilante do regulador quando o seletor de fluxo está desligado	<ol style="list-style-type: none">1. Desligue o seletor de fluxo.2. Se os sons sibilantes continuarem, contacte o seu prestador de cuidados de saúde ao domicílio ou a Invacare.
O regulador está ligado, mas o O ₂ não está a ser fornecido	<ol style="list-style-type: none">1. Reencha o cilindro2. Verifique se a cânula está direita e não comprimida. Se estiver danificada, substitua-a.3. Contacte o seu prestador de cuidados de saúde ao domicílio ou a Invacare para assistência.

 Para obter os tempos de enchimento adequados, consulte o manual do cilindro.

Os tempos de enchimento são aproximados e podem variar consoante as condições ambientais.

8 Características Técnicas

8.1 Descrição técnica

O Sistema de oxigénio HomeFill II (IOH200AW) é um sistema de prescrição eletromecânica para utilização ao domicílio. A sua função e utilização prevista é o fornecimento de oxigénio pressurizado para encher cilindros de gás propriedade da Invacare para uso ambulatorial, enquanto o paciente recebe oxigénio terapêutico de um concentrador de oxigénio. O sistema de gás IOH200AW foi concebido para utilização com concentradores de oxigénio que cumprem as especificações de entrada em termos de pureza do oxigénio, fluxo e pressão.

O Sistema de oxigénio HomeFill II consiste num compressor de gás IOH200AW, numa tubagem de ligação e em cilindros portáteis de gás fornecidos pela Invacare com o regulador de fluxo integral e o encaixe de engate para enchimento.

O compressor IOH200AW consiste num compressor multifásico, reservatório interno, sistema de controlo elétrico com um sensor de concentração de oxigénio integral, encaixe de engate para enchimento, encaixe de entrada e motor de tração. A operação do compressor controlada pela parte elétrica. O motor/compressor pode encher um cilindro quando a concentração de oxigénio do fluxo de gás de entrada for superior a 90% e a pressão do cilindro ainda não for superior a 1500 PSI (10.342 kPa). A operação de enchimento do motor/compressor está concluída quando o gás num cilindro atinge a pressão de enchimento máxima de 2000 PSI (13.786 kPa).

O compressor IOH200AW pode encher cilindros para uso portátil por pacientes em ambulatório. Os cilindros portáteis de gás fornecidos pela Invacare possuem um encaixe de engate para enchimento que se adapta apenas à unidade de compressão Invacare IOH200AW. O cilindro de gás também contém um regulador de fluxo integral com definições de fluxo fixas e selecionáveis.

8.2 Tempos de enchimento dos cilindros

TEMPOS DE ENCHIMENTO DOS CILINDROS	Taxa de fluxo do concentrador para o paciente:	
	Modelos de 5 l até 2,5 l/min. Modelos de 9 l até 5 l/min.	
	HF2PCE9A	HF2PCE6
NORMAL	2 h 20 min	1 h 25 min
MÁXIMO	2 h 45 min	1 h 50 min



Os tempos de enchimento típicos partem do princípio de que os requisitos de entrada são cumpridos.

Os tempos de enchimento podem variar consoante as condições ambientais.

8.3 Especificações

Lista de normas

Lista de normas:	EN/IEC 60601-1
	EN/IEC 60601-1-2

Especificações de entrada

Pressão de entrada necessária:	5 – 25 psi (34,5 – 172,4 kPa)
Fluxo de entrada necessário:	2 l/min
Pureza do oxigénio de entrada:	> 90% O ₂

Especificações gerais

Classificações elétricas:	230 V~, 1,0 A, 50 Hz
Condições ambientais de funcionamento:	5 a 40 °C (41 a 104 °F) com 15 a 60% de humidade não condensada
Pressão atmosférica:	700 a 1060 hPa
Armazenamento e transporte:	-23 a 70 °C (-25 a 158 °F) com 15 a 95% de humidade não condensada.
Largura:	51,44 cm (20 ¼ polegadas)
Altura:	38,1 cm (15 polegadas)
Profundidade:	40,64 cm (16 polegadas)

Peso:	14,97 kg (33 lb)
Peso de envio:	17,69 kg (39 lb)

8.4 Compatibilidade eletromagnética (EMC)

Diretrizes e declaração do fabricante — emissões eletromagnéticas

O Dispositivo destina-se a ser utilizado no ambiente eletromagnético descrito abaixo. O cliente ou o utilizador do Dispositivo deverá assegurar a sua utilização nesse ambiente.

Teste de emissões	Compatibilidade	Ambiente eletromagnético – diretrizes
Emissões de RF CISPR 11	Grupo I	O Dispositivo só utiliza energia RF para seu funcionamento interno. Logo, as emissões RF são muito baixas e não deverão causar interferências com o equipamento eletrônico circundante. O dispositivo adequa-se a utilização em todos os estabelecimentos, incluindo zonas residenciais e aqueles diretamente ligados à rede pública de alimentação de baixa tensão que abastece edifícios para fins habitacionais.
Emissões de RF CISPR 11	Classe B	
Emissões de harmónicos IEC 61000-3-2	Classe A	
Variações de tensão / emissões de tremulação IEC 61000-3-3	Em conformidade	


Diretrizes e declaração do fabricante — imunidade eletromagnética

O Dispositivo destina-se a ser utilizado no ambiente eletromagnético descrito abaixo. O cliente ou o utilizador do Dispositivo deverá assegurar a sua utilização nesse ambiente.

Teste de imunidade	Nível de teste IEC 60601	Nível de conformidade	Ambiente eletromagnético – diretrizes
Descarga electroestática (ESD) IEC 61000-4-2	± 2, 4, 8 kV de contacto ± 2, 4, 8, 15 kV no ar	± 2, 4, 8 kV de contacto ± 2, 4, 8, 15 kV no ar	O pavimento deve ser de madeira, betão ou mosaico cerâmico. Se o pavimento estiver revestido com material sintético, a humidade relativa deverá ser de pelo menos 30%.

Surto/transiente elétrico rápido IEC 61000-4-4	± 2 kV de alimentação, 100 kHz	± 2 kV de alimentação, 100 kHz	A qualidade da alimentação deverá corresponder a um ambiente comercial ou hospitalar típico.
Sobretensão IEC 61000-4-5	± 1 kV linha(s) para linha(s) ± 2 kV linha(s) para terra	± 1 kV linha(s) para linha(s) ± 2 kV linha(s) para terra	A qualidade da alimentação deverá corresponder a um ambiente comercial ou hospitalar típico.
Quedas de tensão IEC 61000-4-11	$0\% U_T$; ciclo de 1/2 a 0° , 45° , 90° , 135° , 180° , 225° , 270° e 315° e $0\% U_T$; 1 ciclo e $70\% U_T$; 25/30 ciclos monofásico: a 0°	$0\% U_T$; ciclo de 1/2 a 0° , 45° , 90° , 135° , 180° , 225° , 270° e 315° e $0\% U_T$; 1 ciclo e $70\% U_T$; 25/30 ciclos monofásico: a 0°	A qualidade da alimentação deverá corresponder a um ambiente comercial ou hospitalar típico. Se o utilizador do Dispositivo necessitar de um funcionamento contínuo durante as interrupções da alimentação, recomenda-se que o Dispositivo seja alimentado a partir de uma fonte de alimentação ininterrupta ou de uma bateria. U_T é a tensão da rede CA antes da aplicação do nível de teste.
Interrupções de tensão IEC 61000-4-11	$0\% U_T$; 250/300 ciclos	$0\% U_T$; 250/300 ciclos	A qualidade da alimentação deverá corresponder a um ambiente comercial ou hospitalar típico. Se o utilizador do Dispositivo necessitar de um funcionamento contínuo durante as interrupções da alimentação, recomenda-se que o Dispositivo seja alimentado a partir de uma fonte de alimentação ininterrupta ou de uma bateria. U_T é a tensão da rede CA antes da aplicação do nível de teste.

Campo magnético da frequência da alimentação (50/60 Hz) IEC 61000-4-8	30 A/m, 50/60 Hz	30 A/m, 50/60 Hz	Os campos magnéticos da frequência de alimentação deverão estar a níveis característicos próprios de um ambiente comercial ou hospitalar.
--	------------------	------------------	---

<p>RF conduzida IEC 61000-4-6</p>	<p>3 Vrms, 6 Vrms</p>	<p>3 Vrms, 6 Vrms</p>	<p>Não devem ser utilizados instrumentos de comunicação por RF portáteis ou móveis junto de qualquer parte do Dispositivo, incluindo cabos, a uma distância inferior à distância de separação recomendada calculada a partir da equação aplicável à frequência do transmissor.</p> <p>Distância de separação recomendada:</p> <p>$d = 1,2 \sqrt{P}$ 150 kHz a 80 MHz</p>
<p>RF irradiada IEC 61000-4-3</p>	<p>10 V/m</p>	<p>10 V/m</p>	<p>$d = 0,35 \sqrt{P}$ 80 MHz a 800 MHz $d = 0,7 \sqrt{P}$ 800 MHz a 2,5 GHz</p> <p>em que P é a potência nominal de saída máxima do transmissor em watts (W) de acordo com o fabricante do mesmo e d é a distância de separação recomendada em metros (m).</p> <p>As intensidades de campo dos transmissores de RF fixos, tal como determinado pelo levantamento eletromagnético do local, ^a deverão ser inferiores ao nível de conformidade em cada gama de frequências.^b</p> <p>Podem ocorrer interferências nas proximidades de equipamento assinalado com o seguinte símbolo:</p> 

^a As intensidades de campo de transmissores fixos, tais como estações de base para radiotelefonos (telemóveis/sem fios) e rádios móveis terrestres, radioamador, transmissão de rádio AM e FM ou TV não podem ser previstas teoricamente com exatidão. Para avaliar o ambiente eletromagnético derivado dos transmissores de RF fixos, deve ser considerada um levantamento eletromagnético do local. Se a intensidade de campo medida na localização onde o Dispositivo é utilizado exceder o nível de conformidade de RF aplicável acima, o Dispositivo deverá ser monitorizado para conferir o seu funcionamento normal. Se for observado um desempenho anormal, serão necessárias medidas adicionais, tais como reorientar ou mudar o Dispositivo de local.

^b Acima da gama de frequências de 150 kHz a 80 MHz, as intensidades de campo deverão ser inferiores a $[V1]$ V/m.

A 80 MHz e 800 MHz, aplica-se a gama de frequências mais elevada.

Distâncias de separação recomendadas entre os instrumentos de comunicações por RF portáteis e móveis e o Dispositivo

O Dispositivo destina-se a utilização num ambiente eletromagnético no qual as perturbações de RF irradiada são controladas. O cliente ou o utilizador do Dispositivo pode ajudar a prevenir a interferência eletromagnética mantendo uma distância mínima entre os equipamentos de comunicação RF portáteis e móveis (transmissores) e o Dispositivo, tal como recomendado abaixo, de acordo com a potência de saída máxima do equipamento de comunicação.

Potência nominal máxima do transmissor [W]	Distância de separação de acordo com a frequência do transmissor [m]		
	150 kHz a 80 MHz $d = 1,2 \sqrt{P}$	80 MHz a 800 MHz $d = 0,35 \sqrt{P}$	800 MHz a 2,5 GHz $d = 0,7 \sqrt{P}$
0,01	0,12	0,04	0,07
0,1	0,37	0,11	0,22
1	1,17	0,35	0,70
10	3,69	1,11	2,21
100	11,67	3,50	7,00

Para transmissores com uma potência nominal de saída máxima não listada acima, a distância de separação recomendada d em metros (m) pode ser calculada utilizando a equação aplicável à frequência do transmissor, em que P é a potência nominal de saída máxima do transmissor em watts (W) indicada pelo fabricante.

A 80 MHz e 800 MHz, aplica-se a distância de separação para a gama de frequências mais elevada.



Estas diretrizes podem não se aplicar a todas as situações. A propagação eletromagnética é afetada pela absorção e reflexão em estruturas, objetos e pessoas.

Belgium & Luxemburg	Invacare nv, Autobaan 22, B-8210 Loppem • Tel: (32) (0) 50 83 10 10 • Fax: (32) (0) 50 83 10 11 • belgium@invacare.com • www.invacare.be
Danmark	Invacare A/S, Sdr. Ringvej 37, DK-2605 Brøndby • Tel: (45) (0)36 90 00 00 • Fax: (45) (0)36 90 00 01 • denmark@invacare.com • www.invacare.dk
Deutschland	Invacare GmbH, Alemannenstraße 10, D-88316 Isny • Tel: (49) (0)75 62 7 00 0 • Fax: (49) (0)75 62 7 00 66 • kontakt@invacare.com • www.invacare.de
Eastern Europe, Middle East & CIS	Invacare EU Export • Kleiststraße 49 • D-32457 Porta Westfalica • Germany • Tel: (49) 5731 754540 • Fax: (49) 5731 754541 • webinfo-eu-export@invacare.com • www.invacare-eu-export.com
España	Invacare SA, c/Areny s/n, Polígon Industrial de Celrà, E-17460 Celrà (Girona) • Tel: (34) (0)972 49 32 00 • Fax: (34) (0)972 49 32 20 • contactsp@invacare.com • www.invacare.es
France	Invacare Poirier SAS, Route de St Roch, F-37230 Fondettes • Tel: (33) (0)2 47 62 64 66 • Fax: (33) (0)2 47 42 12 24 • contactfr@invacare.com • www.invacare.fr
Ireland	Invacare Ireland Ltd, Unit 5 Seatown Business Campus • Seatown Road, Swords, County Dublin – Ireland • Tel: (353) 1 810 7084 • Fax: (353) 1 810 7085 • ireland@invacare.com • www.invacare.ie
Italia	Invacare Mecc San s.r.l., Via dei Pini 62, I-36016 Thiene (VI) • Tel: (39) 0445 38 00 59 • Fax: (39) 0445 38 00 34 • italia@invacare.com • www.invacare.it
Nederland	Invacare BV, Galvanistraat 14-3, NL-6716 AE Ede • Tel: (31) (0)318 695 757 • Fax: (31) (0)318 695 758 • nederland@invacare.com • csede@invacare.com • www.invacare.nl
Norge	Invacare AS, Grensesvingen 9, Postboks 6230, Etterstad, N-0603 Oslo • Tel: (47) (0)22 57 95 00 • Fax: (47) (0)22 57 95 01 • norway@invacare.com • island@invacare.com • www.invacare.no
Österreich	Invacare Austria GmbH, Herzog Odilostrasse 101, A-5310 Mondsee • Tel: (43) 6232 5535 0 • Fax: (43) 6232 5535 4 • info@invacare-austria.com • www.invacare.at
Portugal	Invacare Lda • Rua Estrada Velha, 949, P-4465-784 Leça do Balio • Tel: (351) (0)225 1059 46/47 • Fax: (351) (0)225 1057 39 • portugal@invacare.com • www.invacare.pt
Sverige	Invacare AB • Fagerstagatan 9 • S-163 53 Spånga • Tel: (46) (0)8 761 70 90 • Fax: (46) (0)8 761 81 08 • sweden@invacare.com • www.invacare.se
Suomi	Camp Mobility • Patamäenkatu 5, 33900 Tampere • Tel: 09-350 76 310 • info@campmobility.fi • www.campmobility.fi
Schweiz/Suisse/Svizzera	Invacare AG • Benkenstrasse 260 • CH-4108 Witterswil • Tel.: (41) (0)61 487 70 80 • Fax.: (41) (0)61 487 70 81 • switzerland@invacare.com • www.invacare.ch
United Kingdom	Invacare Limited, Pencoed Technology Park, Pencoed, Bridgend CF35 5HZ • Tel: (44) (0) 1656 776222 • Fax: (44) (0) 1656 776220 • UK@invacare.com • www.invacare.co.uk

Invacare Corporation

USA

One Invacare Way
Elyria, Ohio USA
44035

440-329-6000
800-333-6900

Technical Services
440-329-6593
800-832-4707

www.invacare.com

EU Representative

Invacare GmbH
Am Achener Hof 8
88316 Isny
Germany

Manufacturer

Invacare Corporation
One Invacare Way
Elyria, Ohio 44035
USA



1195663-C 2020-07-01



Making Life's Experiences Possible®



Yes, you can.®